

| REVISIONS |     |                          |           |       |
|-----------|-----|--------------------------|-----------|-------|
| P         | LTR | DESCRIPTION              | DATE      | APVD  |
|           | Z1  | REVISE PER ECN-22-144098 | 17MAR2022 | MP MT |

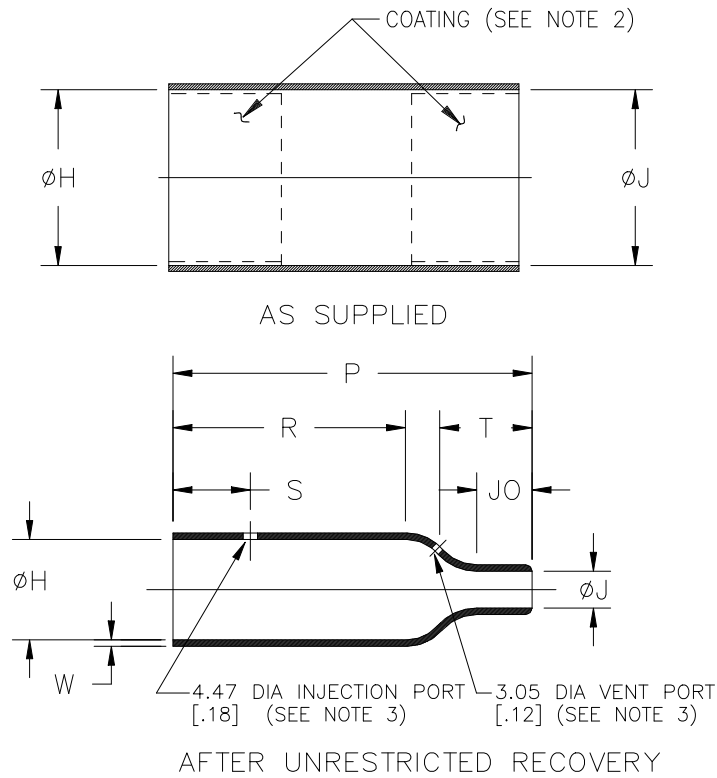


TABLE OF DIMENSIONS

| PART NUMBER | H                     |                      |                |                | J                     |                      |                |                | P<br>±10%<br>b  | R<br>±10%<br>b  | S<br>Ref<br>b  | T<br>Ref<br>b  | JO<br>Ref<br>b | W<br>±20%<br>b |
|-------------|-----------------------|----------------------|----------------|----------------|-----------------------|----------------------|----------------|----------------|-----------------|-----------------|----------------|----------------|----------------|----------------|
|             | Min<br>-3,-4,-25<br>a | Min<br>-12,-100<br>a | Min<br>-6<br>a | Max<br>b       | Min<br>-3,-4,-25<br>a | Min<br>-12,-100<br>a | Min<br>a       | Max<br>b       |                 |                 |                |                |                |                |
| 202A111     | 16.5<br>[.65]         | 16.5<br>[.65]        | 16.5<br>[.65]  | 7.9<br>[.31]   | 16.5<br>[.65]         | 11.9<br>[.47]        | 16.5<br>[.65]  | 3.8<br>[.15]   | 25.4<br>[1.00]  | 14.2<br>[.56]   | 12.7<br>[.50]  | N/A            | 5.8<br>[.23]   | 1.27<br>[.05]  |
| 202A121     | 24.6<br>[.97]         | 22.6<br>[.89]        | 23.4<br>[.92]  | 9.9<br>[.39]   | 24.6<br>[.97]         | 17.8<br>[.70]        | 23.4<br>[.92]  | 5.3<br>[.21]   | 38.1<br>[1.50]  | 21.8<br>[.86]   | 15.2<br>[.60]  | N/A            | 9.1<br>[.36]   | 1.52<br>[.06]  |
| 202A132     | 28.4<br>[1.12]        | 26.2<br>[1.03]       | 26.7<br>[1.05] | 14.2<br>[.56]  | 28.4<br>[1.12]        | 20.3<br>[.80]        | 26.7<br>[1.05] | 6.6<br>[.26]   | 51.3<br>[2.02]  | 27.9<br>[1.10]  | 19.1<br>[.75]  | 16.0<br>[.63]  | 13.0<br>[.51]  | 1.78<br>[.07]  |
| 202A142     | 31.0<br>[1.22]        | 31.0<br>[1.22]       | 31.0<br>[1.22] | 17.8<br>[.70]  | 31.0<br>[1.22]        | 25.4<br>[1.00]       | 31.0<br>[1.22] | 7.4<br>[.29]   | 66.8<br>[2.63]  | 35.6<br>[1.40]  | 19.1<br>[.75]  | 22.1<br>[.87]  | 17.8<br>[.70]  | 1.78<br>[.07]  |
| 202A153     | 36.0<br>[1.42]        | 36.0<br>[1.42]       | 36.0<br>[1.42] | 21.9<br>[.86]  | 36.0<br>[1.42]        | 26.2<br>[1.03]       | 36.0<br>[1.42] | 8.6<br>[.34]   | 73.7<br>[2.90]  | 41.4<br>[1.63]  | 19.1<br>[.75]  | 22.1<br>[.87]  | 16.0<br>[.63]  | 1.78<br>[.07]  |
| 202A163     | 42.7<br>[1.68]        | 42.7<br>[1.68]       | 42.7<br>[1.68] | 27.4<br>[1.08] | 42.7<br>[1.68]        | 27.2<br>[1.07]       | 42.7<br>[1.68] | 9.4<br>[.37]   | 99.1<br>[3.90]  | 62.7<br>[2.47]  | 19.1<br>[.75]  | 25.2<br>[.99]  | 18.0<br>[.71]  | 2.03<br>[.08]  |
| 202A174     | 51.8<br>[2.04]        | 48.3<br>[1.90]       | 51.8<br>[2.04] | 35.3<br>[1.39] | 51.8<br>[2.04]        | 48.3<br>[1.90]       | 51.8<br>[2.04] | 16.0<br>[.63]  | 130.3<br>[5.13] | 64.8<br>[2.55]  | 25.4<br>[1.00] | 50.8<br>[2.00] | 41.9<br>[1.65] | 3.30<br>[.13]  |
| 202A185     | 66.0<br>[2.60]        | 66.0<br>[2.60]       | 66.0<br>[2.60] | 43.7<br>[1.72] | 66.0<br>[2.60]        | 54.1<br>[2.13]       | 66.0<br>[2.60] | 19.6<br>[.77]  | 161.3<br>[6.35] | 90.2<br>[3.55]  | 25.4<br>[1.00] | 54.6<br>[2.15] | 47.8<br>[1.88] | 3.81<br>[.15]  |
| 202A196     | 86.4<br>[3.40]        | 86.4<br>[3.40]       | 86.4<br>[3.40] | 57.2<br>[2.25] | 86.4<br>[3.40]        | 71.4<br>[2.81]       | 86.4<br>[3.40] | 26.9<br>[1.06] | 212.6<br>[8.37] | 113.0<br>[4.45] | 25.4<br>[1.00] | 80.0<br>[3.15] | 62.2<br>[2.45] | 4.06<br>[.16]  |

RELEASED FOR PUBLICATION

ALL RIGHTS RESERVED.

TE Connectivity Ltd.

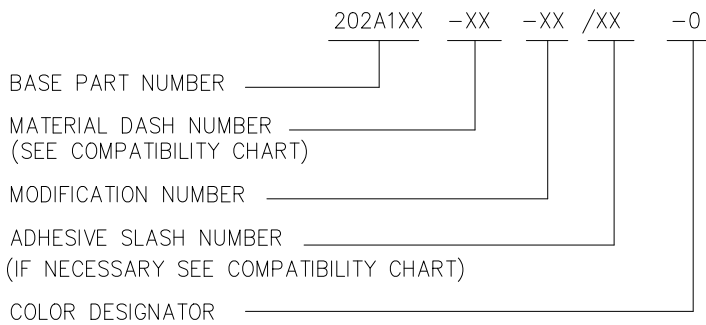
THIS DRAWING IS UNPUBLISHED.

|  |                  |           |                                      |                               |
|--|------------------|-----------|--------------------------------------|-------------------------------|
| DIMENSIONS:<br>mm [INCHES]   | DWN              | 31JAN2019 | MATERIAL                             | FINISH                        |
|  | PRAVEEN N T      |           | SEE SHEET 2                          | -                             |
| TOLERANCES UNLESS OTHERWISE SPECIFIED:   | CHK              | 31JAN2019 | TE Connectivity Ltd.                 |                               |
|  | N NAGAR          |           |                                      |                               |
| 0 PLC ± -<br>1 PLC ± 0.50[.1]<br>2 PLC ± 0.25[.01]<br>3 PLC ± 0.13[.005]<br>4 PLC ± -<br>ANGLES ± 1° | APVD             | 31JAN2019 | NAME<br>BOOT, STRAIGHT, OVEREXPANDED |                               |
|  | M TAYLOR         |           |                                      |                               |
|  | PRODUCT SPEC     | -         | SIZE                                 | RESTRICTED TO                 |
|  | APPLICATION SPEC | -         | A4                                   | -                             |
| WEIGHT   | A4               |           | CAGE CODE                            | DRAWING NO                    |
| CUSTOMER DRAWING   | 06090            |           | 202A111-XX-0THRU196-XX-0             | SCALE DNS SHEET 1 OF 2 REV Z1 |

| REVISIONS |     |             |      |     |      |
|-----------|-----|-------------|------|-----|------|
| P         | LTR | DESCRIPTION | DATE | DWN | APVD |
|           | -   | SEE SHEET 1 | -    | -   | -    |

| COMPATABILITY CHART |                                      |         |                   |                   |
|---------------------|--------------------------------------|---------|-------------------|-------------------|
| MATERIAL DASH NO.   | MATERIAL DESCRIPTION                 | RT SPEC | COATING SLASH NO. | COATING S NO.     |
| -3                  | Polyolefin, Semi-rigid               | RT-301  | /42;/86;/180      | S1017;S1048;S1030 |
| -4                  | Polyolefin, Flexible                 | RT-1304 | /42;/86;/180      | S1017;S1048;S1030 |
| -12                 | Fluoroelastomer, Flexible            | RT-1312 | N/A               | N/A               |
| -25                 | Elastomer, Fluid Resistant           | RW-2070 | /42;/86;/225      | S1017;S1048;S1206 |
| -100                | Polyolefin, Simi-flexible<br>ZEROHAL | RW-2082 | /86;/180          | S1048;S1030       |

ORDERING INFORMATION



NOTES:


- DIMENSIONS APPEARING IN TABLE ARE AS FOLLOWS:
  - a - AS SUPPLIED
  - b - AFTER UNRESTRICTED RECOVERY
- COATING (ADHESIVE) IS OPTIONAL. AS SUPPLIED DIMENSIONS APPEARING IN TABLE ARE FOR UNCOATED PARTS. WHEN COATING IS ADDED, ENTRY DIAMETER WILL BE REDUCED BY 1.5mm[.06] MAX.
- MOLDING PORTS ARE OPTIONAL. WHEN -00 MODIFICATION NUMBER IS SPECIFIED, MOLDING PORTS WILL BE LOCATED AS SHOWN.

RELEASED FOR PUBLICATION

ALL RIGHTS RESERVED.

TE Connectivity Ltd.

THIS DRAWING IS UNPUBLISHED.

|  |                                 |   |                    |
|--|---------------------------------|---|--------------------|
| DIMENSIONS:<br>mm [INCHES]             | DWN<br>PRAVEEN N T<br>31JAN2019 | MATERIAL<br>-   | FINISH<br>-        |
|  | CHK<br>N NAGAR<br>31JAN2019     |  TE Connectivity Ltd. |                    |
| TOLERANCES UNLESS OTHERWISE SPECIFIED: | APVD<br>M TAYLOR<br>31JAN2019   |   |                    |
| 0 PLC ± -                              | PRODUCT SPEC<br>-               | SIZE<br>A4  | CAGE CODE<br>06090 |
| 1 PLC ± 0.50[.1]                       | APPLICATION SPEC<br>-           | DRAWING NO<br>G-202A111-XX-0THRU196-XX-0  | RESTRICTED TO<br>- |
| 2 PLC ± 0.25[.01]                      | WEIGHT                          | CUSTOMER DRAWING  |                    |
| 3 PLC ± 0.13[.005]                     |                                 | SCALE<br>DNS  | SHEET<br>2 OF 2    |
| 4 PLC ± -                              |                                 | REV<br>Z1   |                    |
| ANGLES ± 1°                            |                                 |   |                    |

