

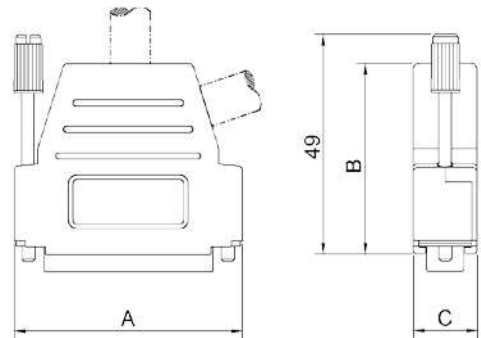
TECHNICAL SPECIFICATIONS

D-Sub Hood:

Material: Zinc, Nickel Plated
 Operating Temperature: -45°C to + 105°C
 Cable Entry: Top and Side Entry
 Thumbscrews: UNC 4-40 (Standard)
 Cable O.D.: 9-Way: Up to 9,5mm
 15-Way: Up to 9,5mm
 25-Way: Up to 9,5mm

Male D-Sub Solder Cup:

Insulator: PBT, Black, UL94 V-0
 Shell: Steel, Tin Plated
 Contact pins: Copper Alloy
 Stamped & Formed Pins: Class 3, 100 inserts min.
 Machined Contact Pins: Class 1, 500 inserts min.
 Contact Plating: Selective Gold over Nickel
 Operating Temperature: -55°C to +105°C
 Withstanding voltage: 1000V for 1 minute
 Insulator resistance: 1000MΩ min.



Features:

- Available in sizes 9-15-25
- Excellent EMI Shielding
- Re-openable
- Spring-Clip mounted Jackscrews

Size DSSK-M	Dim A	Dim B	Dim C
9-way	31,5	40,0	15,0
15-way	40,0	40,0	15,0
25-way	53,5	43,0	15,0

Ordering information - Black Insulator:

Size:	P/N - Kitted:	Class 3 - 100 inserts min.
9-way	6355-0084-01	DSSK09-M-DBP-K
15-way	6355-0084-02	DSSK15-M-DBP-K
25-way	6355-0084-03	DSSK25-M-DBP-K

Size:	P/N - Kitted:	Class 1 - 500 inserts min.
9-way	6355-0084-21	DSSK09-M-DMP-K
15-way	6355-0084-22	DSSK15-M-DMP-K
25-way	6355-0084-23	DSSK25-M-DMP-K

Ordering information - White Insulator:

Size:	P/N - Kitted:	Class 3 - 100 inserts min.
9-way	6355-8084-01	DSSK09-M-DBP-W-K
15-way	6355-8084-02	DSSK15-M-DBP-W-K
25-way	6355-8084-03	DSSK25-M-DBP-W-K

Size:	P/N - Kitted:	Class 1 - 500 inserts min.
9-way	6355-8084-21	DSSK09-M-DMP-W-K
15-way	6355-8084-22	DSSK15-M-DMP-W-K
25-way	6355-8084-23	DSSK25-M-DMP-W-K

