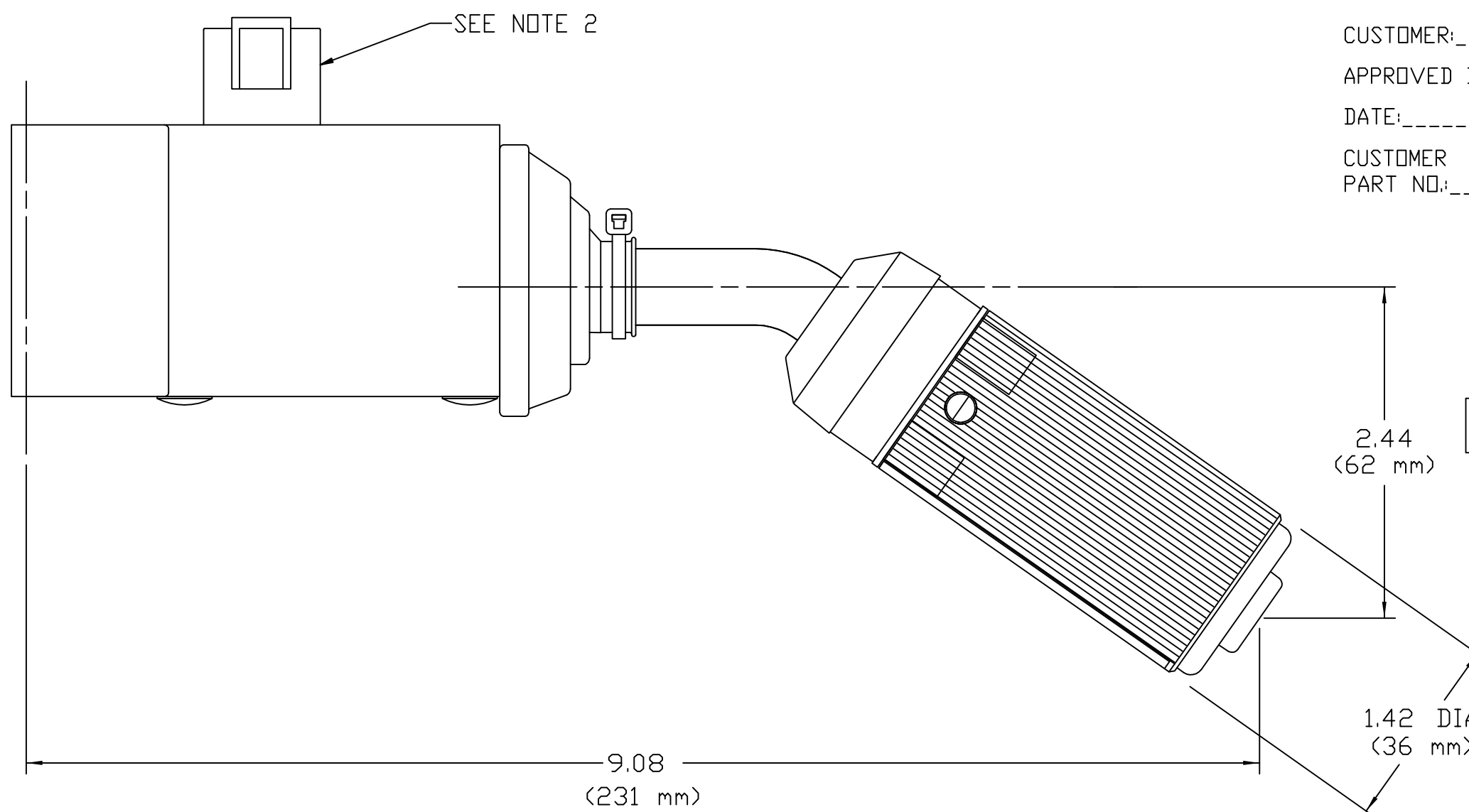
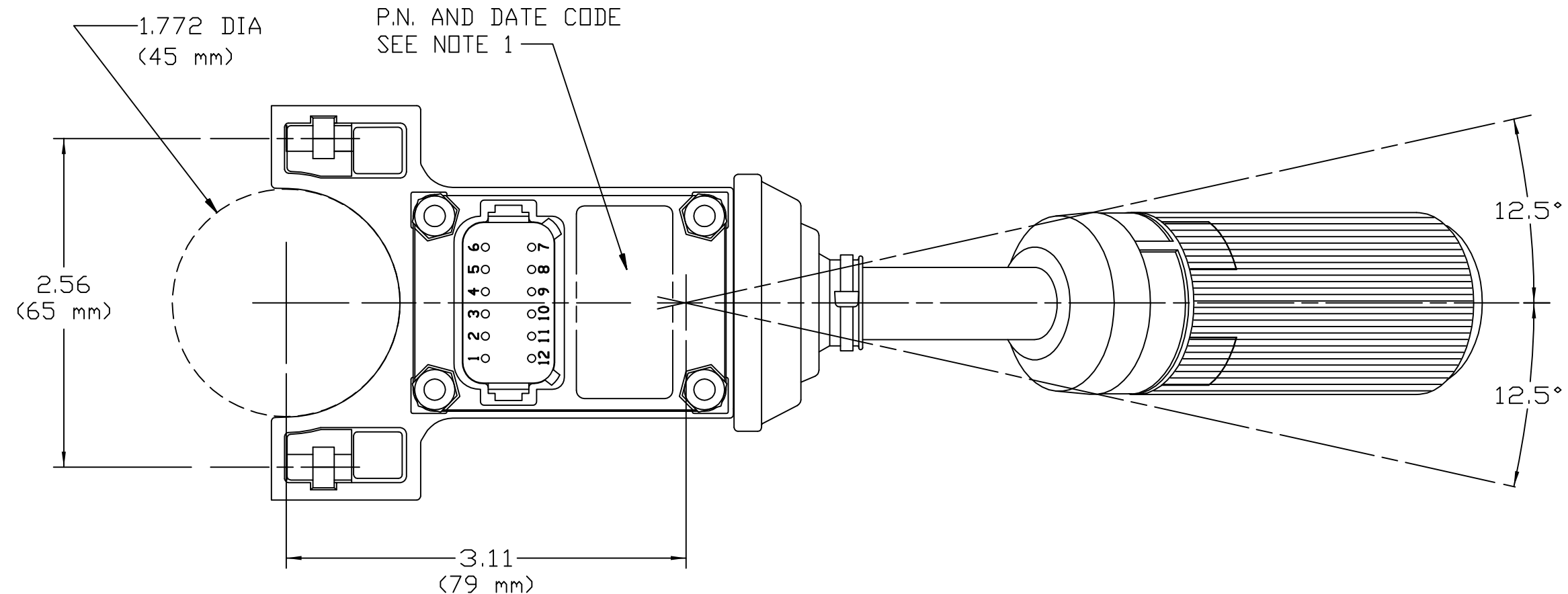
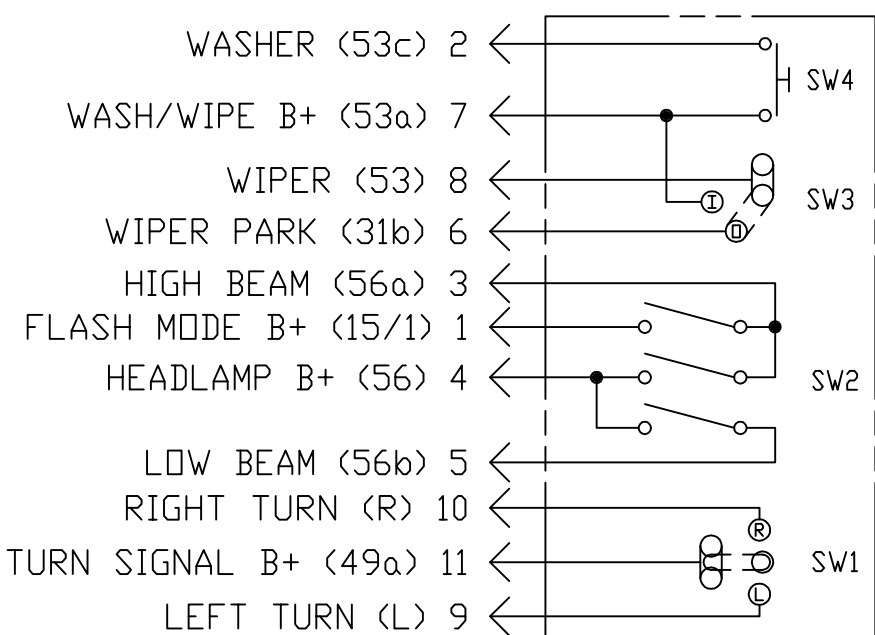


PART NUMBER 81601				REV.
SHEET 2 OF 2				M F
DESCRIPTION OF CHANGE				
APPD.	REV.	DATE	PCN NO.	BY
	E	20May03	33582	RF
REFLECT CHANGE TO SHEET 1				
	F	04May04	0005158	NM
REFLECT CHANGE TO SHEET 1				



CUSTOMER: _____
 APPROVED BY: _____
 DATE: _____
 CUSTOMER PART NO.: _____

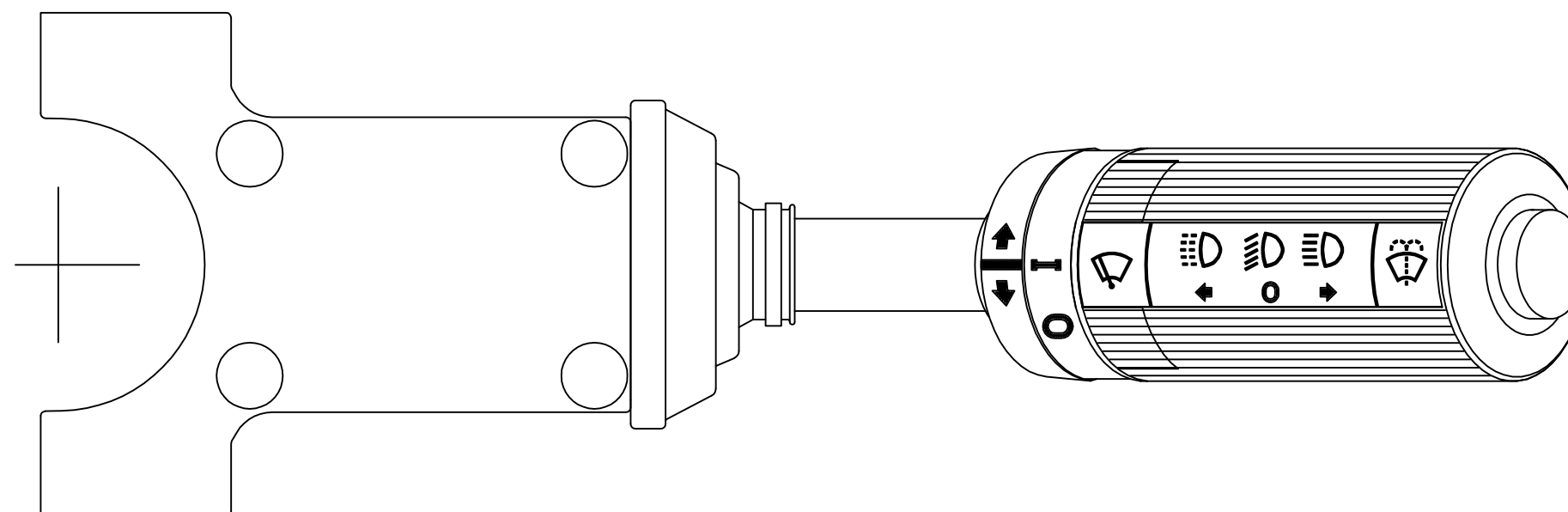
PART NUMBER 81601	
SHEET 2 OF 2	



ELECTRICAL SCHEMATIC
(SHOWN IN NEUTRAL)

LEGEND

- | | | | |
|-----|------------------------|-----|--------------------|
| L | LEFT TURN POSITION | SW3 | WIPER SWITCH |
| N | NEUTRAL POSITION | SW4 | WASHER SWITCH |
| SW1 | TURN SIGNAL SWITCH | □ | WIPER OFF POSITION |
| SW2 | HEADLAMP DIMMER SWITCH | I | WIPER ON POSITION |



- NOTES:
- CUSTOMER OR HONEYWELL HOBBS P/N, CHANGE NO. AND DATE CODE TO BE STAMPED IN AREA SHOWN.
 - A. MATING CONNECTOR-DEUTSCH DT06-12S
 B. CONNECTOR TERMINAL-DEUTSCH 1066-16-0122
 OPTIONAL TERMINAL-DEUTSCH 0462-201-16141
 C. CONNECTOR WEDGE-DEUTSCH W12S
 D. SEALING PLUG-DEUTSCH 114017

CUSTOMER PRINT

Honeywell Hobbs SPRINGFIELD, IL U.S.A.			NAME SHIFTER ASSY TURN SIGNAL CONTROL	
DRAWN RF	CHECKED	CONFIDENTIAL AND PROPRIETARY INFORMATION. DIMENSIONS ARE FOR REFERENCE ONLY UNLESS OTHERWISE SPECIFIED.	NEXT ASSY.	
DATE 30Sep02	SCALE 1:1		PART NUMBER 81601	
DO NOT SCALE	DKT. NO.		SHEET 2 OF 2	