

# Type BLR-912-G

## Fuse Block

### 12 Pole - Regular, ATC/ATO Auto Blade

### With 12-Position Grounding Block



www.optifuse.com (619) 593-5050

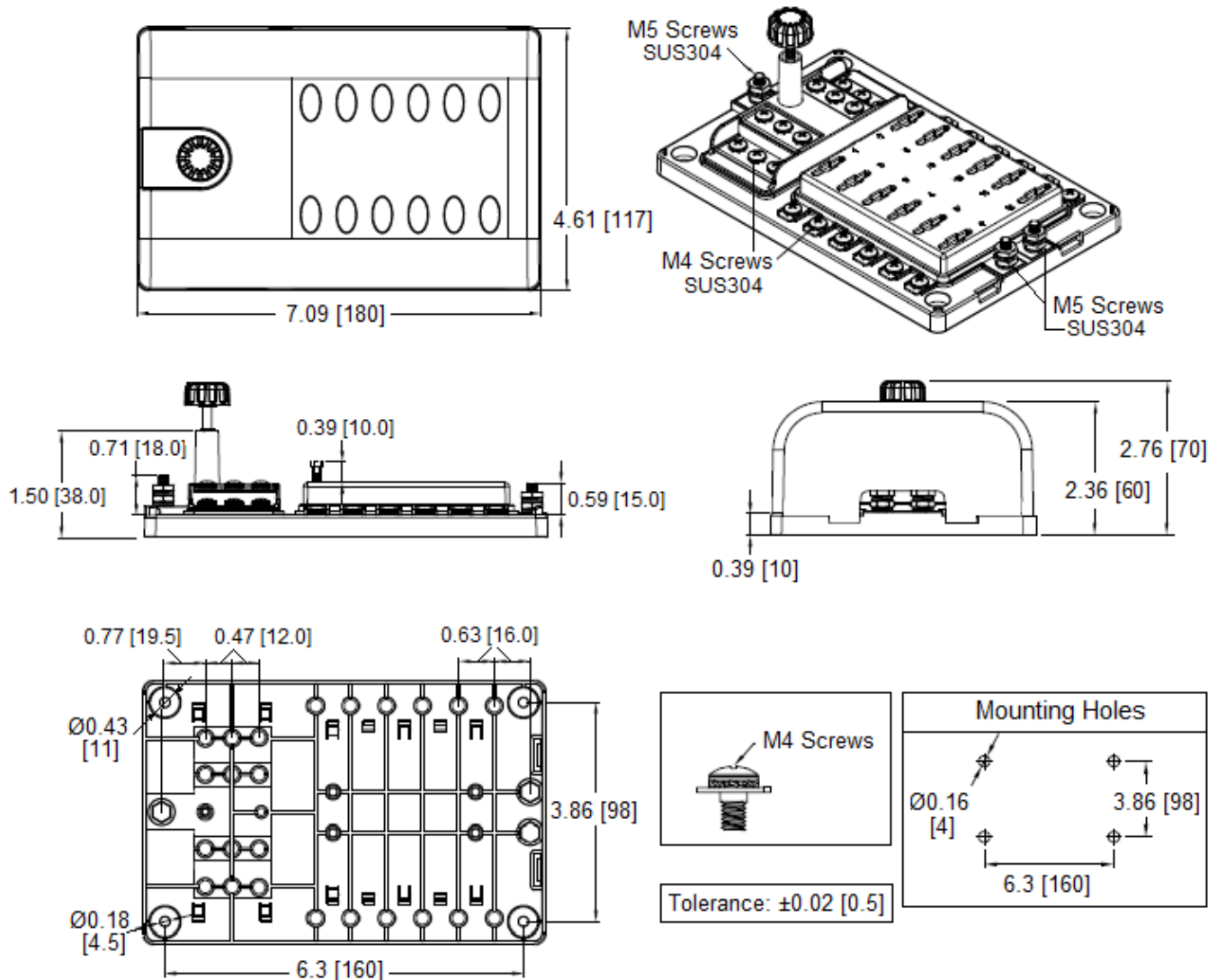
**Specifications:**

- Max Voltage:** 32VDC
- Max Current Rating:** 30A per Circuit - 100A Max
- Fuse Type:** Regular, ATO / ATC, Auto Blade (APR / ANR series)  
(Fuses or Circuit Breakers)
- Mounting:** 4 mounting holes, 4.5mm diameter
- Indicating LED** – Red
- Temperature Rating:** -20° C ~ +85° C

**Material:**

- Housing & Base:** PBT, Black
- Cover:** PC, Clear
- Terminals:** Copper

**Mechanical Dimensions: Inches [mm]**



	<p><b>Warning:</b> -Operation beyond the specified maximum ratings or improper use may result in damage and possible electrical arcing and/or flame.</p>
	<p>-Avoid contact of device with chemical solvent. Prolonged contact may damage the device performance.</p>