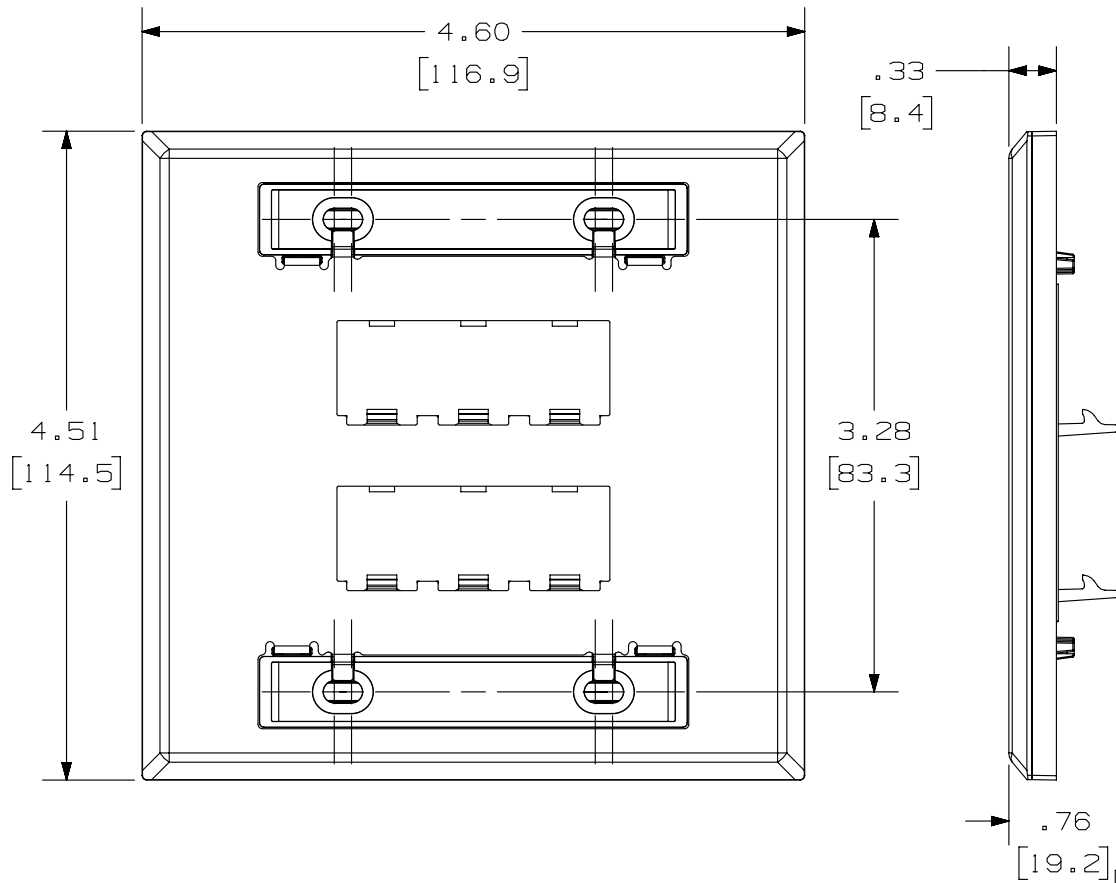
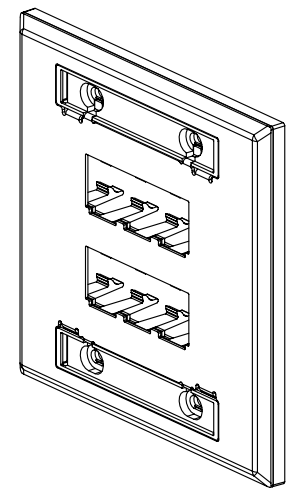


THIS COPY IS PROVIDED ON A RESTRICTED BASIS AND IS NOT TO BE USED IN ANY WAY DETRIMENTAL TO THE INTERESTS OF PANDUIT CORP.

| | |
|-------------|------------------------------------|
| PANDUIT P/N | WEIGHT |
| CFPL6S-2GY | 2.33 LB/10 PCS (1056.9g/10 PCS) |



- NOTES:
- SEE CURRENT CATALOG FOR ADDITIONAL PART NUMBER SUFFIXES TO INDICATE COLOR AND OR PACKAGE QUANTITY.
 - SEE CATALOG FOR COMPLETE LIST OF PARTS APPLICABLE FOR USE WITH THIS PART.
 - DIMENSIONS IN [] ARE IN METRIC.
 - PART INCLUDES:
 - 1- FACEPLATE
 - 4- #6-32 X 1" MOUNTING SCREWS
 - 2- LABEL
 - 2- LABEL COVER



| | | | |
|--|---------|---------------------|-------|
| PART NUMBER | | CFPL6S-2GY | |
| TITLE | | | |
| MINI-COM 6 POSITION STAINLESS STEEL DOUBLE GANG FACEPLATE WITH LABEL/COVER | | | |
| CUSTOMER DRAWING | | | |
| ITEM REVISION NAME | | M02093AM/00 | |
| DATASET FILE NAME | | M02093AM_DC/00C | |
| UNLESS OTHERWISE SPECIFIED, DIMENSIONAL TOLERANCES ARE: IN [mm] | | MATERIAL: | |
| .x ± .xxx ± .010 [.3] | | FACEPLATE- 304 S.S. | |
| .xx ± .03 [.8] | | BACKING- ABS | |
| ANGLES ± | | DRAWING NUMBER: | |
| | | 02093-24 | |
| DRAWN BY | DATE | CHK | SCALE |
| JSP | 6-15-06 | JCO | NONE |
| SHT 1 OF 1 | | | SIZE |
| | | | A |

| | | | | | | |
|-----|---------|-----|------|-----|--|----------|
| 3 | 4/15/14 | JSP | REFR | MMR | REVISED AND REDRAWN, PREVIOUS REVISIONS HAVE BEEN OMITTED. | 02093-24 |
| REV | DATE | BY | CHK | APR | DESCRIPTION | ECN |

D10100DA/14