



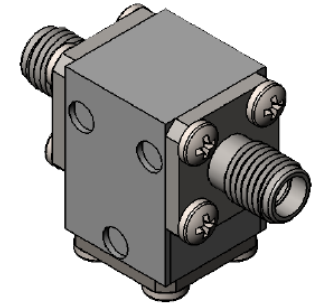
## Part Number: D3I3133

### Electrical Specifications

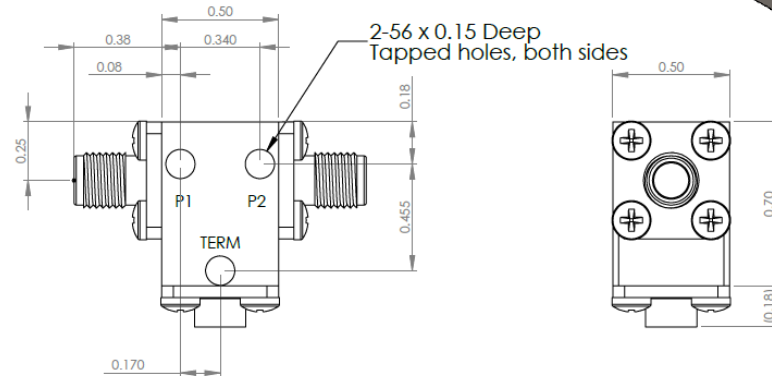
|                        |                |
|------------------------|----------------|
| Frequency Range (GHz): | 31.0 – 33.0    |
| Isolation (dB):        | 20 MIN         |
| Insertion Loss (dB):   | 0.6 MAX        |
| VSWR:                  | 1.25:1 MIN     |
| Forward Power (W):     | 5 AVG<br>30 PK |
| Reflective Power (W):  | 2 AVG          |

### Mechanical/Environmental Specifications

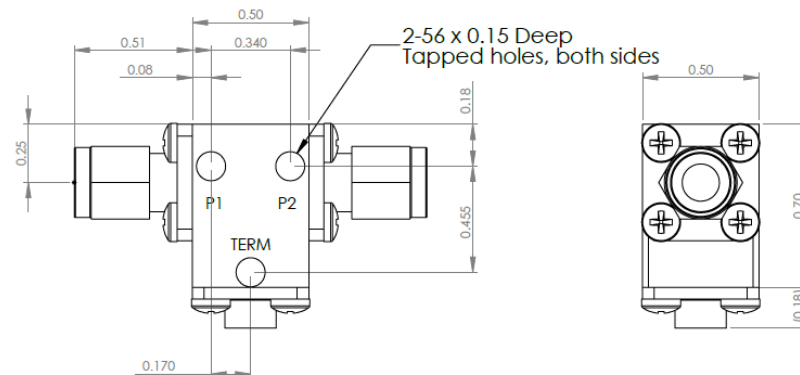
|                   |                            |
|-------------------|----------------------------|
| Connector Type:   | K (2.92mm)                 |
| Connector Body:   | Passivated stainless steel |
| Connector Pin:    | Gold plated copper         |
| Load Body:        | Brass                      |
| Magnetic Shunt:   | Nickel plated CRS          |
| Operational Temp: | -20°C to +65°C             |
| Weight (oz)       | 0.9 MAX                    |



### D3I3133 Dimensions



### D3I3133-3 Dimensions



Dimensions are in inches  
Tolerance

|     |        |
|-----|--------|
| XX  | ±0.03  |
| XXX | ±0.010 |

| Type of Device  | PN Suffix | Connector Configuration<br>Input / Output | PN Example |
|---|-----------|---|------------|
| Single and Dual Junction<br>Isolator, 2-Port Device<br>Input / Output | N/A       | Female / Female                           | D3I3133    |
|   | -1        | Male / Female                             | D3I3133-1  |
|   | -2        | Female / Male                             | D3I3133-2  |
|   | -3        | Male / Male                               | D3I3133-3  |



# MEASURED DATA

Part Number: D3I3133, +25°C

