

6

5

4

3

2

1

REVISION RECORD			
LTR	ECO NO:	APPROVED:	DATE:

Multi-channel Data Acquisition System with isolated SPI port

Version A

PCB Number : EVAL-CN0254-SDPZ

D

D

C

C

B

B

A

A

COMPANY: **ANALOG DEVICES INC**

TITLE: **EVAL-CN0254-SDPZ**
Multi-channel Data Acquisition System with isolated SPI port

DRAWN: Willie.Yue	DATED: 11-14-2011
CHECKED: <Checked By>	DATED: <Checked Date>
QUALITY CONTROL: <QC By>	DATED: <QC Date>
RELEASED: <Released By>	DATED: <Release Date>

CODE: <Code>	SIZE: B	DRAWING NO:	REV: A
SCALE: 1:1			SHEET: 1 of 5

6

5

4

3

2

1

REVISION RECORD			
LTR	ECO NO:	APPROVED:	DATE:

D

D

C

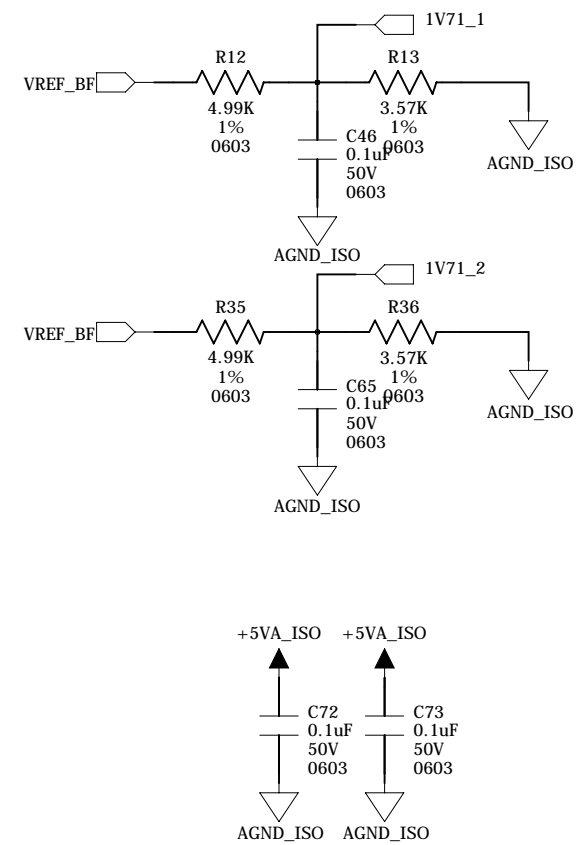
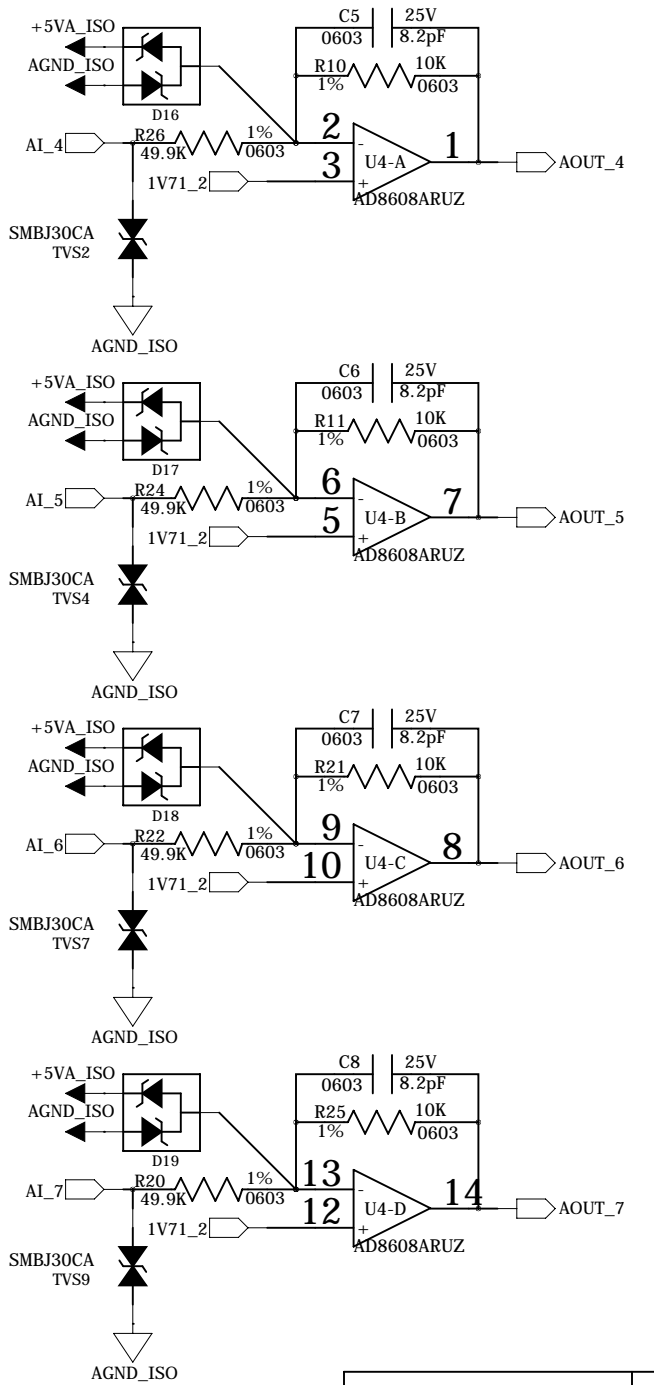
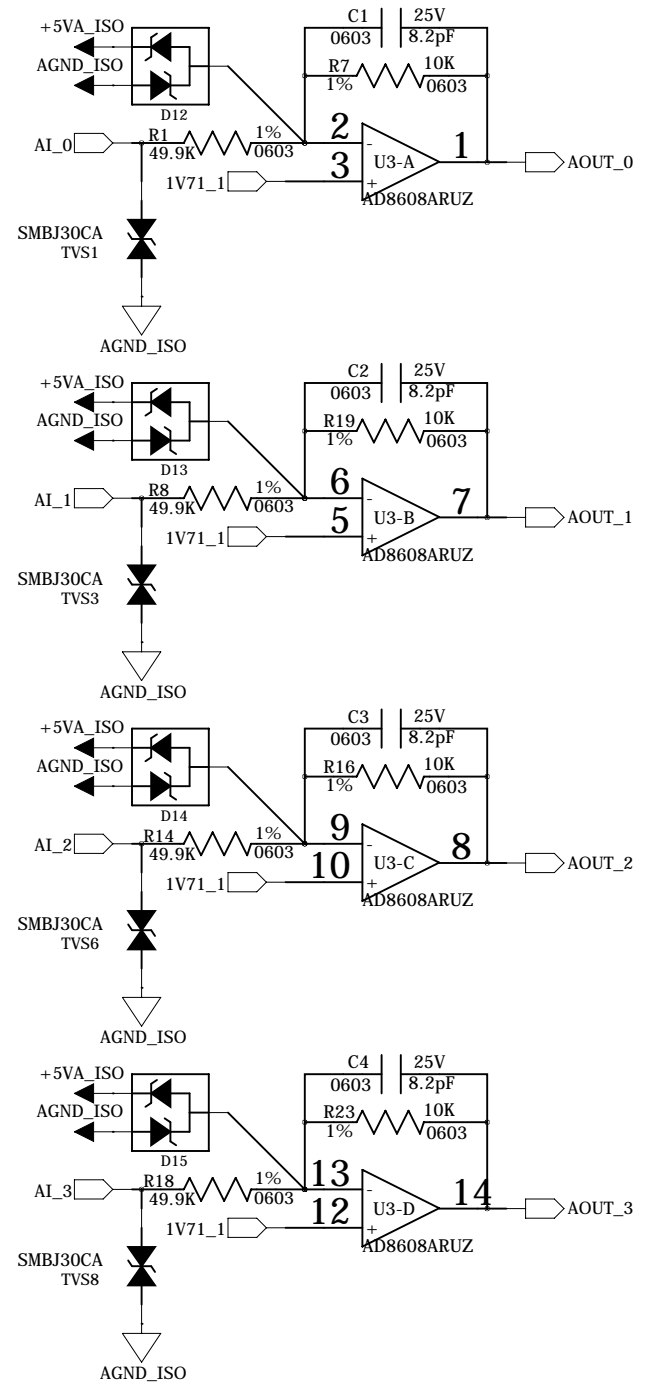
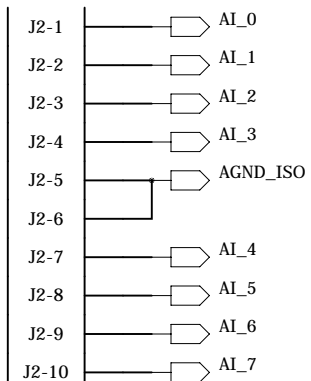
C

B

B

A

A



COMPANY:				ANALOG DEVICES INC			
TITLE:				EVAL-CN0254-SDPZ			
Multi-channel Data Acquisition System with isolated SPI port				CODE:	SIZE:	DRAWING NO:	REV:
				<Code>	B		A
DRAWN: Willie Yue				DATED: 11-14-2011			
CHECKED: <Checked By>				DATED: <Checked Date>			
QUALITY CONTROL: <QC By>				DATED: <QC Date>			
RELEASED: <Released By>				DATED: <Release Date>			
SCALE: 1:1						SHEET: 2 of 5	

DRAWN:	DATED:
Willie Yue	11-14-2011
CHECKED:	DATED:
<Checked By>	<Checked Date>
QUALITY CONTROL:	DATED:
<QC By>	<QC Date>
RELEASED:	DATED:
<Released By>	<Release Date>

6

5

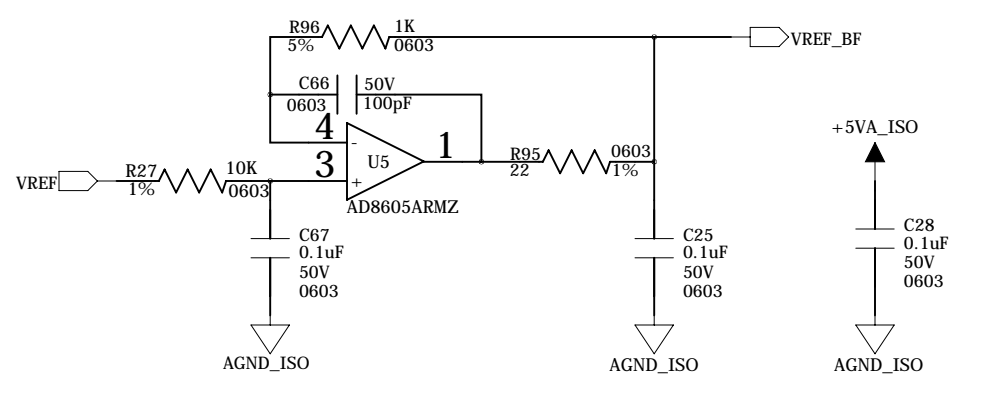
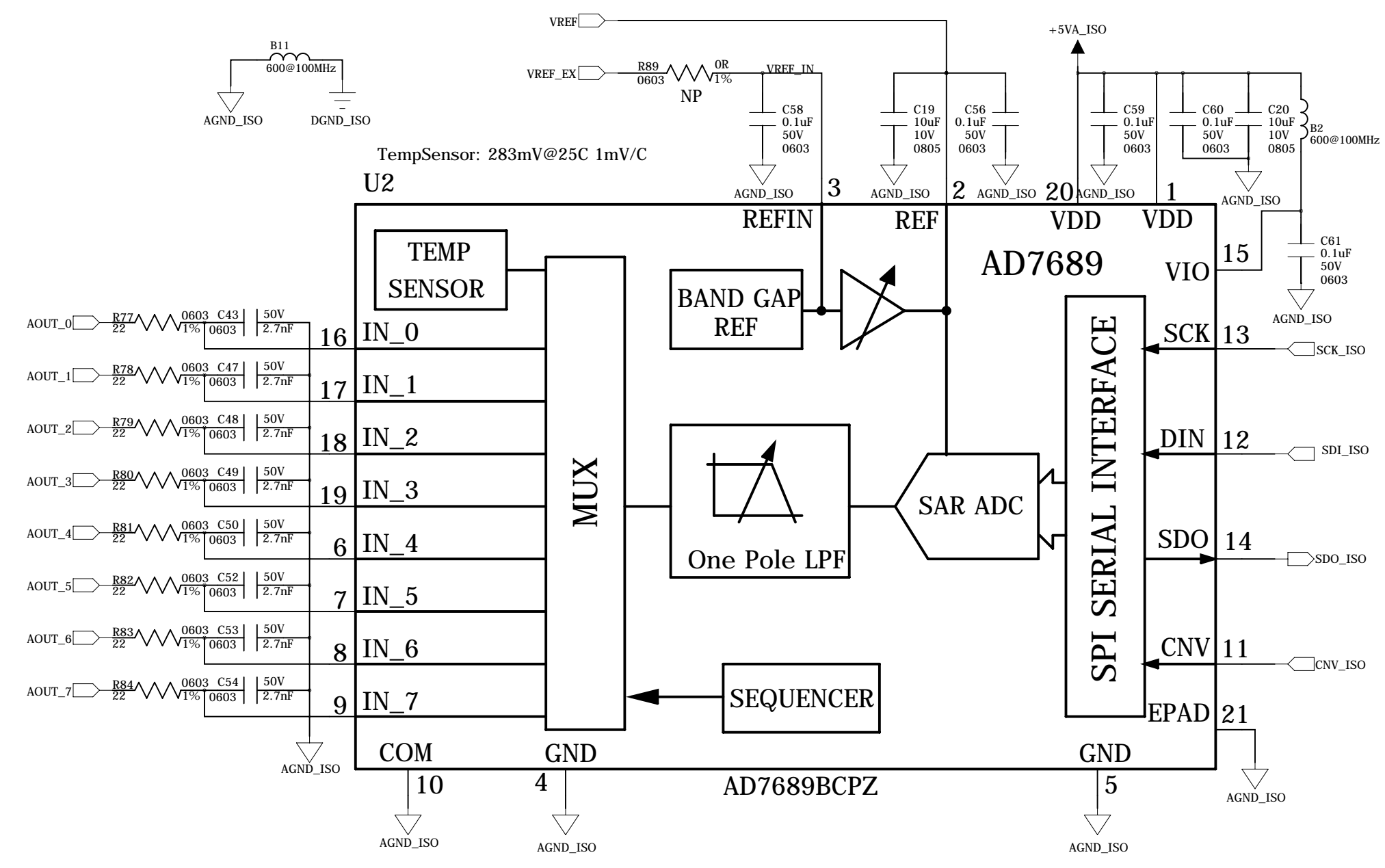
4

3

2

1

REVISION RECORD			
LTR	ECO NO:	APPROVED:	DATE:



COMPANY:				ANALOG DEVICES INC			
TITLE:				EVAL-CN0254-SDPZ			
Multi-channel Data Acquisition System with isolated SPI port				CODE:	SIZE:	DRAWING NO:	REV:
				<Code>	B		A
SCALE: 1:1				SHEET: 3 of 5			

DRAWN:	DATED:
Willie.Yue	11-14-2011
CHECKED:	DATED:
<Checked By>	<Checked Date>
QUALITY CONTROL:	DATED:
<QC By>	<QC Date>
RELEASED:	DATED:
<Released By>	<Release Date>

D

C

B

A

D

C

B

A

6

5

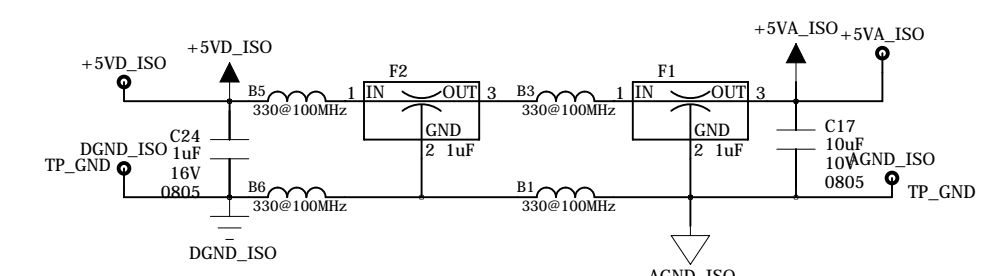
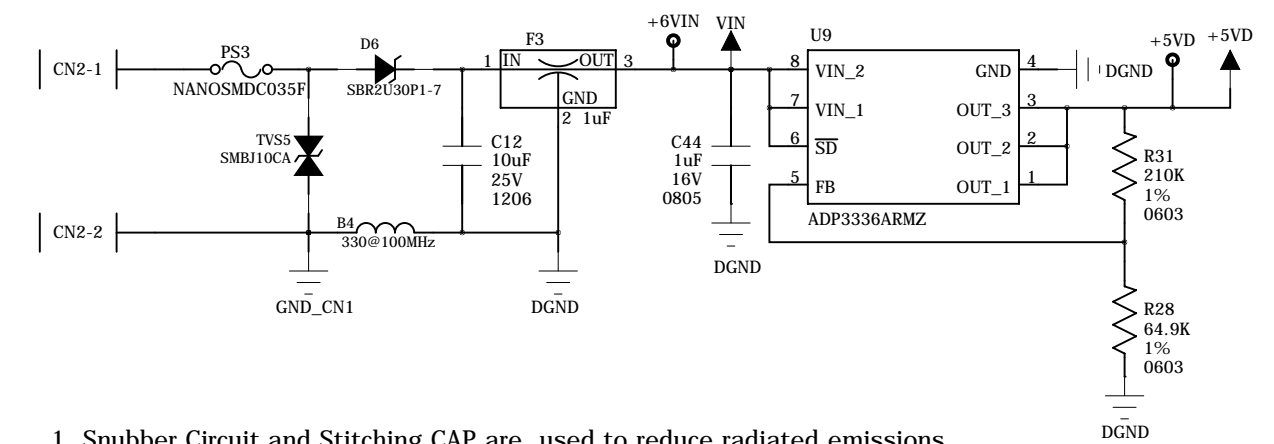
4

3

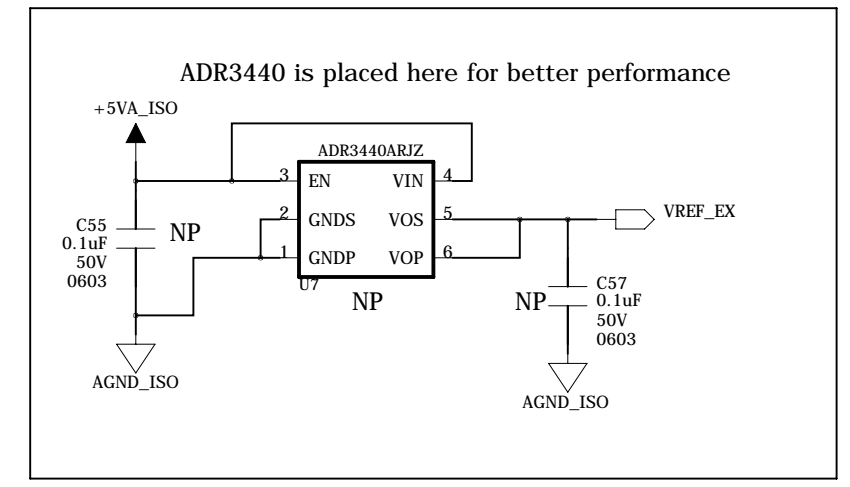
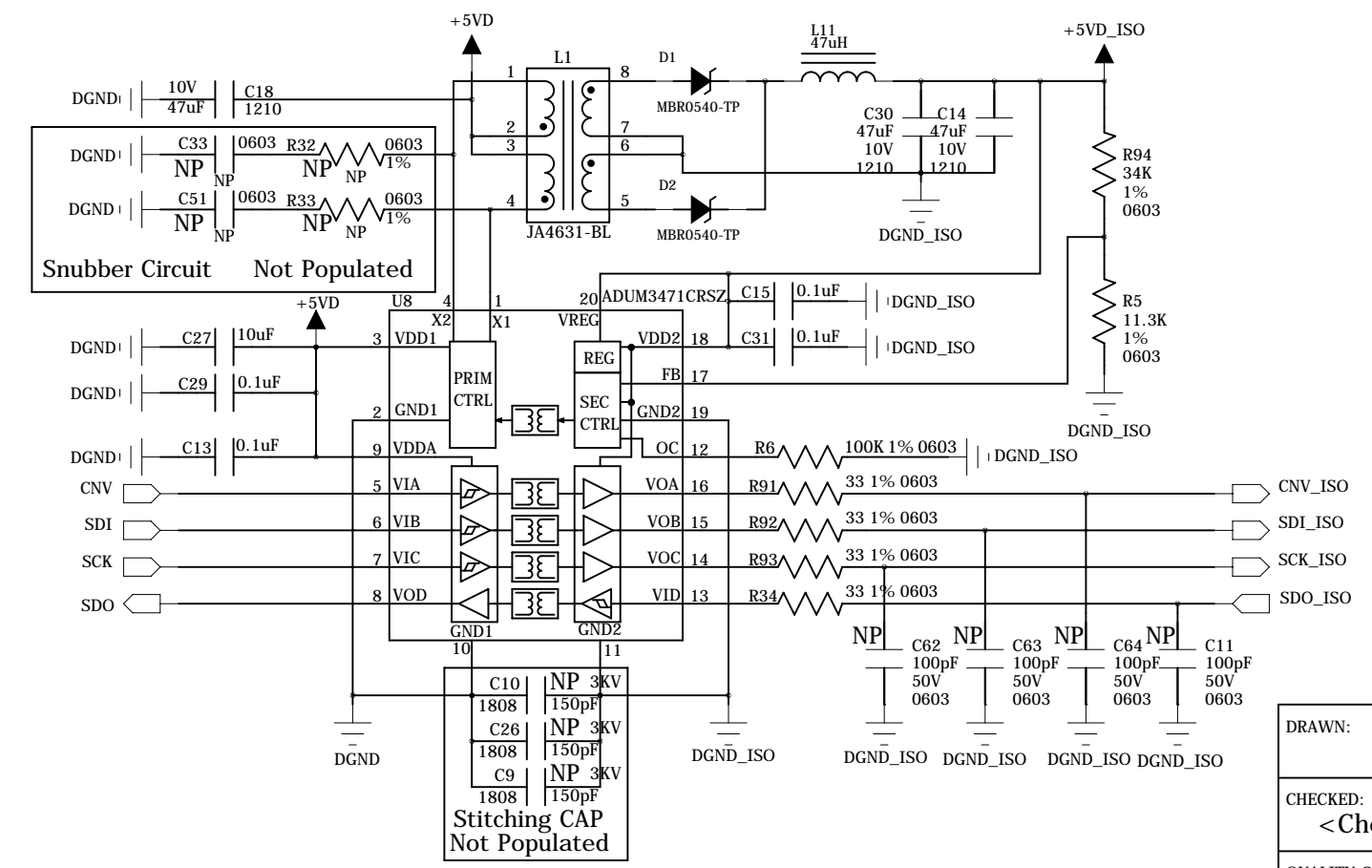
2

1

REVISION RECORD			
LTR	ECO NO:	APPROVED:	DATE:



1. Snubber Circuit and Stitching CAP are used to reduce radiated emissions.
2. Logic Input of ADuM3471 can be driven by 3.3V CMOS Logic
 $V_{IH_MIN} = 2.0V$
 $V_{IL_MAX} = 0.8V$



DRAWN: Willie.Yue	DATED: 11-14-2011
CHECKED: <Checked By>	DATED: <Checked Date>
QUALITY CONTROL: <QC By>	DATED: <QC Date>
RELEASED: <Released By>	DATED: <Release Date>

COMPANY: ANALOG DEVICES INC			
TITLE: EVAL-CN0254-SDPZ Multi-channel Data Acquisition System with isolated SPI port			
CODE: <Code>	SIZE: B	DRAWING NO:	REV: A
SCALE: 1:1		SHEET: 4 of 5	

6

5

4

3

2

1

D

C

B

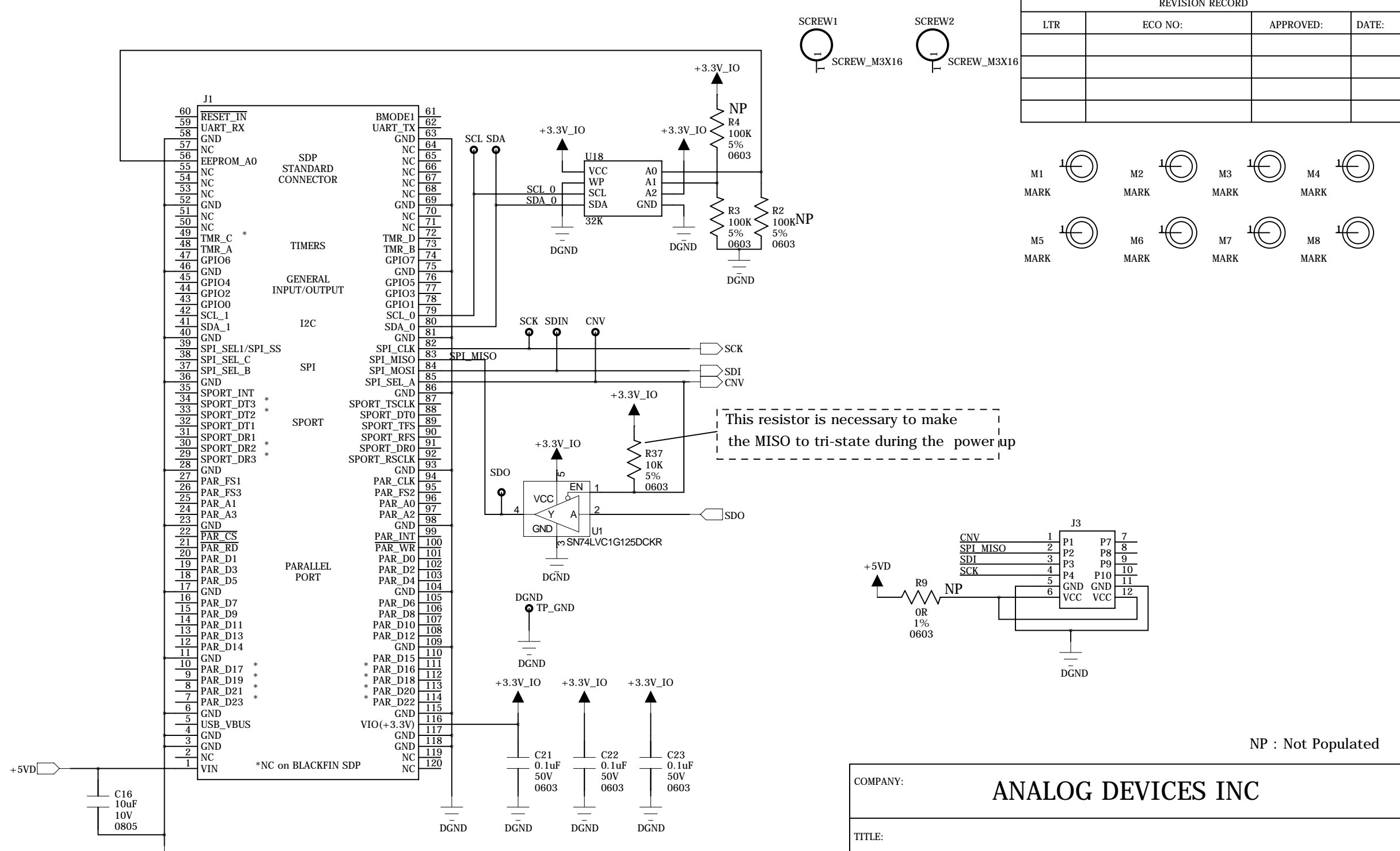
A

D

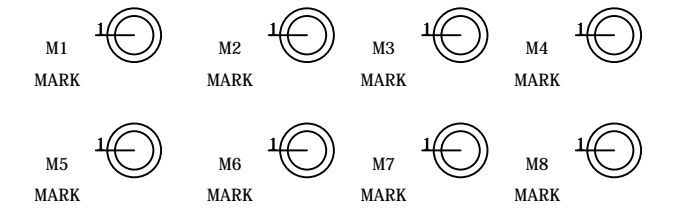
C

B

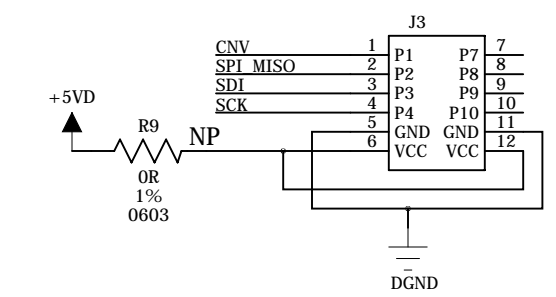
A



REVISION RECORD			
LTR	ECO NO:	APPROVED:	DATE:



This resistor is necessary to make the MISO to tri-state during the power up



NP : Not Populated

COMPANY:				ANALOG DEVICES INC			
TITLE:				EVAL-CN0254-SDPZ			
Multi-channel Data Acquisition System with isolated SPI port				CODE:	SIZE:	DRAWING NO:	REV:
<Code>				B			A
RELEASED: <Released By>				DATED: <Release Date>		SCALE: 1:1	
DRAWN: Willie.Yue				DATED: 11-14-2011		SHEET: 5 OF 5	
CHECKED: <Checked By>				DATED: <Checked Date>			
QUALITY CONTROL: <QC By>				DATED: <QC Date>			

DRAWN:	DATED:
Willie.Yue	11-14-2011
CHECKED:	DATED:
<Checked By>	<Checked Date>
QUALITY CONTROL:	DATED:
<QC By>	<QC Date>
RELEASED:	DATED:
<Released By>	<Release Date>