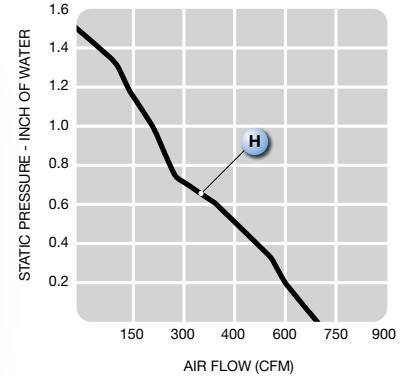
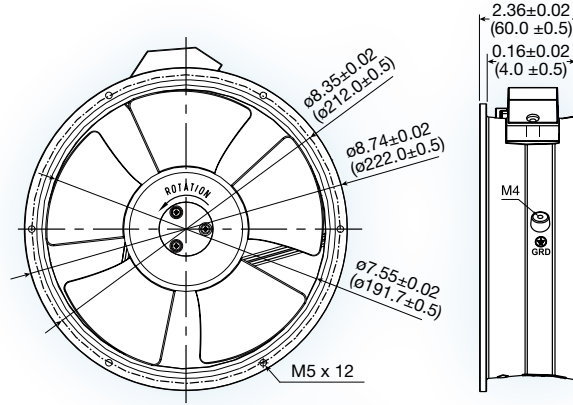
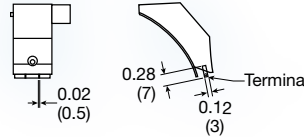


MM2260 series*



(222 dia. x 60 mm)
8.74 dia. x 2.36 inches



- Construction: magnesium alloy impeller & frame
- Bearing option: ball bearing
- Connection: terminal or AWG 18 lead wire
- Frame: flanged
- Protection: thermal
- Options: tachometer output or locked rotor alarm signal

Model No.	Rated Voltage V	Current mA		Speed RPM	Air Volume		Max. Static Pressure (H ₂ O)		Sound Noise dbA	Weight kg
		24	48		M ³ /Min.	CFM	MM	INCH		
MM2260H	24/48	3000	1700	4,000	19	690	38.10	1.5	67	1.4

*Not to be used for new designs

