

3.3V Low Skew 1-to-4 LVTTTL/LVCMOS to LVDS Fanout Buffer

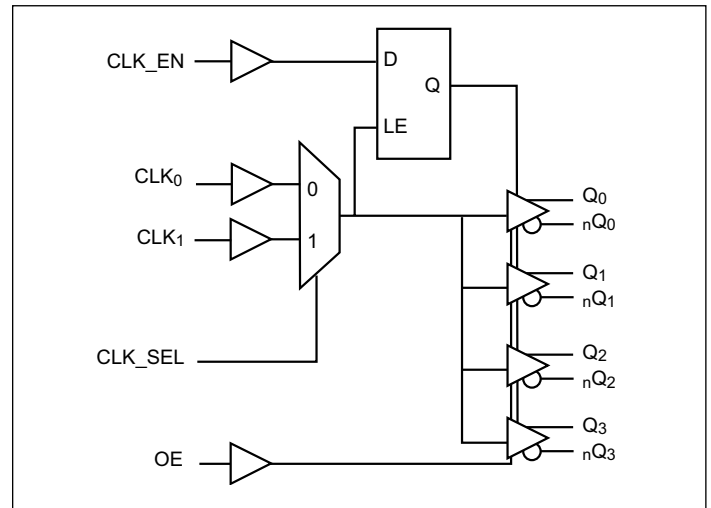
Features

- Maximum operation frequency: 650 MHz
- 4 pair of differential LVDS outputs
- Selectable CLK₀ and CLK₁ inputs
- CLK₀, CLK₁ accept LVCMOS, LVTTTL input level
- Output Skew: 40ps (maximum)
- Part-to-part skew: 300ps (maximum)
- Propagation delay: 2.2ns (maximum)
- 3.3V power supply
- Pin-to-pin compatible to ICS8545
- Operating Temperature: -40°C to 85°C
- Totally Lead-Free & Fully RoHS Compliant (Notes 1 & 2)
- Halogen and Antimony Free. “Green” Device (Note 3)
- For automotive applications requiring specific change control (i.e. parts qualified to AEC-Q100/101/200, PPAP capable, and manufactured in IATF 16949 certified facilities), please [contact us](https://www.diodes.com/quality/product-definitions/) or your local Diodes representative.
- Packaging (Pb-free & Green):
- 20-pin TSSOP (L)

Description

The PI6C48545 is a high-performance low-skew LVDS fanout buffer. PI6C48545 features two selectable single-ended clock inputs and translate to four LVDS outputs. The CLK₀ and CLK₁ inputs accept LVCMOS or LVTTTL signals. The outputs are synchronized with input clock during asynchronous assertion/deassertion of CLK_EN pin. PI6C48545 is ideal for single-ended LVTTTL/LVCMOS to LVDS translations. Typical clock translation and distribution applications are data-communications and telecommunications.

Block Diagram



Control Input Function Table

Inputs				Outputs	
OE	CLK_EN	CLK_SEL	Selected Source	Q ₀ :Q ₃	nQ ₀ :nQ ₃
1	0	0	CLK ₀	Disabled: Low	Disabled: High
1	0	1	CLK ₁	Disabled: Low	Disabled: High
1	1	0	CLK ₀	Enabled	Enabled
1	1	1	CLK ₁	Enabled	Enabled
0	x	x		HiZ	HiZ

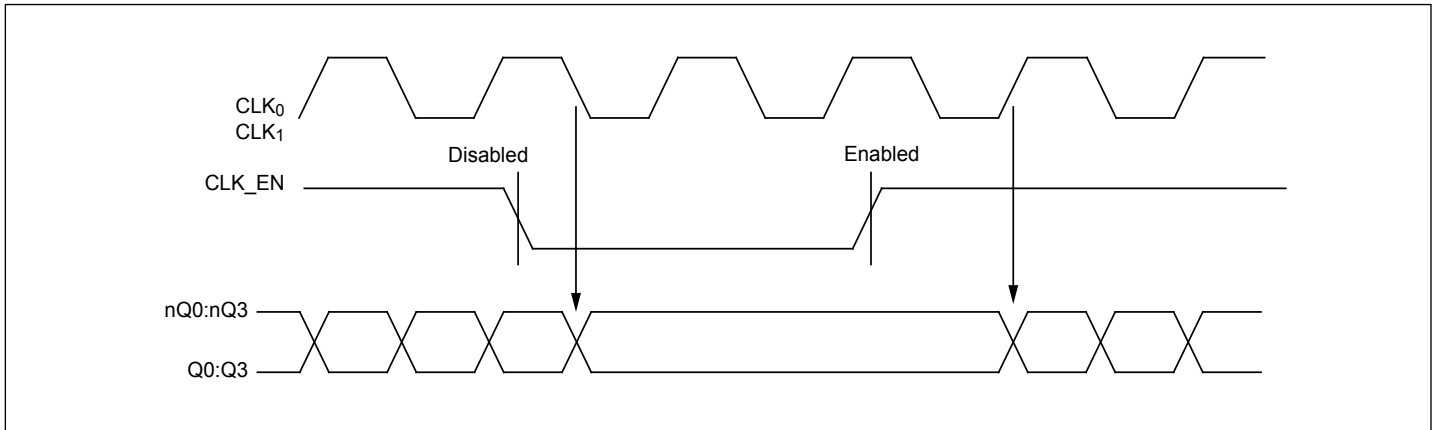
Notes:

1. After CLK_EN switches, the clock outputs are disabled or enabled following a rising and falling input clock edge as show below.

Notes:

1. No purposely added lead. Fully EU Directive 2002/95/EC (RoHS), 2011/65/EU (RoHS 2) & 2015/863/EU (RoHS 3) compliant.
2. See <https://www.diodes.com/quality/lead-free/> for more information about Diodes Incorporated’s definitions of Halogen- and Antimony-free, “Green” and Lead-free.
3. Halogen- and Antimony-free “Green” products are defined as those which contain <900ppm bromine, <900ppm chlorine (<1500ppm total Br + Cl) and <1000ppm antimony compounds.

CLK_EN Timing Diagram



Clock Input Function Table

Inputs	Outputs	
CLK ₀ or CLK ₁	Q ₀ :Q ₃	nQ ₀ :nQ ₃
0	LOW	HIGH
1	HIGH	LOW

Maximum Ratings (Above which the useful life may be impaired. For user guidelines, not tested)

Storage temperature	-55 to +150°C
Supply Voltage to Ground Potential (V _{DD} , V _{DDO})	-0.5 to +4.6V
Inputs (Referenced to GND).....	-0.5 to V _{DD} +0.5V
Clock Output (Referenced to GND)	-0.5 to V _{DD} +0.5V
Latch up	200mA
ESD Protection (Input)	2000V min (HBM)
Junction Temperature	150°C max

Note:

Stresses greater than those listed under MAXIMUM RATINGS may cause permanent damage to the device. This is a stress rating only and functional operation of the device at these or any other conditions above those indicated in the operational sections of this specification is not implied. Exposure to absolute maximum rating conditions for extended periods may affect reliability.

Operating Conditions

Symbol	Parameter	Conditions	Min.	Typ.	Max.	Units
V _{CC}	Power Supply Voltage		3.135	3.3	3.465	V
T _A	Ambient Temperature		-40		85	°C
I _{CC}	Power Supply Current				60	mA

LVC MOS/LVTTL DC Characteristics (T_A = -40°C to 85°C, V_{CC} = 3.135V to 3.465V unless otherwise stated below.)

Symbol	Parameter	Conditions	Min.	Typ.	Max.	Units
V _{IH}	Input High Voltage	CLK ₀ , CLK ₁ , CLK_EN, CLK_SE, OE	2		V _{CC} +0.3	V
V _{IL}	Input Low Voltage	CLK ₀ , CLK ₁	-0.3		1.3	V
		CLK_EN, CLK_SEL, OE	-0.3		0.8	V
I _{IH}	Input High Current	CLK ₀ , CLK ₁ , CLK_SEL	V _{IN} = V _{CC} = 3.465V		150	uA
		CLK_EN, OE	V _{IN} = V _{CC} = 3.465V		5	uA
I _{IL}	Input Low Current	CLK ₀ , CLK ₁ , CLK_SEL	V _{IN} = 0V, V _{CC} = 3.465V	-5		uA
		CLK_EN, OE	V _{IN} = 0V, V _{CC} = 3.465V	-150		uA

LVDS DC Characteristics (T_A = -40°C to 85°C, V_{CC} = 3.135V to 3.465V unless otherwise stated below.)

Symbol	Parameter	Conditions	Min.	Typ.	Max.	Units
V _{OD}	Differential Output Voltage		200	280	360	mV
ΔV _{OD}	V _{OD} Magnitude Change			0	40	
V _{OS}	Offset Voltage		1.125	1.3	1.475	V
ΔV _{OS}	V _{OS} Magnitude Change			5	25	mV
I _{OZ}	High Impedance Leakage Current		-10		+10	μA
I _{OFF}	Power OFF Leakage		-20	±1	+20	
I _{OSD}	Differential Output Short Circuit Current			-3.5	-5	mA
I _{OS}	Output Short Circuit Current			-3.5	-5	
V _{OH}	Output Voltage High			1.34	1.6	V
V _{OL}	Output Voltage Low		0.9	1.06		

PI6C48545

AC Characteristics ($T_A = -40^{\circ}\text{C}$ to 85°C , $V_{CC} = 3.135\text{V}$ to 3.465V)

Symbol	Parameter	Conditions	Min.	Typ.	Max.	Units
f_{\max}	Output Frequency				650	MHz
t_{pd}	Propagation Delay ⁽¹⁾		0.8		2.2	ns
$T_{sk(o)}$	Output-to-output Skew ⁽²⁾				40	ps
$T_{sk(pp)}$	Part-to-part Skew ⁽³⁾				300	
t_r/t_f	Output Rise/Fall time	20% - 80%	100		300	
odc	Output duty cycle		48		52	%

Notes:

1. Measured from the $V_{CC}/2$ of the input to the differential output crossing point
2. Defined as skew between outputs at the same supply voltage and with equal load condition. Measured at the outputs differential crossing point.
3. Defined as skew between outputs on different parts operating at the same supply voltage and with equal load condition. Measured at the outputs differential crossing point.
4. All parameters are measured at 500MHz unless noted otherwise

Part Marking

<p>PI6C 48545LE CYYWWXX</p> <p>○</p>
--

C: Die Rev

YY: Year

WW: Workweek

1st X: Assembly Code

2nd X: Fab Code

PI6C48545

Packaging Mechanical: 20-TSSOP (L)

SYMBOLS	MIN.	NOM.	MAX.
A	—	—	1.20
A1	0.05	—	0.15
A2	0.80	1.00	1.05
b	0.19	—	0.30
C	0.09	—	0.20
D	6.40	6.50	6.60
E1	4.30	4.40	4.50
E	6.20	6.40	6.60
e	0.65 BSC		
L1	1.00 REF		
L	0.45	0.60	0.75
S	0.20	—	—
θ	0°	—	8°

NOTES:
 1. ALL DIMENSIONS IN MILLIMETERS. ANGLES IN DEGREES.
 2. JEDEC MO-153F
 3. DIMENSIONS DOES NOT INCLUDE MOLD FLASH, PROTRUSIONS OR GATE BURRS.

		DATE: 03/31/16
DESCRIPTION: 20-Pin, 173mil Wide TSSOP		
PACKAGE CODE: L (L20)		
DOCUMENT CONTROL #: PD-1311	REVISION: G	

16-0074

For latest package info.

please check: <http://www.diodes.com/design/support/packaging/pericom-packaging/packaging-mechanicals-and-thermal-characteristics/>

Ordering Information

Ordering Code	Package Code	Package Description
PI6C48545LEX	L	20-pin, 173-mil Wide (TSSOP)

Notes:

1. No purposely added lead. Fully EU Directive 2002/95/EC (RoHS), 2011/65/EU (RoHS 2) & 2015/863/EU (RoHS 3) compliant.
2. See <https://www.diodes.com/quality/lead-free/> for more information about Diodes Incorporated's definitions of Halogen- and Antimony-free, "Green" and Lead-free.
3. Halogen- and Antimony-free "Green" products are defined as those which contain <900ppm bromine, <900ppm chlorine (<1500ppm total Br + Cl) and <1000ppm antimony compounds.
4. E = Pb-free and Green
5. X suffix = Tape/Reel

IMPORTANT NOTICE

DIODES INCORPORATED MAKES NO WARRANTY OF ANY KIND, EXPRESS OR IMPLIED, WITH REGARDS TO THIS DOCUMENT, INCLUDING, BUT NOT LIMITED TO, THE IMPLIED WARRANTIES OF MERCHANTABILITY AND FITNESS FOR A PARTICULAR PURPOSE (AND THEIR EQUIVALENTS UNDER THE LAWS OF ANY JURISDICTION).

Diodes Incorporated and its subsidiaries reserve the right to make modifications, enhancements, improvements, corrections or other changes without further notice to this document and any product described herein. Diodes Incorporated does not assume any liability arising out of the application or use of this document or any product described herein; neither does Diodes Incorporated convey any license under its patent or trademark rights, nor the rights of others. Any Customer or user of this document or products described herein in such applications shall assume all risks of such use and will agree to hold Diodes Incorporated and all the companies whose products are represented on Diodes Incorporated website, harmless against all damages.

Diodes Incorporated does not warrant or accept any liability whatsoever in respect of any products purchased through unauthorized sales channel.

Should Customers purchase or use Diodes Incorporated products for any unintended or unauthorized application, Customers shall indemnify and hold Diodes Incorporated and its representatives harmless against all claims, damages, expenses, and attorney fees arising out of, directly or indirectly, any claim of personal injury or death associated with such unintended or unauthorized application.

Products described herein may be covered by one or more United States, international or foreign patents pending. Product names and markings noted herein may also be covered by one or more United States, international or foreign trademarks.

This document is written in English but may be translated into multiple languages for reference. Only the English version of this document is the final and definitive format released by Diodes Incorporated.

LIFE SUPPORT

Diodes Incorporated products are specifically not authorized for use as critical components in life support devices or systems without the express written approval of the Chief Executive Officer of Diodes Incorporated. As used herein:

A. Life support devices or systems are devices or systems which:

1. are intended to implant into the body, or

2. support or sustain life and whose failure to perform when properly used in accordance with instructions for use provided in the labeling can be reasonably expected to result in significant injury to the user.

B. A critical component is any component in a life support device or system whose failure to perform can be reasonably expected to cause the failure of the life support device or to affect its safety or effectiveness.

Customers represent that they have all necessary expertise in the safety and regulatory ramifications of their life support devices or systems, and acknowledge and agree that they are solely responsible for all legal, regulatory and safety-related requirements concerning their products and any use of Diodes Incorporated products in such safety-critical, life support devices or systems, notwithstanding any devices- or systems-related information or support that may be provided by Diodes Incorporated. Further, Customers must fully indemnify Diodes Incorporated and its representatives against any damages arising out of the use of Diodes Incorporated products in such safety-critical, life support devices or systems.

Copyright © 2020, Diodes Incorporated
www.diodes.com