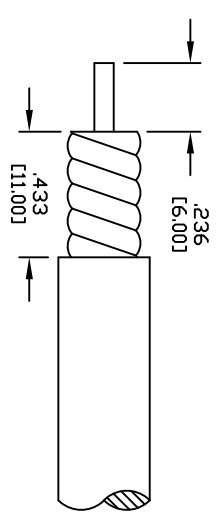
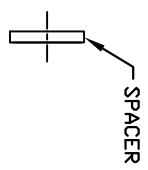
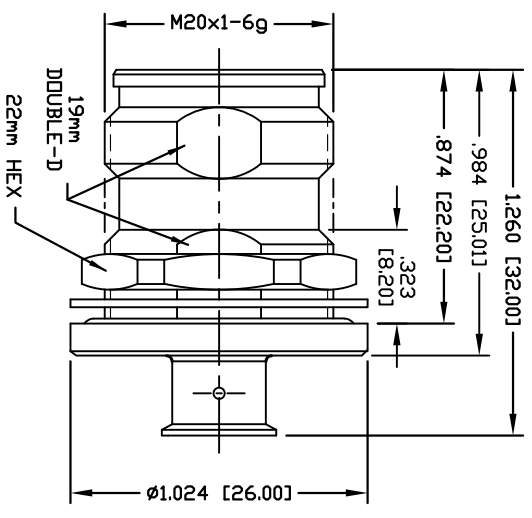


PART NO.		RFD-43FBH-HPL	
REV	DESCRIPTION	DWN	DATE
B	UPDATED SPECS	CZS	09/09/20
			APPROVED
			JDMc



SPECIFICATIONS:

INTERFACE: IEC61169-54
 IMPEDANCE: 50 Ohms
 FREQUENCY RANGE: 0-6 GHz
 MATING CYCLES: >100
 COUPLING TORQUE: ≥ 3.7 FT-LB (≥5 Nm)
 VSWR: <1.15:1 THRU 3 GHz
 3rd ORDER IM: S-160 dBc @ 700 MHz & 1900 MHz
 3rd ORDER IM TEST METHOD: 2x43 dBm CARRIERS
 DC TEST VOLTAGE: 2500 V @ SEA LEVEL
 INSULATION RESISTANCE: 5000 MΩ
 TEMPERATURE RANGE: -55°C TO 90°C
 NET WEIGHT: 0.12 lb
 CERTIFICATIONS: RoHS
 ENVIRONMENTAL: IEC 60529, IPX8 (2.5 BAR, 1 HOUR)
 IEC 61169-1 CLAUSE 9.4.6 48 HOUR SALT MIST, 35°C
 USED ON: SPP-250-LLPP, SPO-250, SCF14-50U, SPF-250,
 FSJ1-50A, SCF14-50U, PTS1-50-P, TFT-401, EC1-50-HF

#	DESCRIPTION	QTY	MATERIAL	FINISH
7	HEX NUT	1	BRASS	WHITE BRONZE
6	WASHER	1	BRASS	WHITE BRONZE
5	O-RING	1	RUBBER	RED
4	INSULATOR	1	PTFE	NATURAL
3	CONTACT	1	PHOSPHORE BRONZE	SILVER
2	INSULATOR	1	PTFE	NATURAL
1	BODY	1	BRASS	WHITE BRONZE

CUSTOMER
 OUTLINE DRAWING
 ALL DIMENSIONS
 ARE REFERENCE ONLY
 UNLESS OTHERWISE SPECIFIED:
 DIMENSIONS ARE IN INCHES
 AND [MILLIMETERS]

DRW	C. ZUNIGA	09/09/20
CHECKED		
ORU DRAWN	C. ZUNIGA	10/29/19

ROHS COMPLIANT
 PROPRIETARY AND CONFIDENTIAL
 THIS DRAWING CONTAINS
 INFORMATION PROPRIETARY TO
 RF INDUSTRIES. ANY
 UNAUTHORIZED USE OF THIS
 DRAWING IS EXPRESSLY
 PROHIBITED WITHOUT WRITTEN
 PERMISSION FROM RF
 INDUSTRIES. ANY VIOLATION IS
 PUNISHABLE UNDER U.S.
 COPYRIGHT LAWS.

RF Connectors
 DIVISION OF RF INDUSTRIES, LTD. (858) 549-6340 FAX
 7610 MIRAMAR RD.
 SAN DIEGO, CA 92126
 (858) 549-6340

4.3/10 FEMALE, BULKHEAD
 DIRECT SOLDER - 1/4" SUPERFLEX CABLE
 SCALE: NTS
 ENGINEERING ID: 000000
 SHEET 1 OF 1