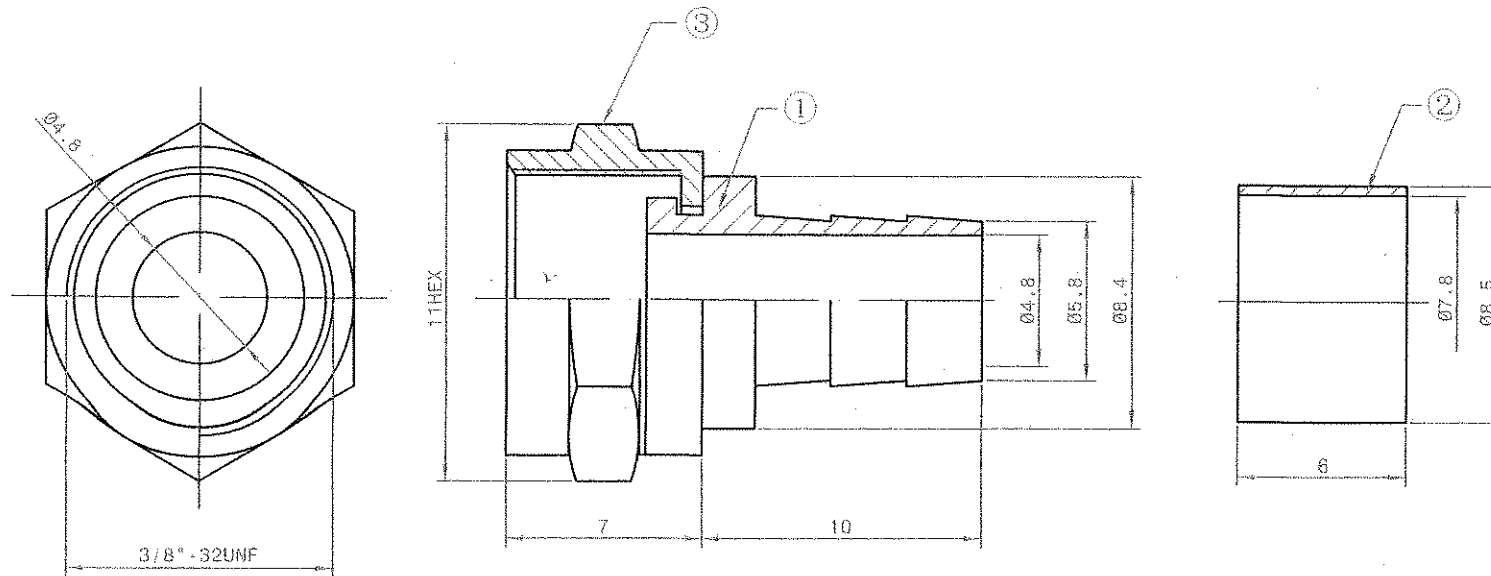


PART NO.

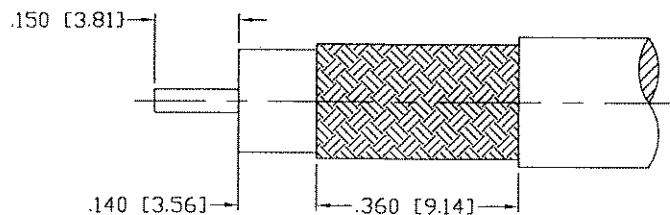
**RFF-1402-0**

REV	DESCRIPTION	DWN	DATE	APPROVED
-	ENGINEERING RELEASE	CZS	03/27/08	JDMc



### Materials Specifications

No	Qty	Desc	Material	Notes
1	1	BODY	ZINC-DIECAST	Nickel Plated
2	1	FERRULE	BRASS	Nickel Plated
3	1	NUT	ZINC	Nickel Plated



RECOMMENDED STRIPPING DIMENSIONS

FOR RG-6/U TYPE; BELDEN 1694A, 9248; CommScope 5715, 5729 & 5765

CUSTOMER OUTLINE DRAWING ALL DIMENSIONS ARE REFERENCE ONLY		<b>RoHS COMPLIANT</b>		<b>RFconnectors</b> DIVISION OF RF INDUSTRIES, LTD.		7610 MIRAMAR RD. SAN DIEGO, CA 92126 (858) 549-6340 (858) 549-6345 FAX	
UNLESS OTHERWISE SPECIFIED: DIMENSIONS ARE IN INCHES AND [MILLIMETERS]		PROPRIETARY AND CONFIDENTIAL THIS DRAWING CONTAINS INFORMATION PROPRIETARY TO RF INDUSTRIES. ANY UNAUTHORIZED USE OF THIS DRAWING IS EXPRESSLY PROHIBITED WITHOUT WRITTEN PERMISSION FROM RF INDUSTRIES. ANY VIOLATION IS PUNISHABLE UNDER U.S. COPYRIGHT LAWS.		<b>F PLUG, CRIMP</b>			
DRAWN C. ZUNIGA	03/27/08	SIZE A	CABLE GROUP Q	DWG NO. <b>RFF-1402-0</b>	REV —		
CHECKED		SCALE: NTS	ENGINEERING ID: 000367	SHEET 1 OF 1			
DRJ DRAWN C. ZUNIGA	03/27/08						