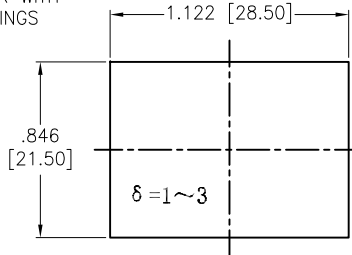
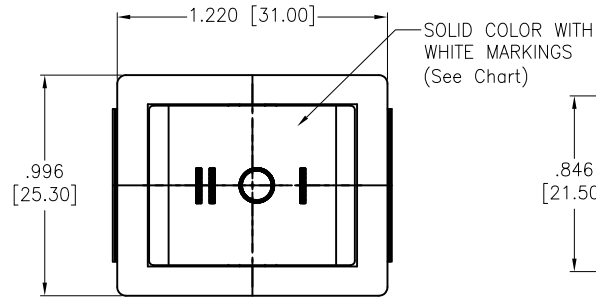
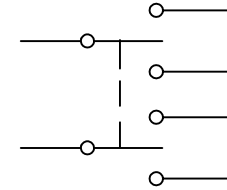


APPROVED: _____
 DATE: _____ TITLE: _____

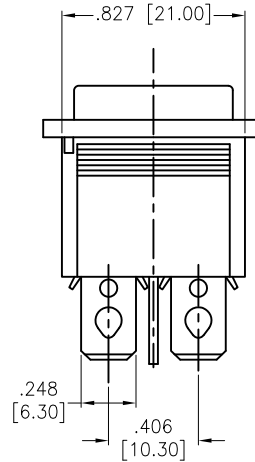
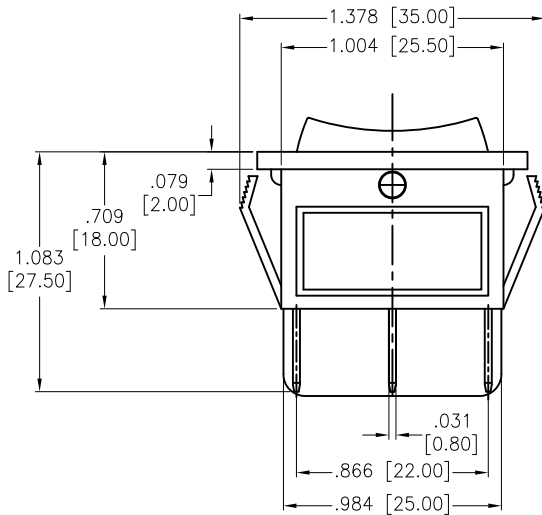
Rev	AWO #	Description	Date	Appr
-		RELEASED	10/28/20	
A		UPDATE SPEC.	8/31/21	WX/RC



RECOMMENDED
 PANEL CUT-OUT



CIRCUIT DIAGRAM
 (DPDT) ON-OFF-ON



SW-R1-4E-E-XX-0

	Actuator Color
BLANK	Standard Black
W	White
R	Red
G	Green
Y	Yellow (Amber)
B	Blue
O	Orange

	Actuator Markings
6	

SPECIFICATIONS:

Body: Nylon 66, Color Black, Rated UL 94V-0

Terminal: Brass, Silver plated

Button: Nylon 66, Solid color, White color markings. (See Chart)

Electrical:

The rated load: 250V AC, 16A

125V AC, 20A

Contact resistance: 50 mohms max

Insulation resistance: 100 Mohms min

Dielectric withstanding voltage: 1500 VAC/5S min

Mechanical:

Electrical life: 10000 Cycles min

Temperature Rating:

Operating temperature: -25°C to +85°C

Environmental:

Lead free, RoHS compliant



Replace "x" in P/N with the corresponding switch color and marking

UNLESS OTHERWISE SPECIFIED
 ALL DIMENSIONS ARE INCHES [MM]
 TOLERANCES: EXCEPT AS NOTED

INCHES		HOLES	
.X	± .10	∅X	± .10
.XX	± .020	∅.XX	± .015
.XXX	± .015	∅.XXX	± .010



909 Rahway Avenue,
 Union, NJ 07083
 Phone: 908-687-5000
 Fax: 908-687-5710

TITLE
 SWITCH, MEDIUM ROCKER, DPDT,
 ON-OFF-ON, QC .250 [6.35MM]

APPROVALS		DATE
DRAWN	OW	10/28/20
CHECKED	AC	10/28/20
APPROVED		

SIZE	PART NO.	REV.
X	SW-R1-4E-E-XX-0	A
REF:	S00206C	SCALE: NTS
		SHEET 1 OF 1