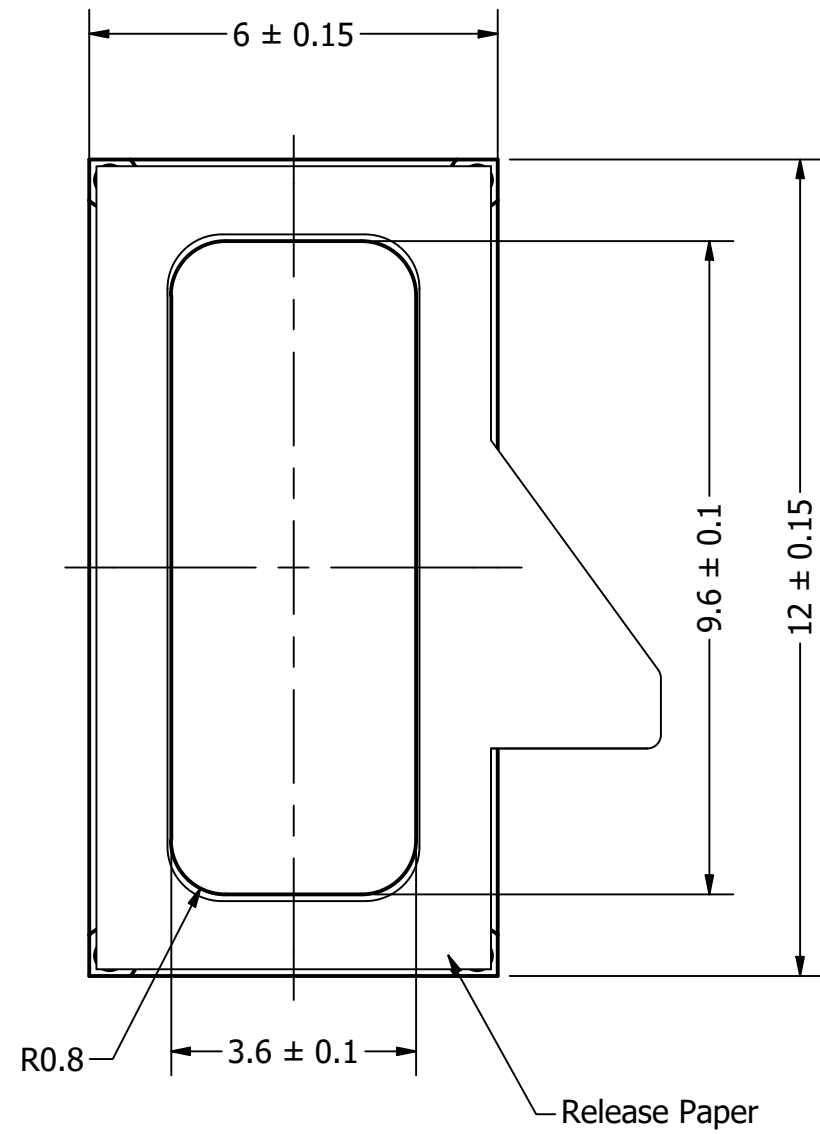
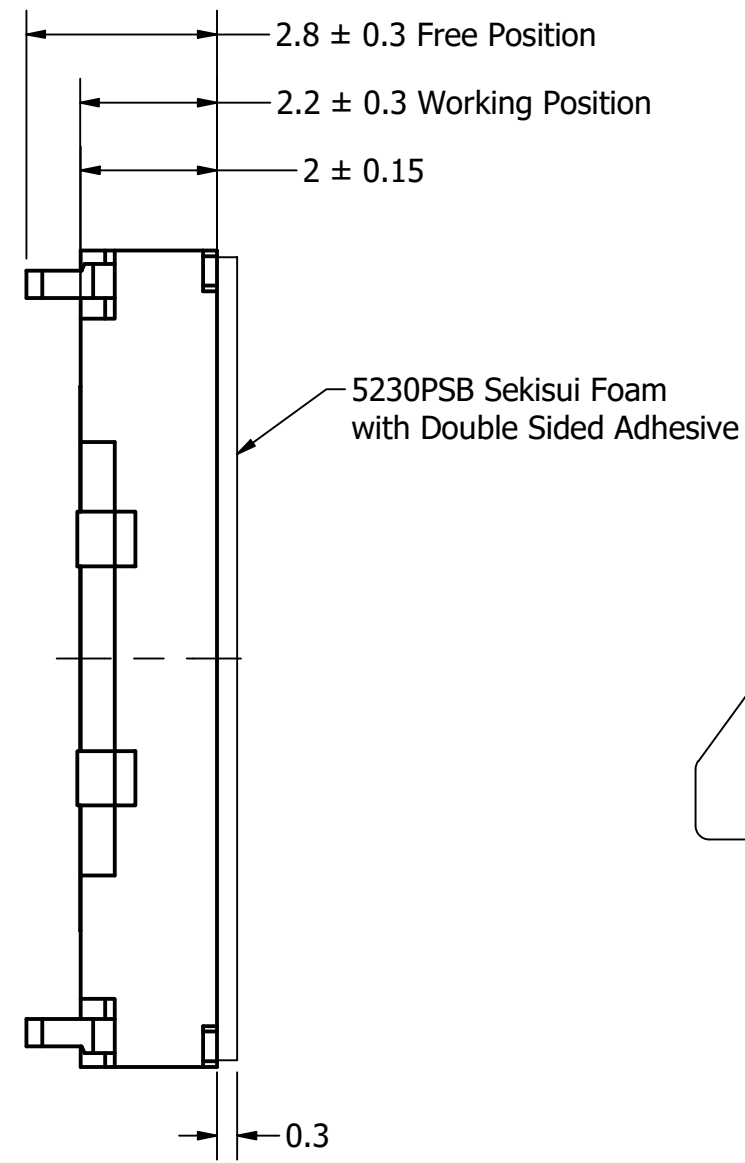


Part Number:	SW121108-1	
DESCRIPTION:	Waterproof Speaker	
DRAWN	CJ	7/9/2020
CHECKED	P.D.	7/9/2020
APPROVED	J.S.	7/9/2020
This document contains data proprietary to DB Unlimited. Any use or reproduction, in any form, without prior written permission of DB Unlimited is prohibited. All terms and conditions can be found at www.dbunlimitedco.com		

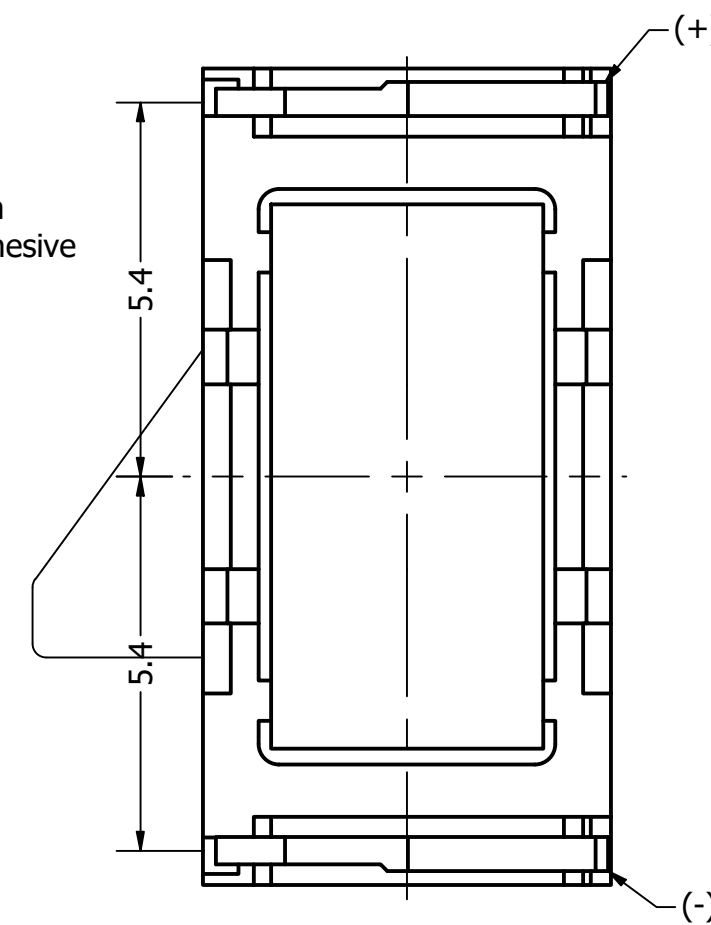
Top View



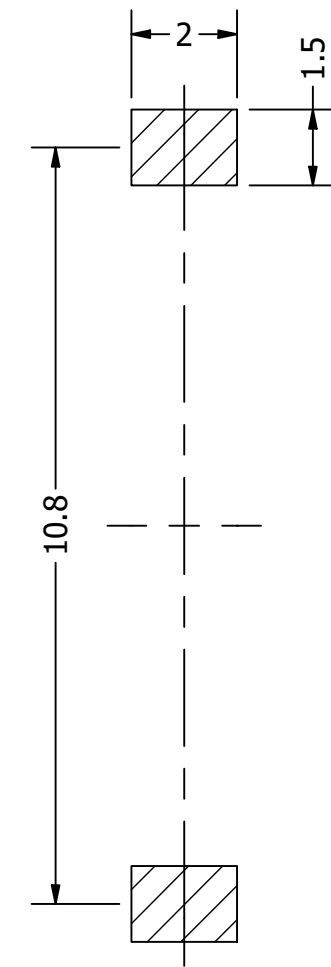
Side View



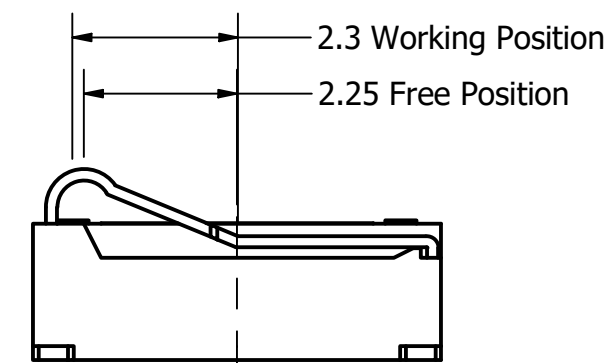
Bottom View



Suggested Pad Layout



Side View (2)



Items	Specifications	Conditions
Sound Pressure Level	81	dB (@ 0.25W/10cm), In 0.5cc chamber
Resonant Frequency	1,100	Hz, In 0.5cc chamber
Frequency Range	1,100 ~ 10,000	Hz, In 0.5cc chamber
Nominal Power	0.25	W, In 0.5cc chamber
Max. Power	0.5	W, In 0.5cc chamber
Impedance	8	Ω
Cone Material	PEEK	
Mount Type	Flush Mount	
IP Rating	IPX7	
Storage Temperature	-40 ~ +85	°C
Operating Temperature	-20 ~ +70	°C

REVISION HISTORY

REV	DESCRIPTION	DATE	APPROVED
	Released from Engineering	7/9/2020	J.S.

NOTES

- 1) All dimensions are in mm unless otherwise noted
- 2) All tolerances are ± 0.2 mm unless otherwise noted
- 3) All parts meet RoHS
- 4) Subject to change or redrawn without notice