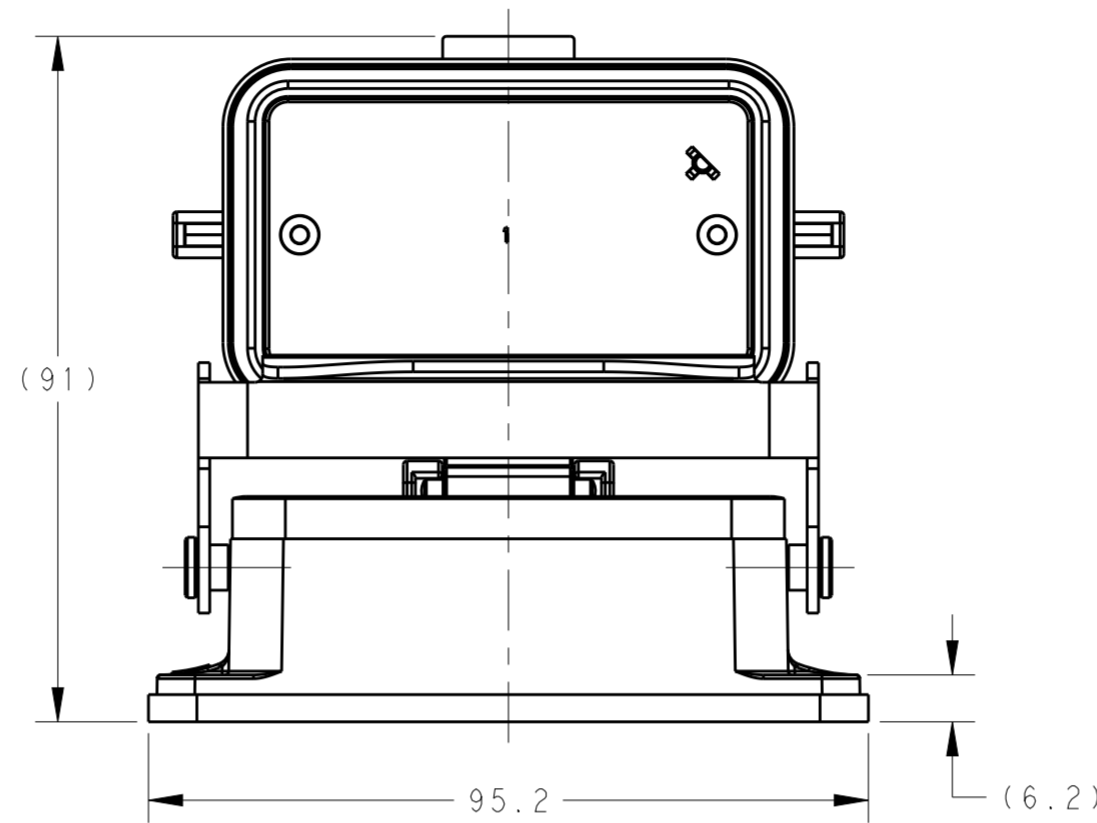
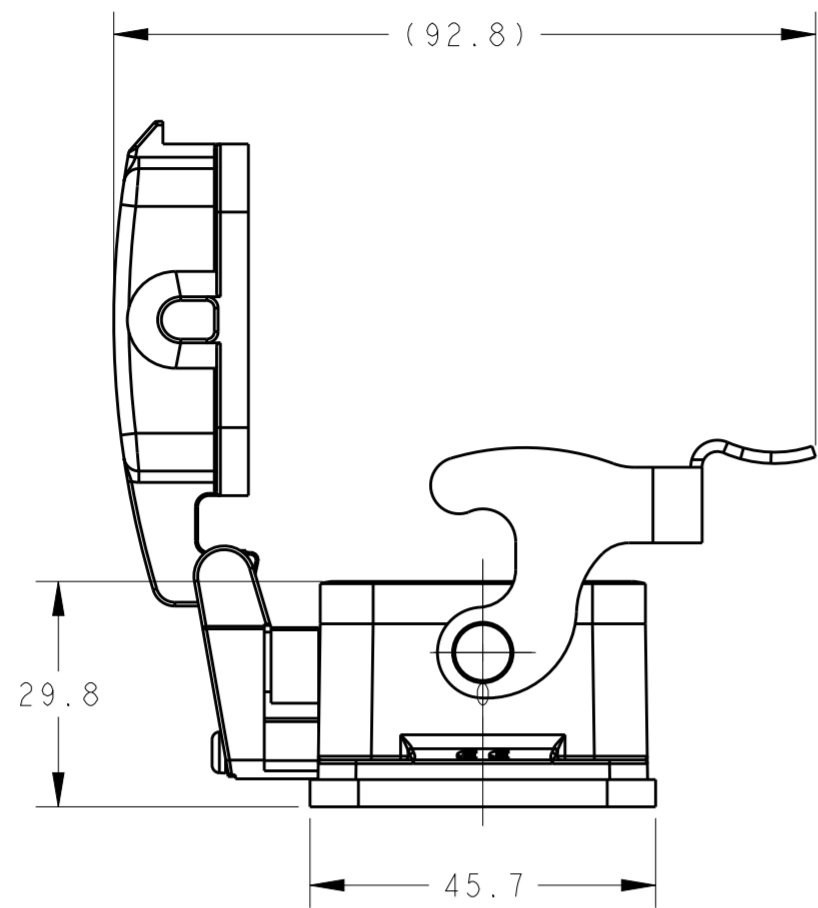


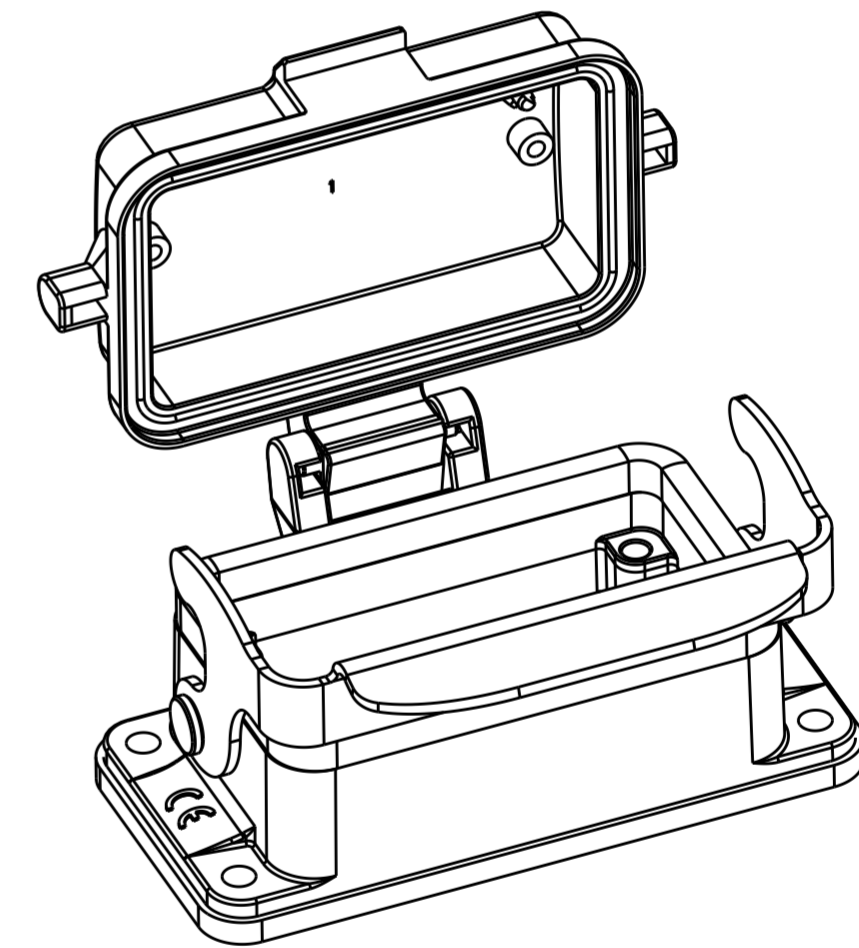
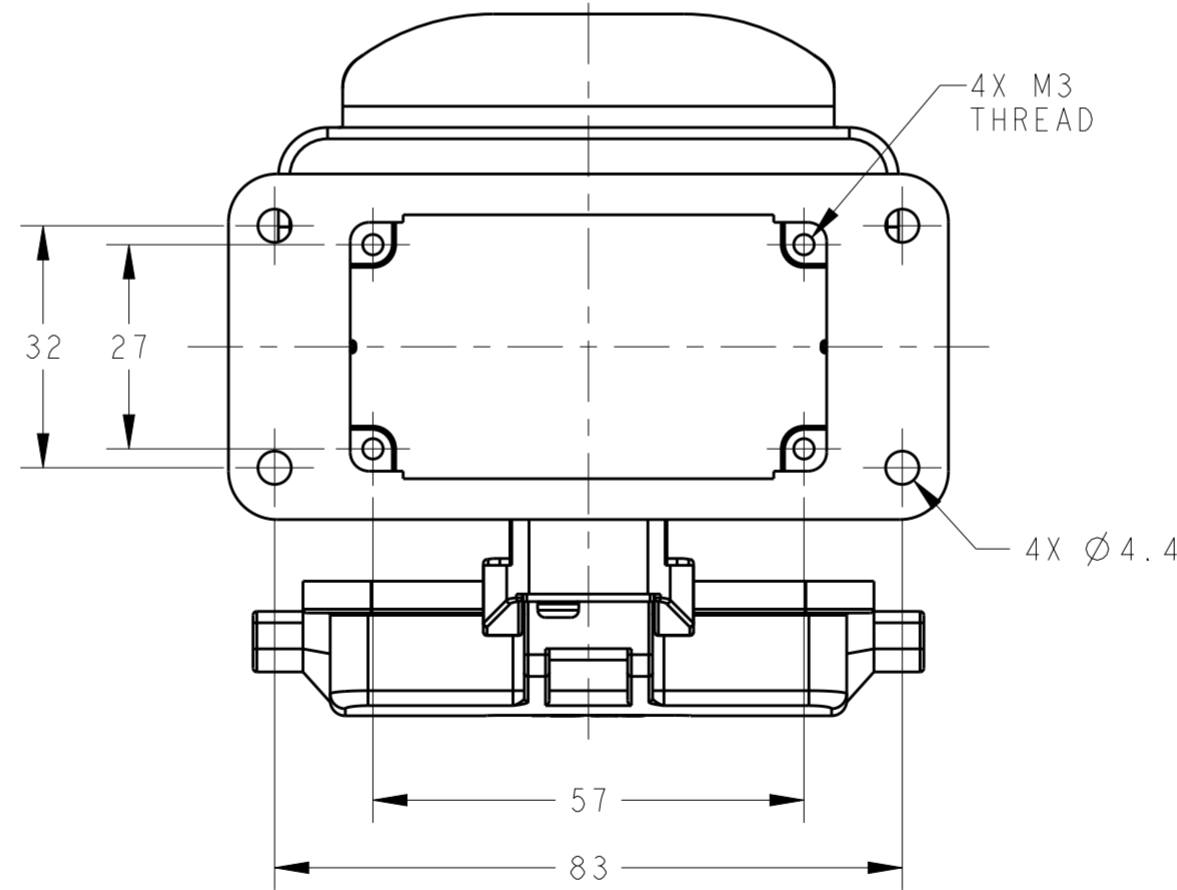
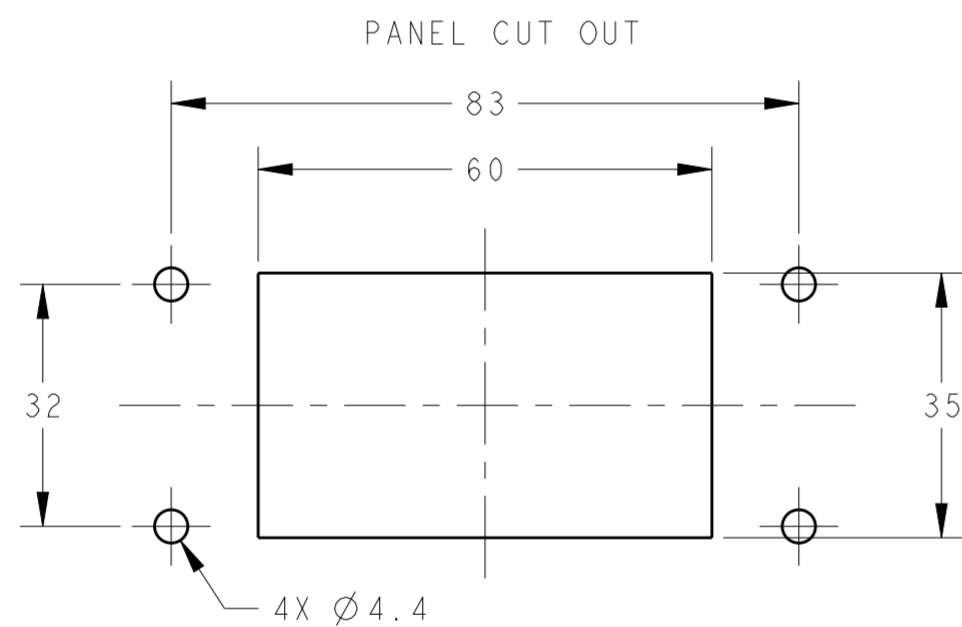
THIS DRAWING IS UNPUBLISHED. RELEASED FOR PUBLICATION 20
 © COPYRIGHT 20 BY - ALL RIGHTS RESERVED.

REVISIONS					
P	LTR	DESCRIPTION	DATE	DWN	APVD
A		INITIAL	25JUN2015	DW	CW
B		ECR-20-008181	13JUL2020	WOR	CW



NOTES:
 1. TECHNICAL CHARACTERISTICS:
 HOUSING MATERIAL: DIE CAST ALUMINIUM ALLOY
 SURFACE: POWDER COATED, GREY
 DEGREE OF PROTECTION: IP65 (MATED)

注释:
 1. 技术参数:
 下壳材料: 铝合金
 表面处理: 粉末涂层, 灰色
 防护等级: IP65(配合)



T1510102000-000	H10B-ADS-LB	H10B HOUSING, BULKHEAD MOUNTED, STAINLESS STEEL SINGLE LOCKING, PLASTIC PROTECTION COVER, POWDER COATED, GREY H10B下壳, 开孔安装, 不锈钢单扣, 带塑料保护盖, 灰色粉末喷涂
PART NUMBER 料号	PART DESCRIPTION 描述	

THIS DRAWING IS A CONTROLLED DOCUMENT.		DWN David Wang 25JUN2015	TE Connectivity				
		CHK Chris Wang 25JUN2015					
		APVD Xiang Xu 25JUN2015					
		PRODUCT SPEC 108-137013					
DIMENSIONS: mm		APPLICATION SPEC 114-137013	NAME H10B-ADS-LB	SIZE	CAGE CODE	DRAWING NO	RESTRICTED TO
TOLERANCES UNLESS OTHERWISE SPECIFIED:		WEIGHT -	A200779		C-T1510102000000		-
0 PLC ±-		Customer Drawing	SCALE 1:1		SHEET 1 OF 1	REV B	
1 PLC ±-							
2 PLC ±-							
3 PLC ±-							
4 PLC ±-							
ANGLES ±-							
FINISH -							
-							