

Servo Motor Controller Core



Power Input

- 24 to 48 VDC for motor power
- 5 VDC for logic power

Digital and Analog IO

- 8 x TTL Digital Inputs
- 3 x TTL Digital Outputs
- 1 x Analog Input 0-5 volt range

Motor Supported

- 2 Phase Stepper Motors
- 3 Phase Rotary Brushless Motors
- 3 Phase Linear and Shaft Motors
- DC Brushed Motors
- Voice Coil Motors

Connector

- 50-Pin Header for I/O & Communication Connector
- 34-Pin Header for Motor and Power Connector
- 2 pin 1mm Connector for Fan Control
- 4 pin 1mm Connector for 2ndSight Communication

Compact / Powerful

The CRX is small in size and yet packed with powerful functions and capabilities.

Universal / Easy

The CRX is easily able to control commonly used motors in the industry.

Advanced / Intuitive

The CRX has many advanced yet simple and intuitive motion functions.

2ndSight Ready

- The CRX-8 is equipped with the 2ndSight motion edge analytics algorithm to predict and detect future failures to increase the uptime and reliability of the motion system.
- The CRX-8 comes with the dedicated 2ndSight communication port for uploading the motion analytics data to the factory server or to the cloud.

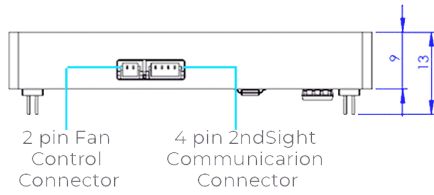
Communication

- 2 x UART Ports (UART/USB/RS485)
- 1 x SPI Communication Port (Ethernet/EtherCAT)
- 1 x 2ndSight Communication Port (RS485)
- Protocols Supported: TITAN-ASCII, MODBUS ASCII/RTU/TCP

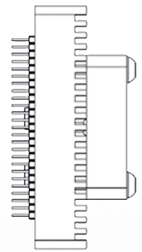
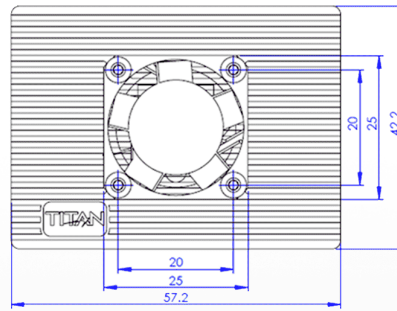
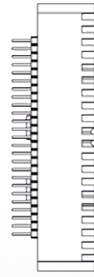
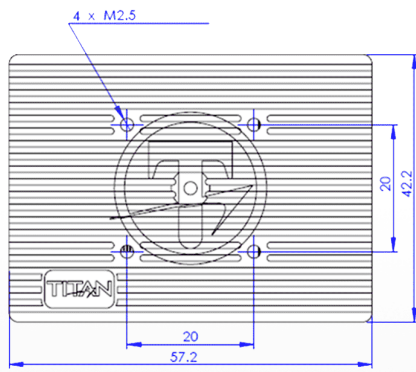
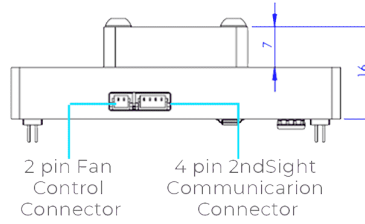
TITAN-CRX-8

Powered by TITAN®

Outer Dimensions



Outer Dimensions with the Fan



*Dimensions in Millimeters

Pin Locations

