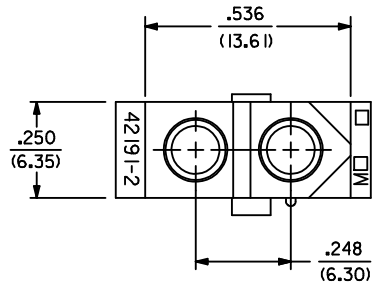
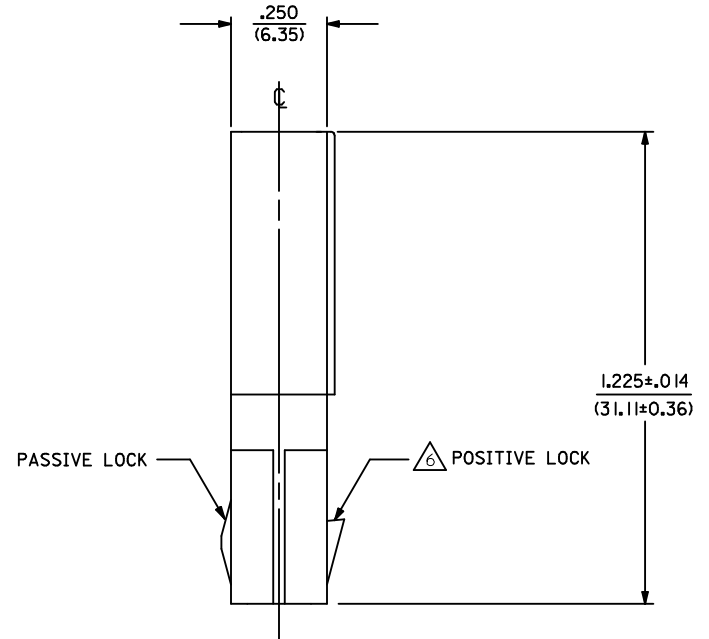
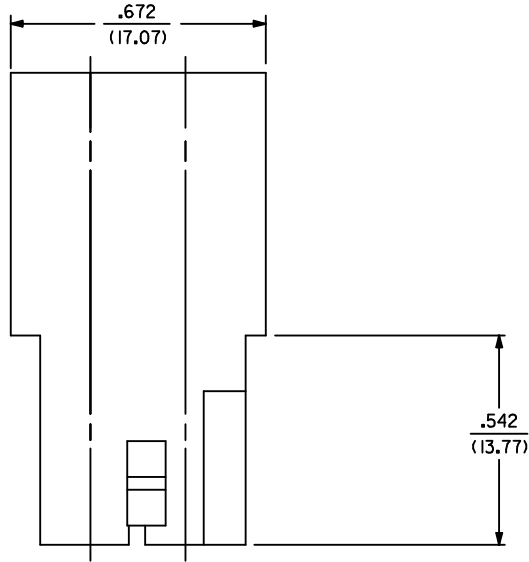
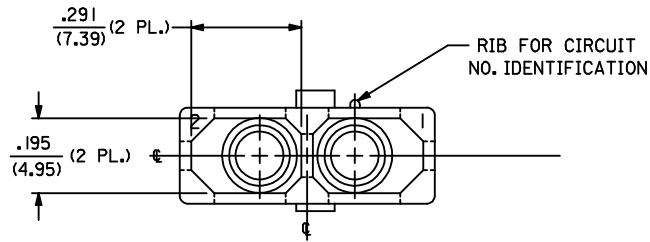


REMOVE OBSOLETE EC NO: UCP2015-1601 DRWN: JDFOX 2014/10/27 CHKD: MKIPPER 2014/10/27 APPR: FSMITH 2014/11/13	QUALITY SYMBOLS	GENERAL TOLERANCES (UNLESS SPECIFIED)		DIMENSION STYLE	SCALE	DESIGN UNITS	THIRD ANGLE PROJECTION
	▽=0	mm	INCH	IN/MM	4:1	INCH	
	▽=0	4 PLACES ± ---	± ---	DRAWN BY	DATE	TITLE	
	▽=0	3 PLACES ± ---	± .010	JDFOX	2014/10/27	.093/(2.36) HOUSING PLUG AND RECEPTACLE 2 CIRCUIT	
	2 PLACES ± .025	± .014	CHECKED BY	DATE	molex DOCUMENT NO. SD-42191-2* SHEET NO. 1 OF 3		
	1 PLACE ± .036	± ---	RW				
	0 PLACE ± ---	± ---	APPROVED BY	DATE			
			FSMITH	2014/11/13			
			ANGULAR ±1/2°				
			DRAFT WHERE APPLICABLE MUST REMAIN WITHIN DIMENSIONS				
			SIZE	SEE CHART			
				THIS DRAWING CONTAINS INFORMATION THAT IS PROPRIETARY TO MOLEX INCORPORATED AND SHOULD NOT BE USED WITHOUT WRITTEN PERMISSION			



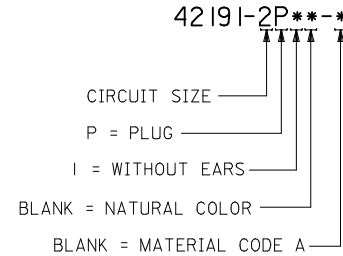
SEE SHEET 1 EC NO: UCP2015-1601 DRAWN: JDOFX 2014/10/27 CHKD: MKIPPER 2014/10/27 APPR: FSMITH 2014/11/13	QUALITY SYMBOLS 	GENERAL TOLERANCES (UNLESS SPECIFIED)		DIMENSION STYLE IN/MM	SCALE 4:1	DESIGN UNITS INCH	THIRD ANGLE PROJECTION																		
		<table border="1"> <thead> <tr> <th></th> <th>mm</th> <th>INCH</th> </tr> </thead> <tbody> <tr> <td>4 PLACES</td> <td>± .005</td> <td>± .0005</td> </tr> <tr> <td>3 PLACES</td> <td>± .005</td> <td>± .010</td> </tr> <tr> <td>2 PLACES</td> <td>± .025</td> <td>± .014</td> </tr> <tr> <td>1 PLACE</td> <td>± .036</td> <td>± .0014</td> </tr> <tr> <td>0 PLACE</td> <td>± .000</td> <td>± .000</td> </tr> </tbody> </table>		mm	INCH	4 PLACES	± .005	± .0005	3 PLACES	± .005	± .010	2 PLACES	± .025	± .014	1 PLACE	± .036	± .0014	0 PLACE	± .000	± .000	DRAWN BY JDOFX	DATE 2014/10/27	TITLE .093/(2.36) HOUSING PLUG AND RECEPTACLE 2 CIRCUIT		
			mm	INCH																					
		4 PLACES	± .005	± .0005																					
3 PLACES	± .005	± .010																							
2 PLACES	± .025	± .014																							
1 PLACE	± .036	± .0014																							
0 PLACE	± .000	± .000																							
APPROVED BY FSMITH	DATE 2014/11/13	molex																							
MATERIAL NO. SEE CHART	DOCUMENT NO. SD-42191-2*	SHEET NO. 2 OF 3																							

ANGULAR ±1/2°
 DRAFT WHERE APPLICABLE MUST REMAIN WITHIN DIMENSIONS
 THIS DRAWING CONTAINS INFORMATION THAT IS PROPRIETARY TO MOLEX INCORPORATED AND SHOULD NOT BE USED WITHOUT WRITTEN PERMISSION

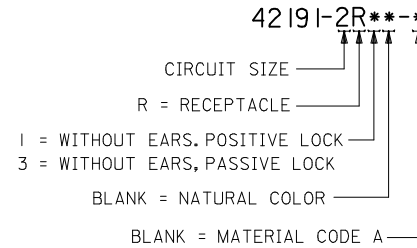
PLUG	
PART NO.	ENG. NO.
03-09-2161	42191-2P1

RECEPTACLE	
PART NO.	ENG. NO.
03-09-1161	42191-2R1
03-09-1163	42191-2R3

LEGEND: PLUG



LEGEND: RECEPTACLE



NOTES:

- MATERIAL CODES:
A = NYLON TYPE 6/6, 94V-2
- FINISH: NONE.
- PRODUCT SPECIFICATION: NONE.
- PACKAGING INFORMATION: NONE.
- PART ACCEPTS DOUBLE WIRE CRIMPS OF 18 AWG MAXIMUM. EACH CIRCUIT WILL ALLOW ONE OF THE WIRES TO HAVE AN INSULATION THICKNESS OF .062/(1.57), THE OTHER HAVING AN INSULATION THICKNESS OF .031/(0.79).
- LOCK RAMP STYLE IS OPTIONAL ON THIS SIDE OF PART. CHOICE OF EITHER A POSITIVE LOCK RAMP OR A PASSIVE LOCK RAMP IS AVAILABLE.
- PARTS CONFORM TO CLASS "B" REQUIREMENTS OF COSMETIC SPECIFICATION PS-45499-002.

SEE SHEET 1 EC NO: UCP2015-1601 DRWN: JDFOX 2014/10/27 CHKD: HKIPPER 2014/10/27 APPR: FSMITH 2014/11/13	QUALITY SYMBOLS	GENERAL TOLERANCES (UNLESS SPECIFIED)	DIMENSION STYLE IN/MM	SCALE 4:1	DESIGN UNITS INCH	THIRD ANGLE PROJECTION
	▽=0	mm INCH	DRAWN BY DATE JDFOX 2014/10/27	TITLE .093/(2.36) HOUSING PLUG AND RECEPTACLE 2 CIRCUIT		
	▽=0	4 PLACES ± --- ± --- 3 PLACES ± --- ± .010 2 PLACES ± .025 ± .014 1 PLACE ± .036 ± --- 0 PLACE ± --- ± ---	CHECKED BY DATE RW	 SD-42191-2*		
	▽=0	ANGULAR ±1/2°	APPROVED BY DATE FSMITH 2014/11/13			
REV	DESCRIPTION	DRAFT WHERE APPLICABLE MUST REMAIN WITHIN DIMENSIONS	SIZE C	THIS DRAWING CONTAINS INFORMATION THAT IS PROPRIETARY TO MOLEX INCORPORATED AND SHOULD NOT BE USED WITHOUT WRITTEN PERMISSION		