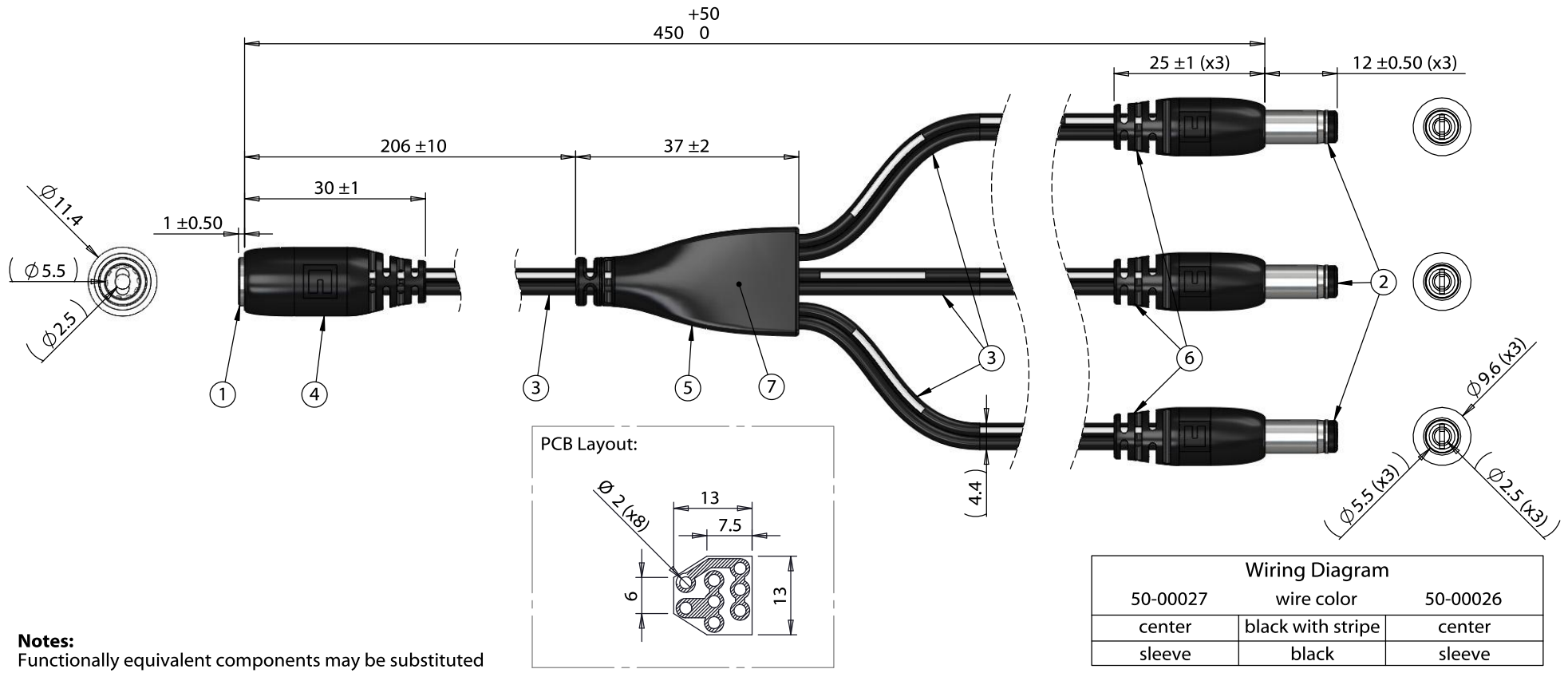


ITEM NO.	PART NUMBER	DESCRIPTION	QTY.	COMPONENT NOTES
1	50-00027	Connector, dc jack, 5.5x2.5xL17.4 mm, molding style	1	
2	50-00026	Connector, dc plug, 5.5x2.5xL23 mm, molding style, spring contacts	3	
3	30-00007	Wire, 2C BC, 18 AWG, UL2468, 300V, 80C, 4.4 mm, VW-1, PVC, 87A	4	
4	24-00004	Overmold, PVC	1	black
5	24-00186	Overmold, splitter, Ø 8.0 mm by 10.0x18.0 mm	1	black
6	24-00003	Overmold, PVC	3	black
7	PCB	Splitter PCB, FR4, two-layer, tin, 13.0x13.0x1.6 mm	1	



Notes:
Functionally equivalent components may be substituted

Revision:	Date:	Description:
A	4/10/2018	Initial release

Prepared: JP
Digitally signed by JP
Date: 2018.04.11 11:48:51 -07'00'

Verified: AW
Digitally signed by AW
Date: 2018.04.11 16:25:16 -07'00'

Dimensions are in millimeters.
Tolerances:
X: ± 0.5 mm
X.X: ± 0.3 mm
X.XX: ± 0.05 mm

Notes:
RoHS compliant
Function test: no open, no short circuit, no intermittent

Description:
Cable, 450 mm, 5.5x2.5 mm 50-00027 dc jack to splitter to 3x 5.5x2.5x12 mm 50-00026 dc plug, 18 AWG

TENSILITY

tel 1.541.323.3228 800 877.670.7118
fax 1.541.323.4202 web tensility.com

Size: A Part number: 10-02726

Scale: 1:1

Sheet 1 of 1