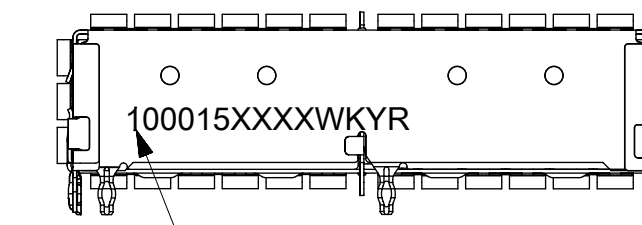
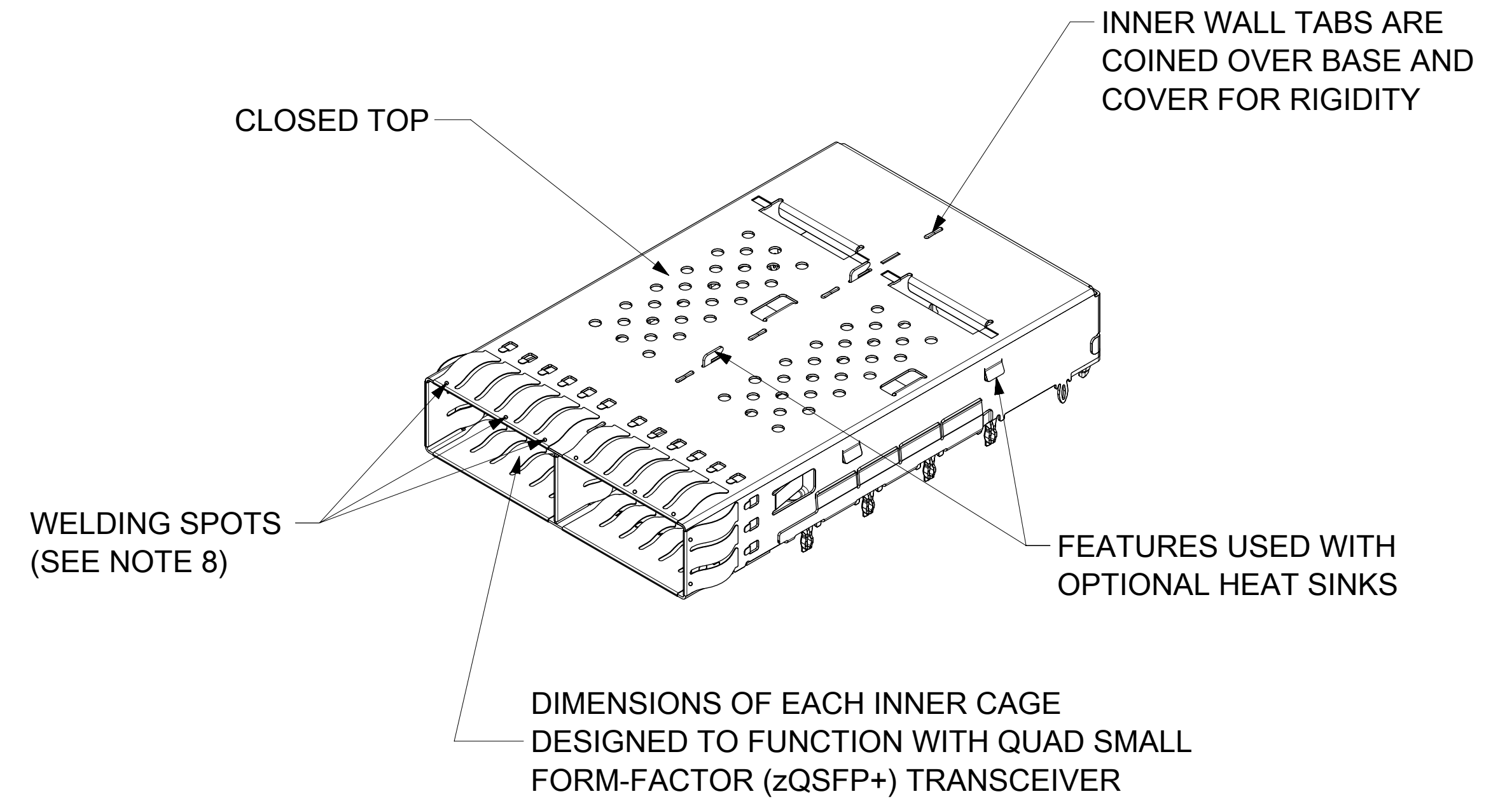
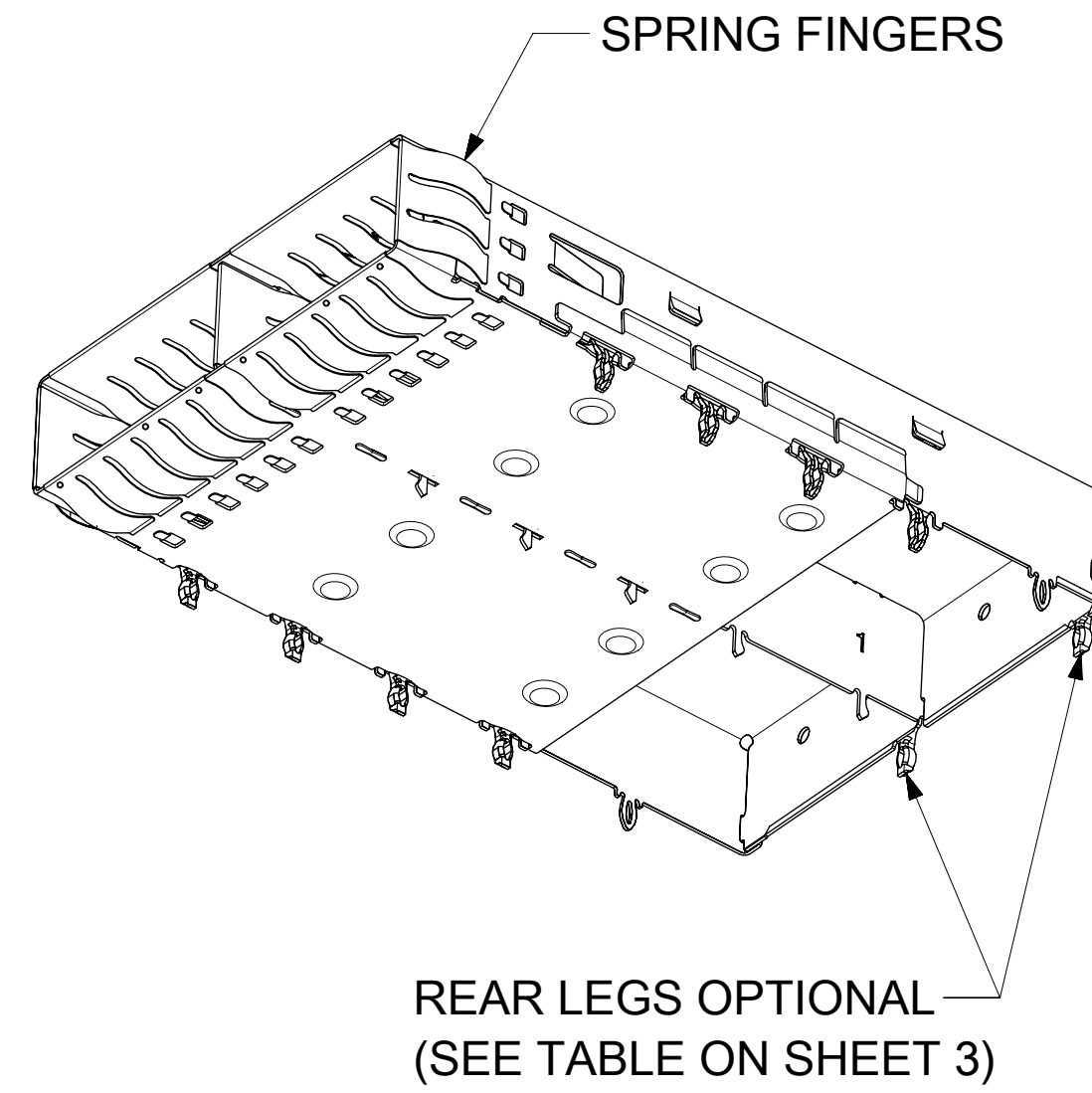
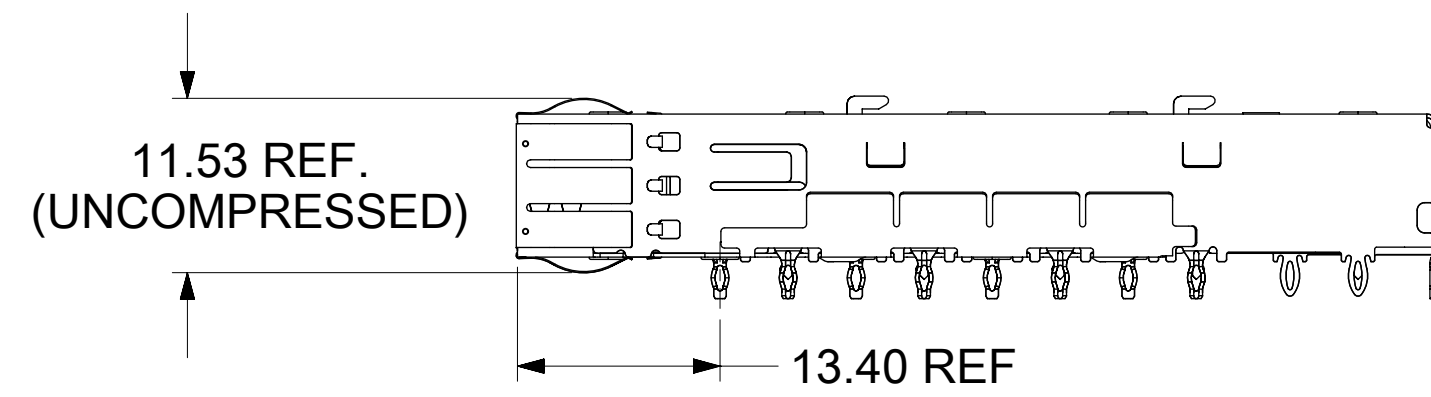
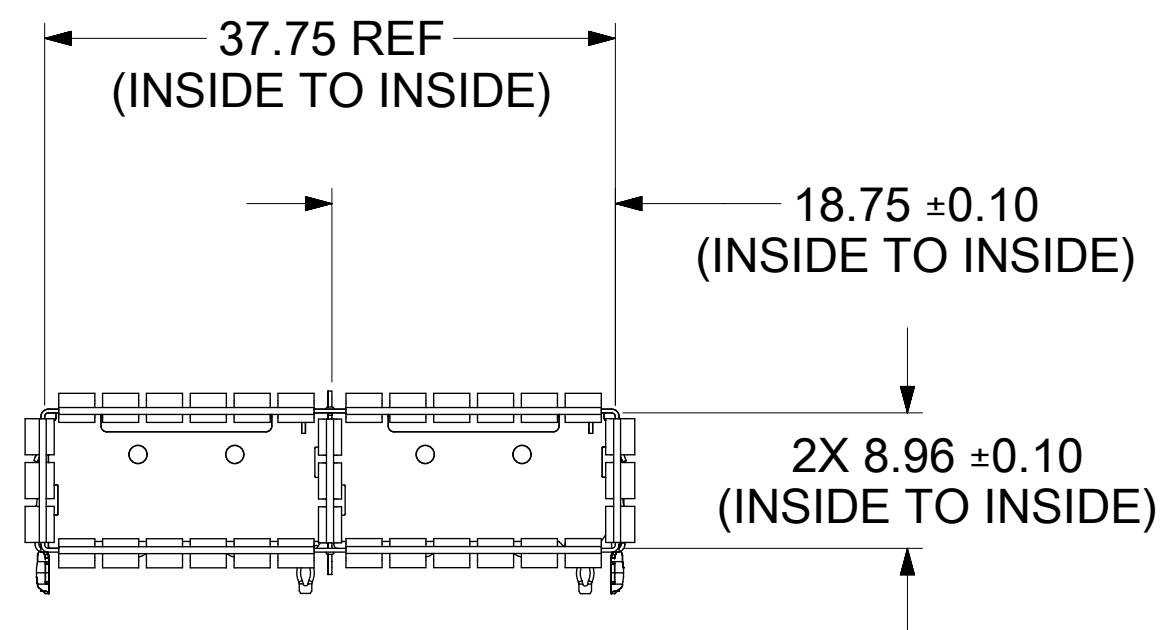
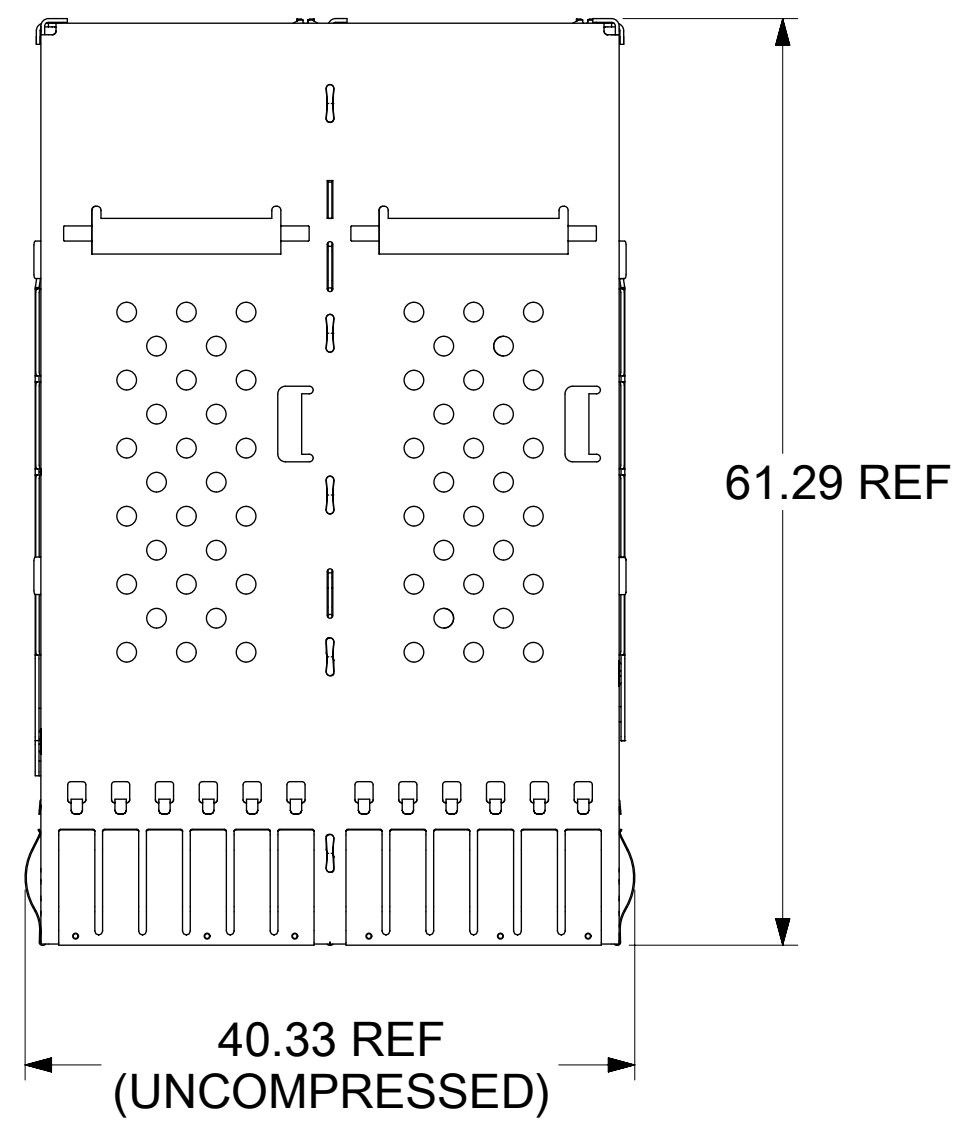


BASIC CAGE DETAILS

1000159242 SHOWN



P/N AND WEEK/YEAR DATE CODE TO BE PRINTED ON BACK OF COMPLETED CAGE ASSEMBLY APPROXIMATELY AS SHOWN. SEE TABLE BELOW FOR DATE CODE INFORMATION.

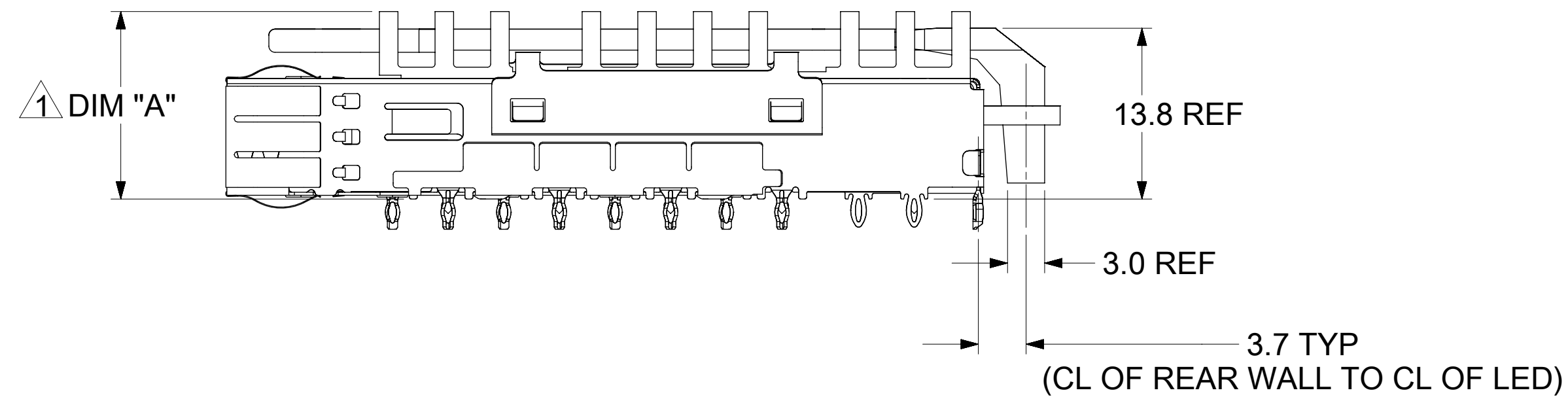
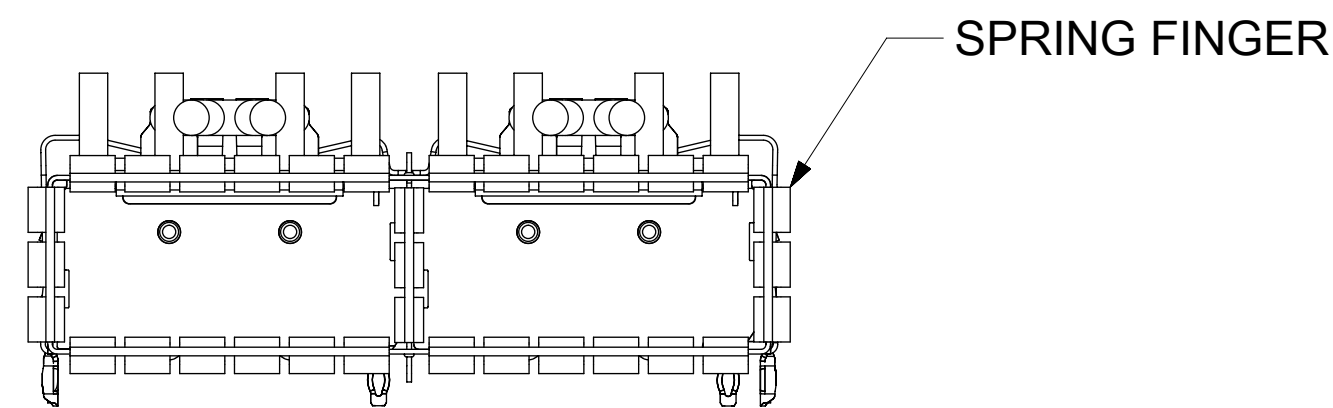
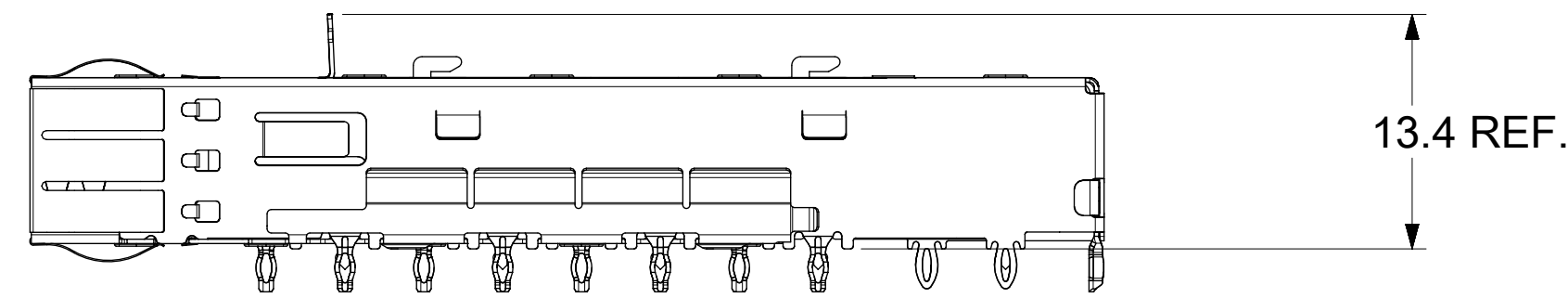
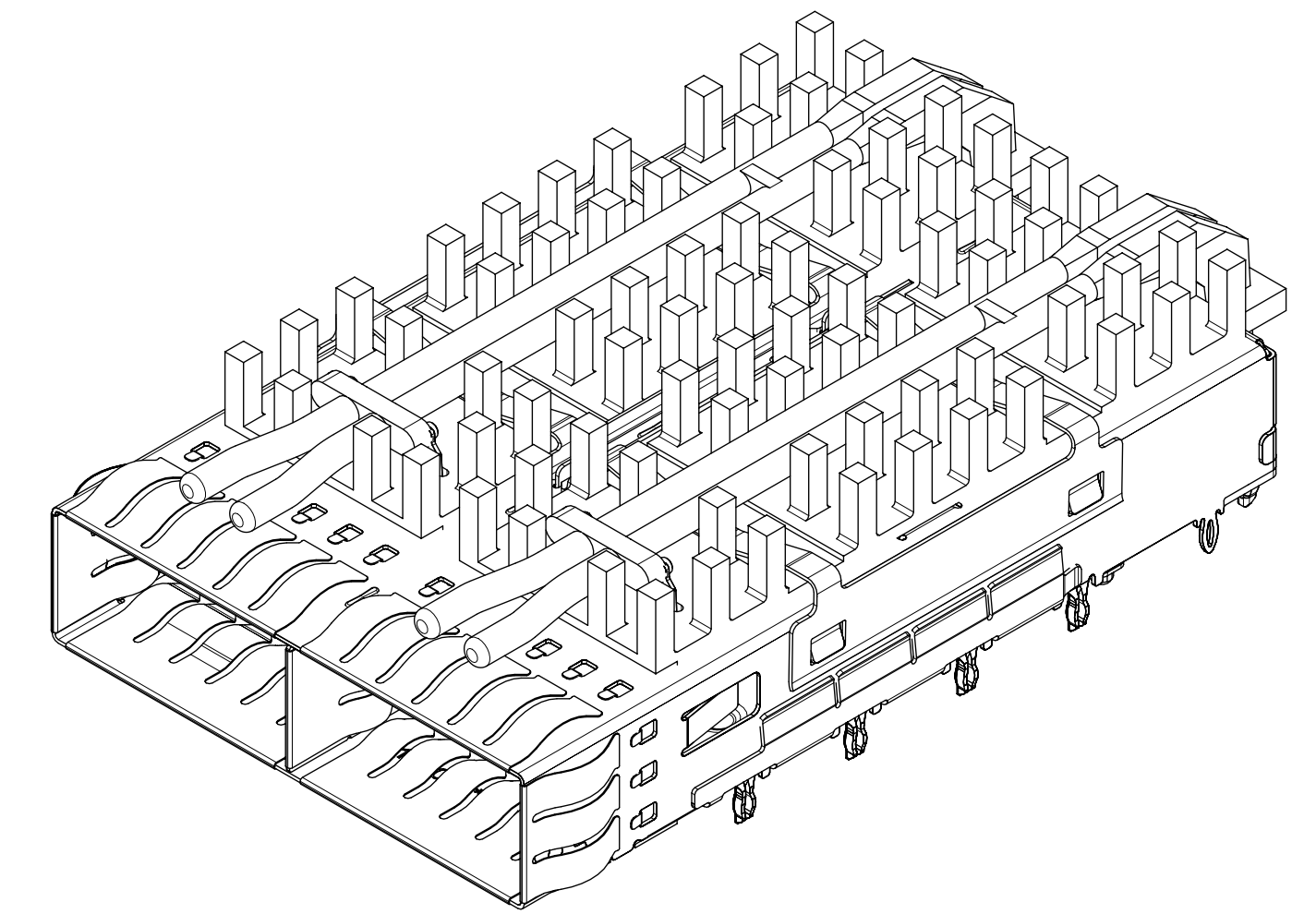
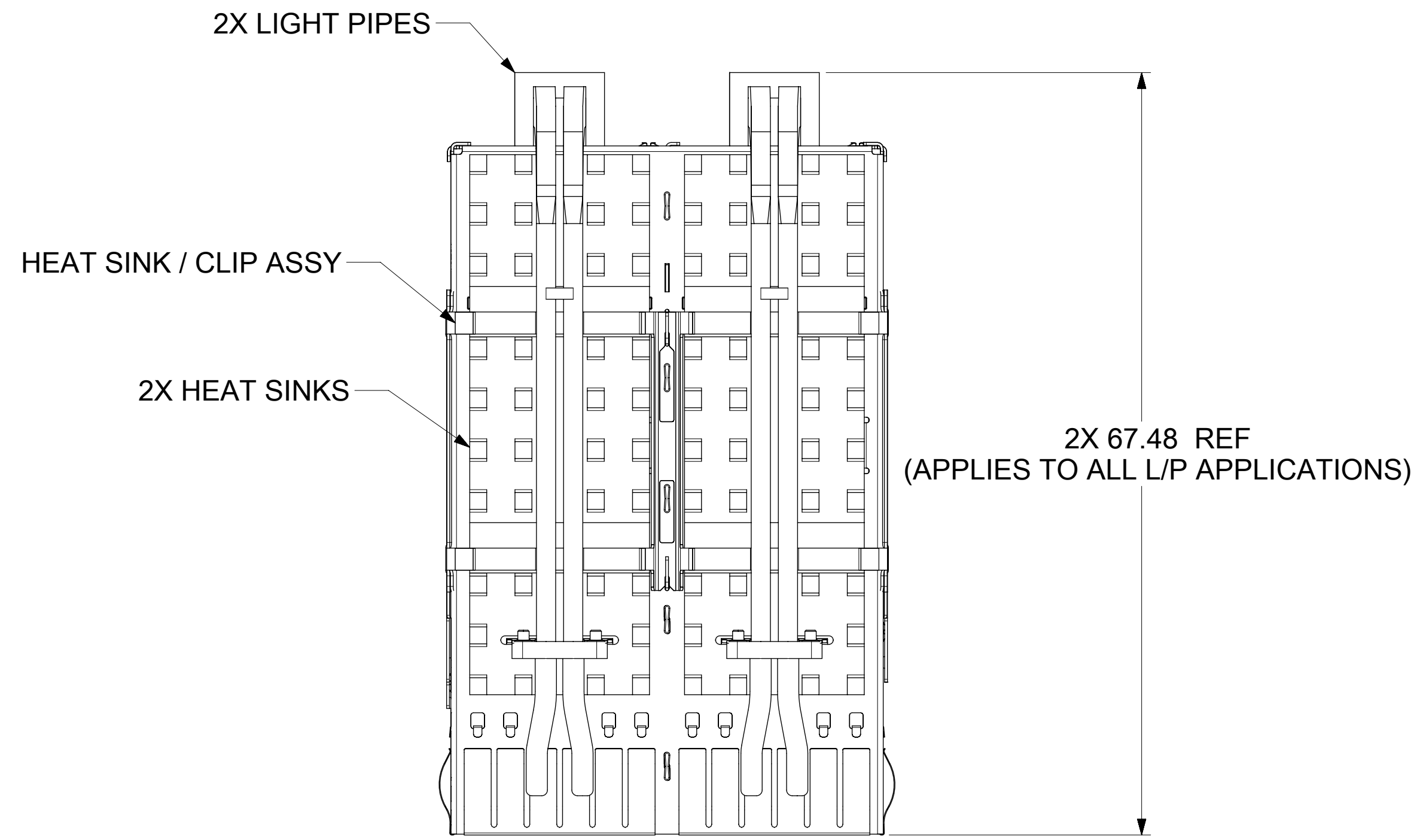
- NOTES:
- MATERIAL: CAGE: STAINLESS STEEL
 CENTER WALLS: STAINLESS STEEL
 SPRING FINGERS: STAINLESS STEEL
 HEAT SINKS: NICKEL PLATED ALUMINUM
 HEAT SINK CLIP: STAINLESS STEEL
 LIGHT PIPES: POLYCARBONATE (UL 94V-0)
 - DRAWING APPLIES TO ALL P/N'S SHOWN ON PAGE 3
 - DURING FINAL INSPECTION, CAGE LEG LOCATIONS AND STRAIGHTNESS MUST BE CHECKED USING APPROPRIATE GO - NO GO GAGE
 - DURING FINAL INSPECTION, CAGE MUST BE INSPECTED TO MAKE SURE LEG CONFIGURATIONS AND PART NUMBERS ARE CORRECT, USE SHEETS 3, 4 AND 5
 - PARTS TO BE INSPECTED PER MOLEX COSMETIC SPEC WI-HP-7-2774 (CLASS B UNLESS OTHERWISE SPECIFIED)
 - PRESS-FIT LEGS 2.44 LONG -
 1.57 MINIMUM PCB THICKNESS FOR SINGLE SIDED USE.
 2.70 MINIMUM PCB THICKNESS FOR BELLY TO BELLY USE.
 - NO RoHS EXEMPTIONS
 - WELD SPOTS MAY SHOW SLIGHT MATERIAL DISCOLORATION

| | |
|----|---|
| WK | WEEK OF THE YEAR 01 THRU 52 (EXAMPLE: 01= FIRST WEEK OF YEAR 52= LAST WEEK OF YEAR) |
| YR | 22, 23, 24 ETC.. (EXAMPLE: YEAR 2022= 22) |

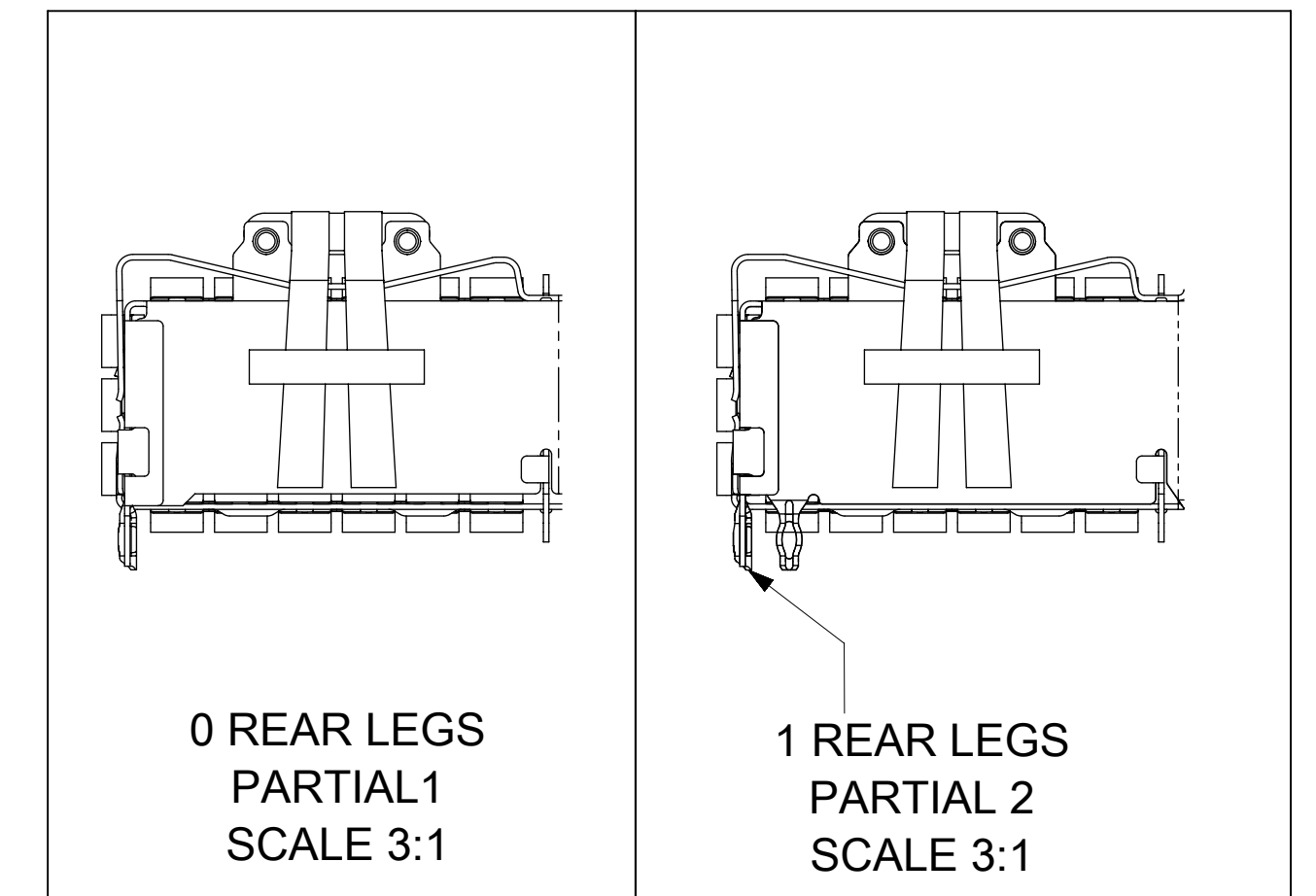
| | | | | | | | |
|--|----|---|-----|---------------------------------------|--|--|--|
| FUNCTIONAL SYMBOLS | | THIS DRAWING CONTAINS INFORMATION THAT IS PROPRIETARY TO MOLEX ELECTRONIC TECHNOLOGIES, LLC AND SHOULD NOT BE USED WITHOUT WRITTEN PERMISSION | | CURRENT REV DESC: SEE REV TABLE | | | |
| FA = 0 | mm | SCALE | 2:1 | GENERAL TOLERANCES (UNLESS SPECIFIED) | | | |
| FC = 0 | | ANGULAR TOL ± 2.0° | | 4 PLACES ± | | EC NO: 698869 | |
| FD = 0 | | 3 PLACES ± | | 2 PLACES ± 0.13 | | DRWN: VISHNM2 2022/02/17 | |
| DIVISIONAL SYMBOLS | | 1 PLACE ± 0.25 | | 0 PLACES ± | | CHK'D: TKUMARKC 2022/03/16 | |
| DRAFT WHERE APPLICABLE MUST REMAIN WITHIN DIMENSIONS | | THIRD ANGLE PROJECTION | | DRAWING | | SERIES | |
| | | D-SIZE | | 100015 | | INITIAL REVISION: DRWN: VISHNM2 2022/02/17 | |
| | | | | | | APPR: JCHIANG 2022/03/21 | |
| DOCUMENT STATUS | | P1 | | RELEASE DATE | | 2022/03/21 05:07:54 | |
| DOCUMENT NUMBER | | 1000153200 | | DOC TYPE | | PSD ASY A | |
| MATERIAL NUMBER | | SEE P/N TABLE | | CUSTOMER | | GENERAL MARKET | |
| SHEET NUMBER | | 1 OF 7 | | | | | |

CAGE ASSEMBLY OPTIONS

1000159544 SHOWN



REAR LEG OPTIONS

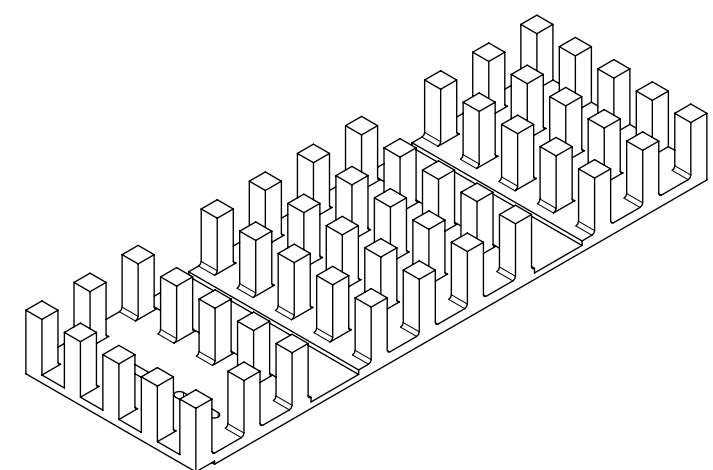


HEATSINK HEIGHT OPTIONS

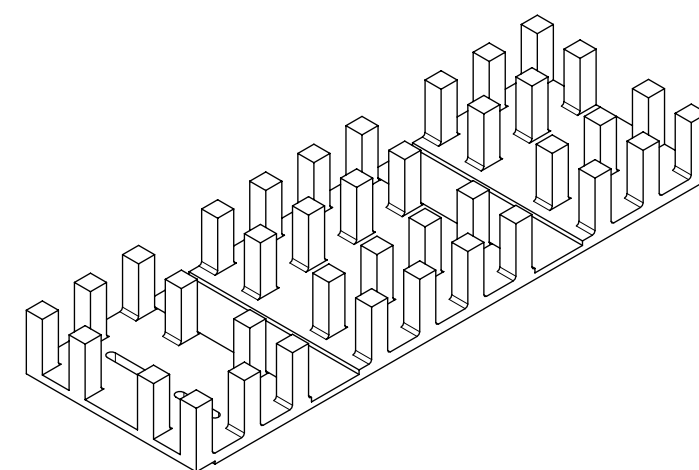
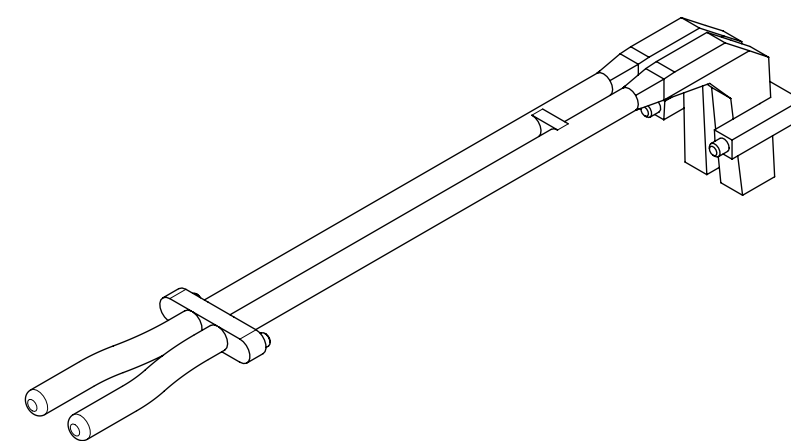
| OVERALL HEAT SINK HEIGHT | DIM "A" |
|--------------------------|----------|
| PCI | 13.7 REF |
| SAN | 16.0 REF |
| NET | 23.0 REF |

NOTE:
 △ HEIGHT OF HEAT SINK WITH MODULE INSERTED.
 DIMENSION MAY BE LESS DUE TO MODULE AND HEAT SINK VARIATIONS

HEATSINK
USED
WITHOUT
LIGHTPIPE

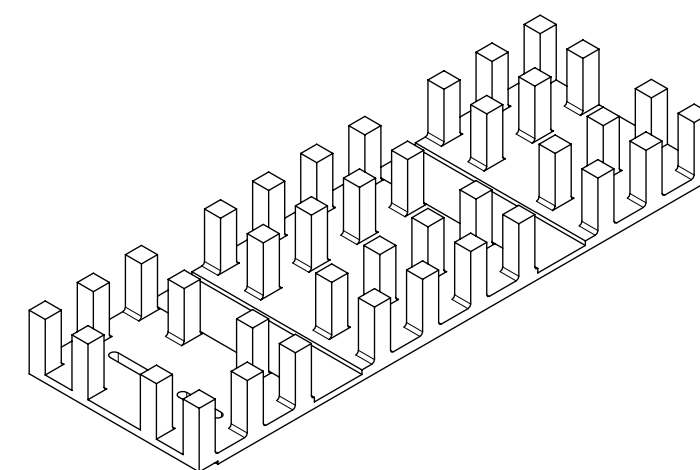
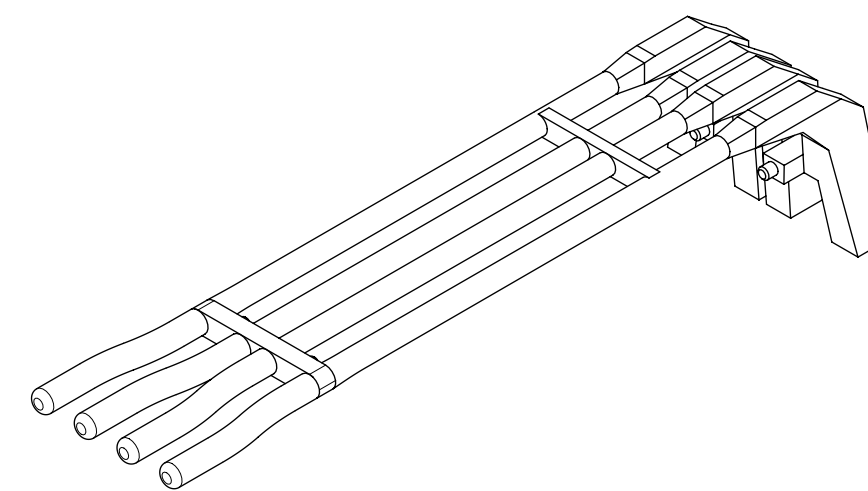


DUAL LIGHT PIPE



HEATSINK

QUAD LIGHT PIPE

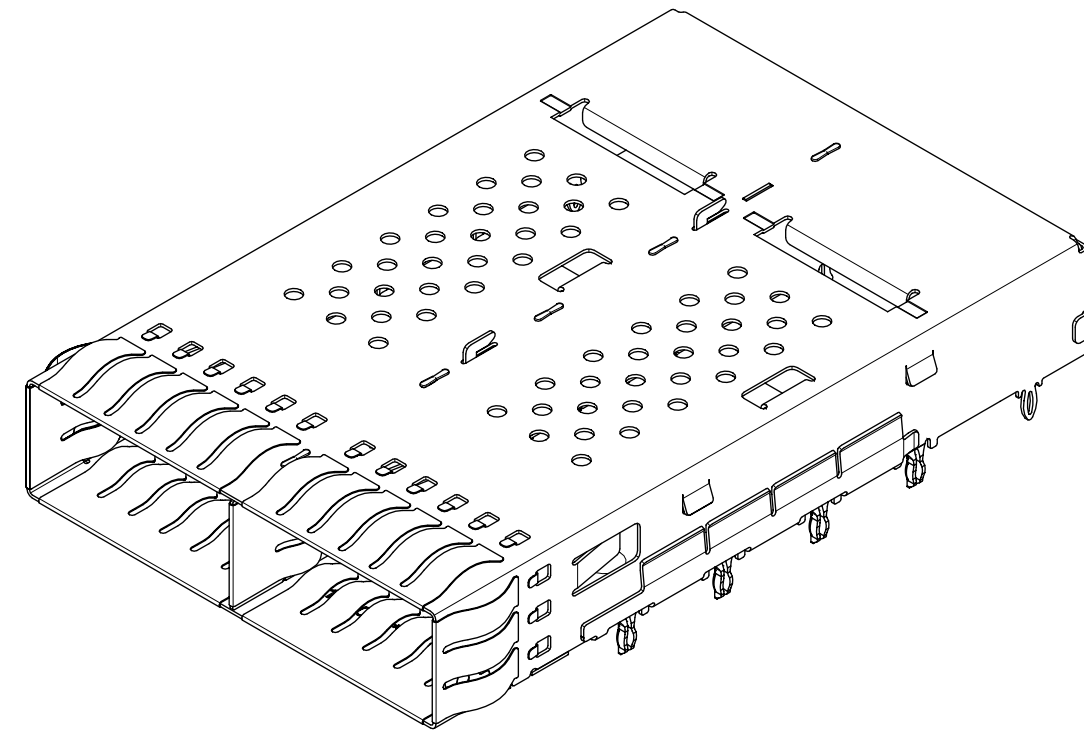


HEATSINK

| | | | | |
|--|---|------------------------|---------------------------------|------------|
| FUNCTIONAL SYMBOLS FA = 0 FE = 0 FP = 0 DIVISIONAL SYMBOLS | THIS DRAWING CONTAINS INFORMATION THAT IS PROPRIETARY TO MOLEX ELECTRONIC TECHNOLOGIES, LLC AND SHOULD NOT BE USED WITHOUT WRITTEN PERMISSION | | CURRENT REV DESC: SEE REV TABLE | |
| | DIMENSION UNITS | SCALE | EC NO: 698869 | |
| | mm | 2:1 | DRWN: VISHNM2 | 2022/02/17 |
| | GENERAL TOLERANCES (UNLESS SPECIFIED) | | CHK'D: TKUMARKC | 2022/03/16 |
| ANGULAR TOL ± 2.0° | | APPR: JCHIANG | 2022/03/21 | |
| 4 PLACES | ± | INITIAL REVISION: | | |
| 3 PLACES | ± | DRWN: VISHNM2 | 2022/02/17 | |
| 2 PLACES | ± 0.13 | APPR: JCHIANG | 2022/03/21 | |
| 1 PLACE | ± 0.25 | THIRD ANGLE PROJECTION | | |
| 0 PLACES | ± | DRAWING | SERIES | |
| DRAFT WHERE APPLICABLE MUST REMAIN WITHIN DIMENSIONS | | ⊕ | D-SIZE | 100015 |
| DOCUMENT NUMBER | DOC TYPE | DOC PART | REVISION | |
| 1000153200 | PSD | ASY | A | |
| MATERIAL NUMBER | CUSTOMER | SHEET NUMBER | | |
| SEE P/N TABLE | GENERAL MARKET | 2 OF 7 | | |

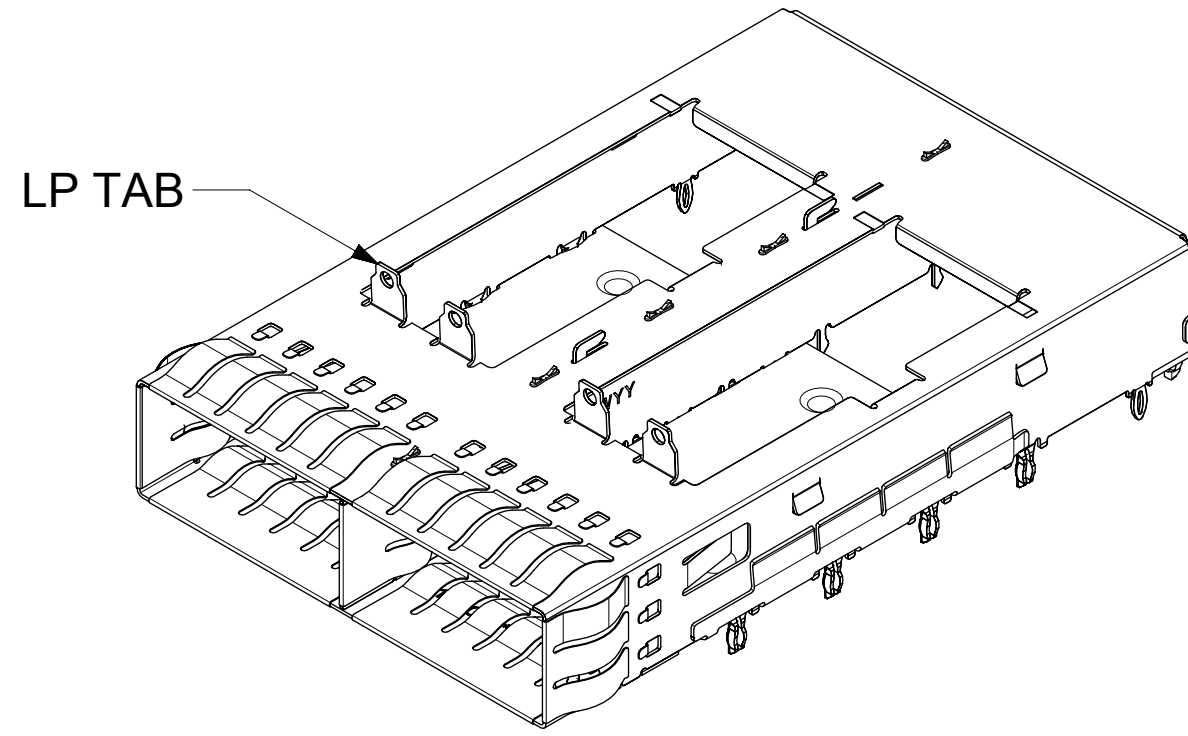
PART NUMBER SELECTION

NO HEATSINKS
NO LIGHT PIPES
CLOSED TOP



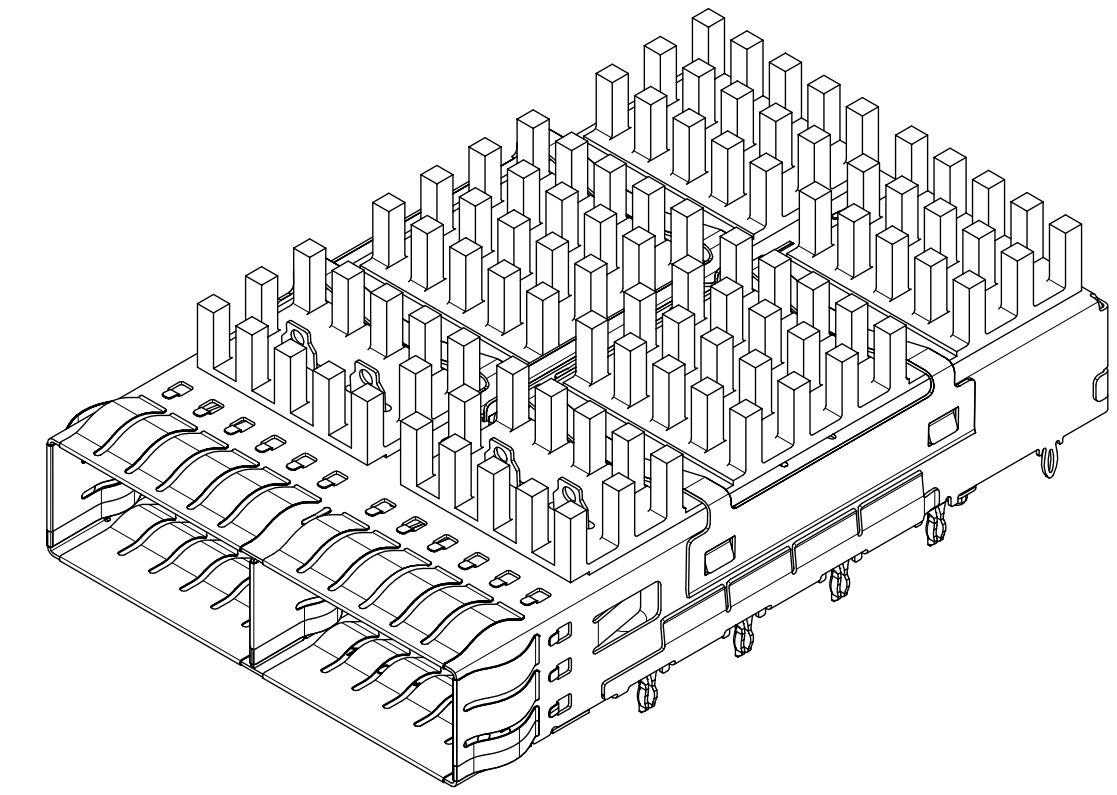
| MOLEX P/N W/ SPRING FINGERS | #OF REAR LEGS PER PORT |
|--------------------------------|---------------------------|
| 1000159242 | 1 |

NO HEATSINKS
NO LIGHT PIPES
OPEN TOP



| MOLEX P/N W/ SPRING FINGERS | #OF REAR LEGS PER PORT | LP TAB |
|--------------------------------|---------------------------|--------|
| 1000159250 | 0 | YES |
| 1000153252 | 1 | YES |

WITH HEATSINKS
NO LIGHT PIPES

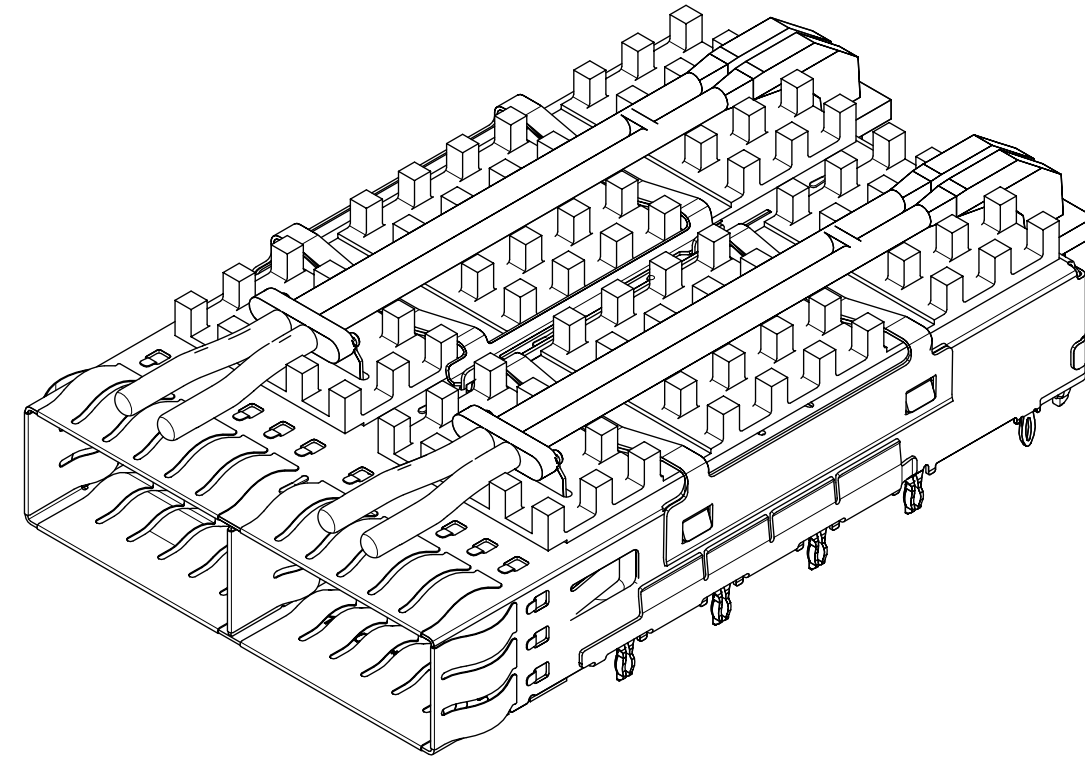


| MOLEX P/N | HEAT SINK | #OF REAR LEGS PER PORT |
|------------|-----------|---------------------------|
| 1000153340 | PCI | 0 |
| 1000159341 | SAN | 0 |
| 1000159242 | NET | 0 |
| 1000153343 | PCI | 1 |
| 1000153344 | SAN | 1 |
| 1000153345 | NET | 1 |

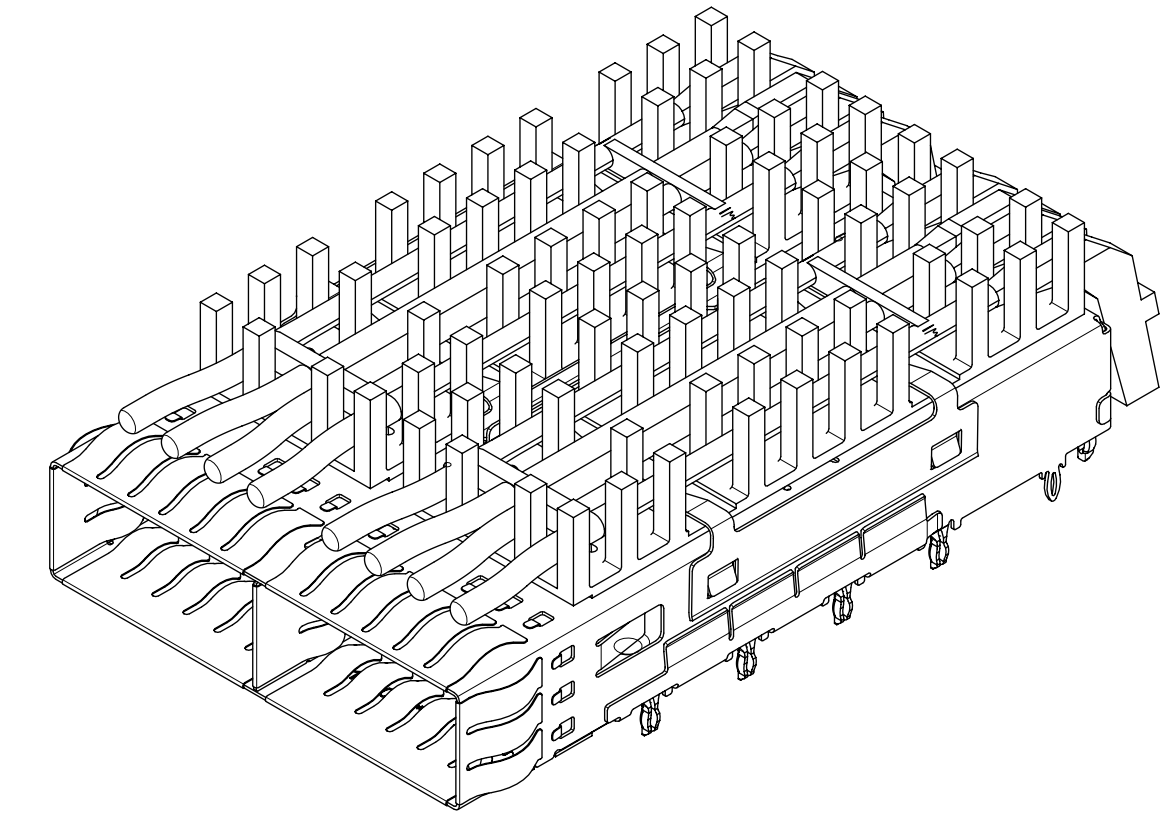
WITH HEATSINKS AND LIGHT PIPES

| MOLEX P/N | LIGHTPIPES | HEATSINKS | #OF REAR LEGS PER PORT | LP SHIELD |
|------------|------------|-----------|---------------------------|-----------|
| 1000153444 | DUAL | SAN | 0 | 0 |
| 1000153446 | QUAD | PCI | 0 | 0 |
| 1000153447 | QUAD | SAN | 0 | 0 |
| 1000159544 | DUAL | SAN | 1 | 0 |

DUAL LIGHT PIPE



QUAD LIGHT PIPE

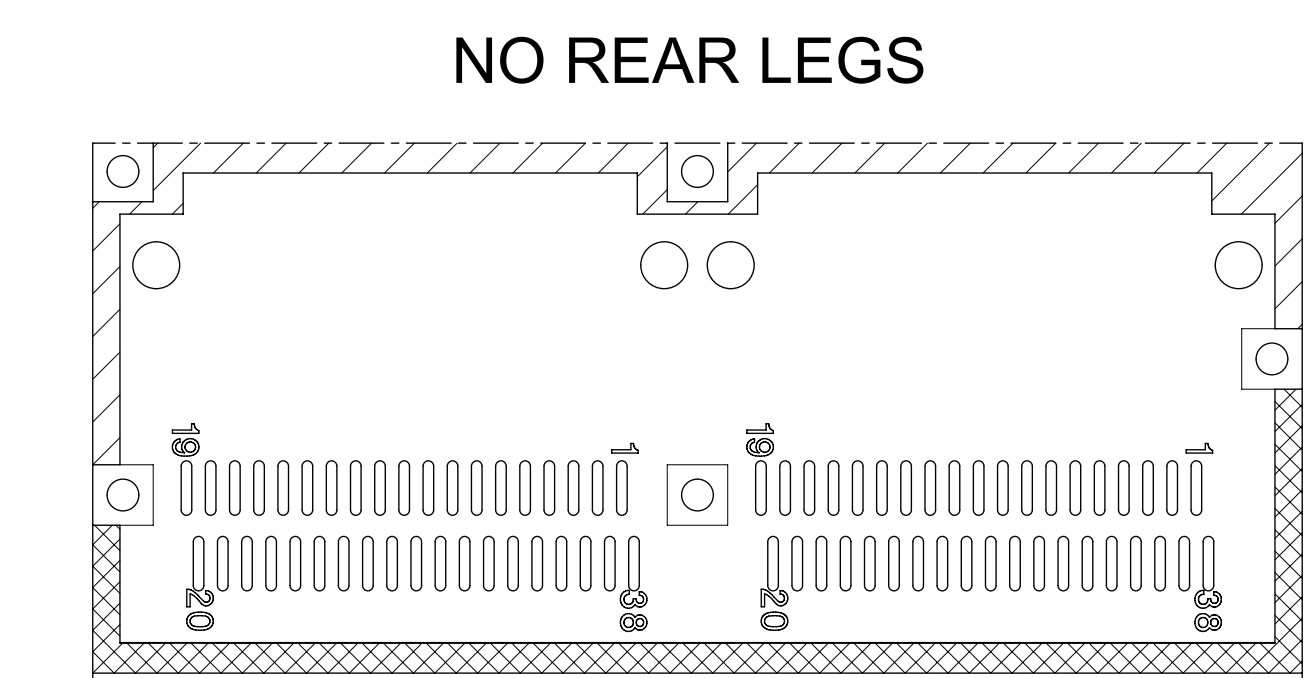
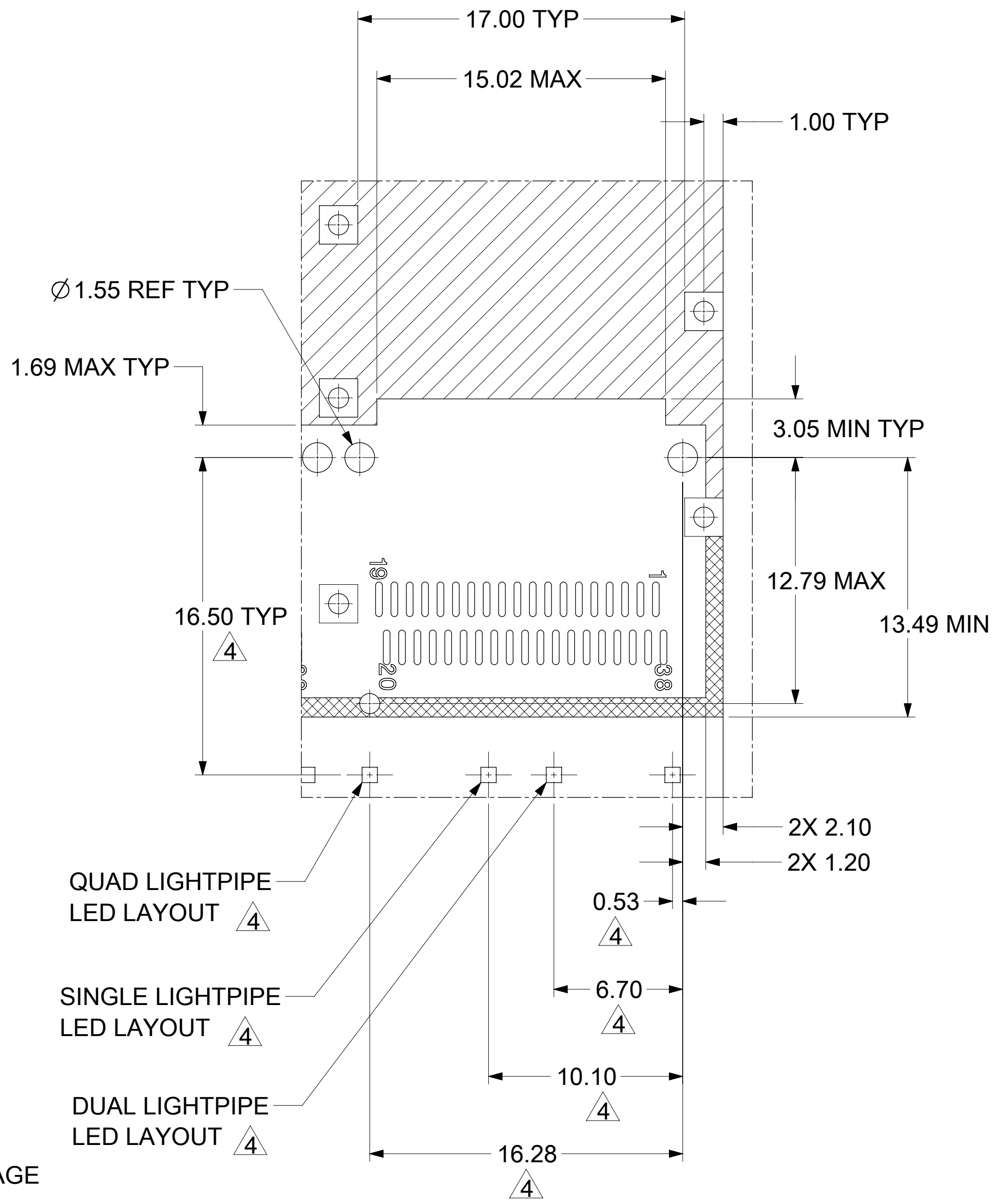
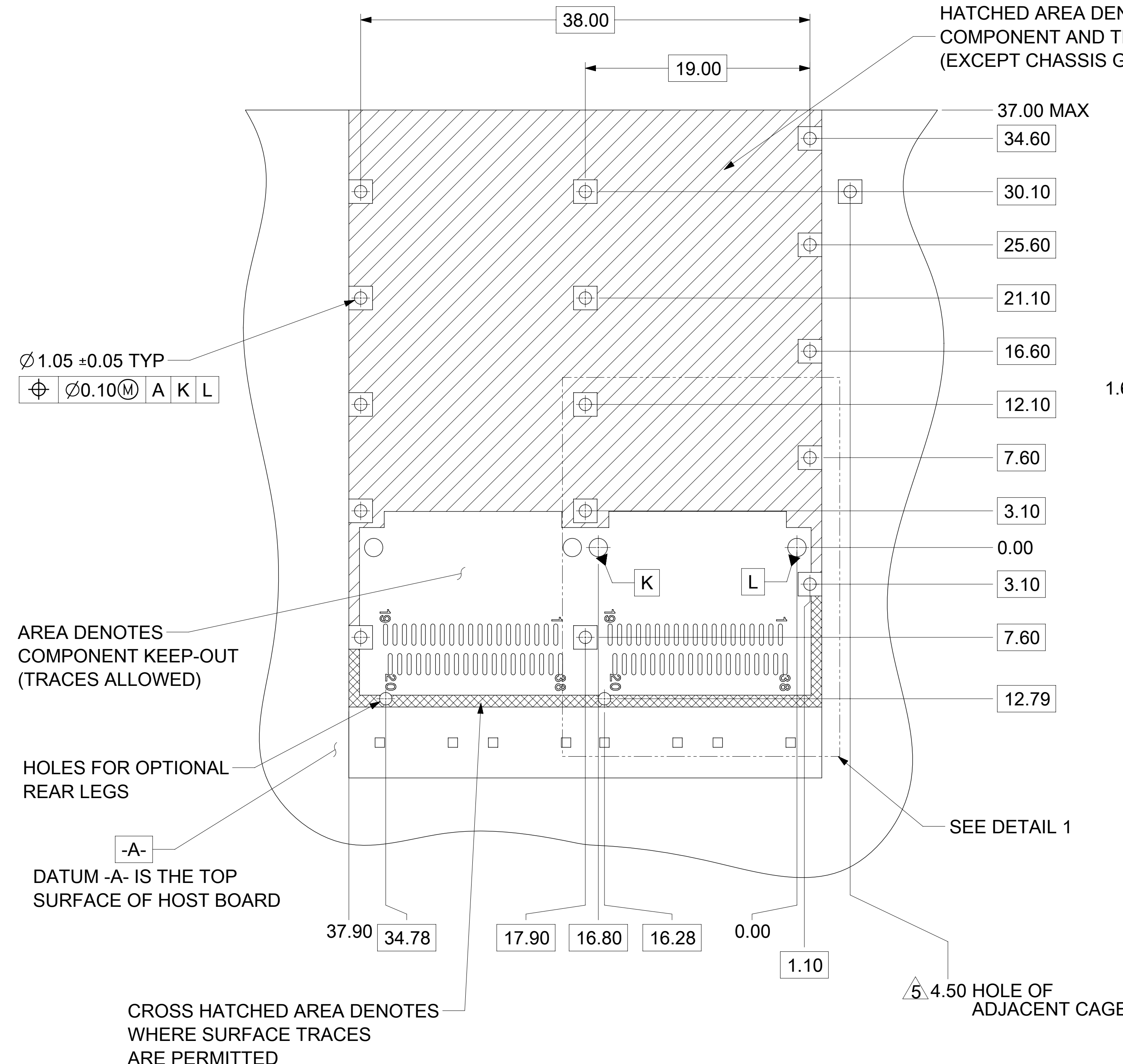


| | | | | | | | | | | | | | |
|--|---|--|----------------------------|--|------------------------|---------------------------------|---|--|---------------------------------------|--|---------------------------------|--|-----------------------------|
| FUNCTIONAL SYMBOLS FA = 0 FC = 0 FD = 0 DIVISIONAL SYMBOLS | THIS DRAWING CONTAINS INFORMATION THAT IS PROPRIETARY TO MOLEX ELECTRONIC TECHNOLOGIES, LLC AND SHOULD NOT BE USED WITHOUT WRITTEN PERMISSION | | DIMENSION UNITS: mm | | SCALE: 2:1 | CURRENT REV DESC: SEE REV TABLE | | | | | | | |
| | GENERAL TOLERANCES (UNLESS SPECIFIED) | | ANGULAR TOL ± 2.0° | | EC NO: 698869 | | ZQSFP+ 1X2 GANGED CAGE ASSY'S W/ SS TAB TYPE SPRING FINGER, H/S & L/P OPTIONS | | | | | | |
| | 4 PLACES ± | | 3 PLACES ± | | 2 PLACES ± 0.13 | | 1 PLACE ± 0.25 | | 0 PLACES ± | | PRODUCT CUSTOMER DRAWING | | |
| | DRAFT WHERE APPLICABLE MUST REMAIN WITHIN DIMENSIONS | | THIRD ANGLE PROJECTION | | DRAWING: D-SIZE | | SERIES: 100015 | | MATERIAL NUMBER: SEE P/N TABLE | | CUSTOMER: GENERAL MARKET | | SHEET NUMBER: 3 OF 7 |

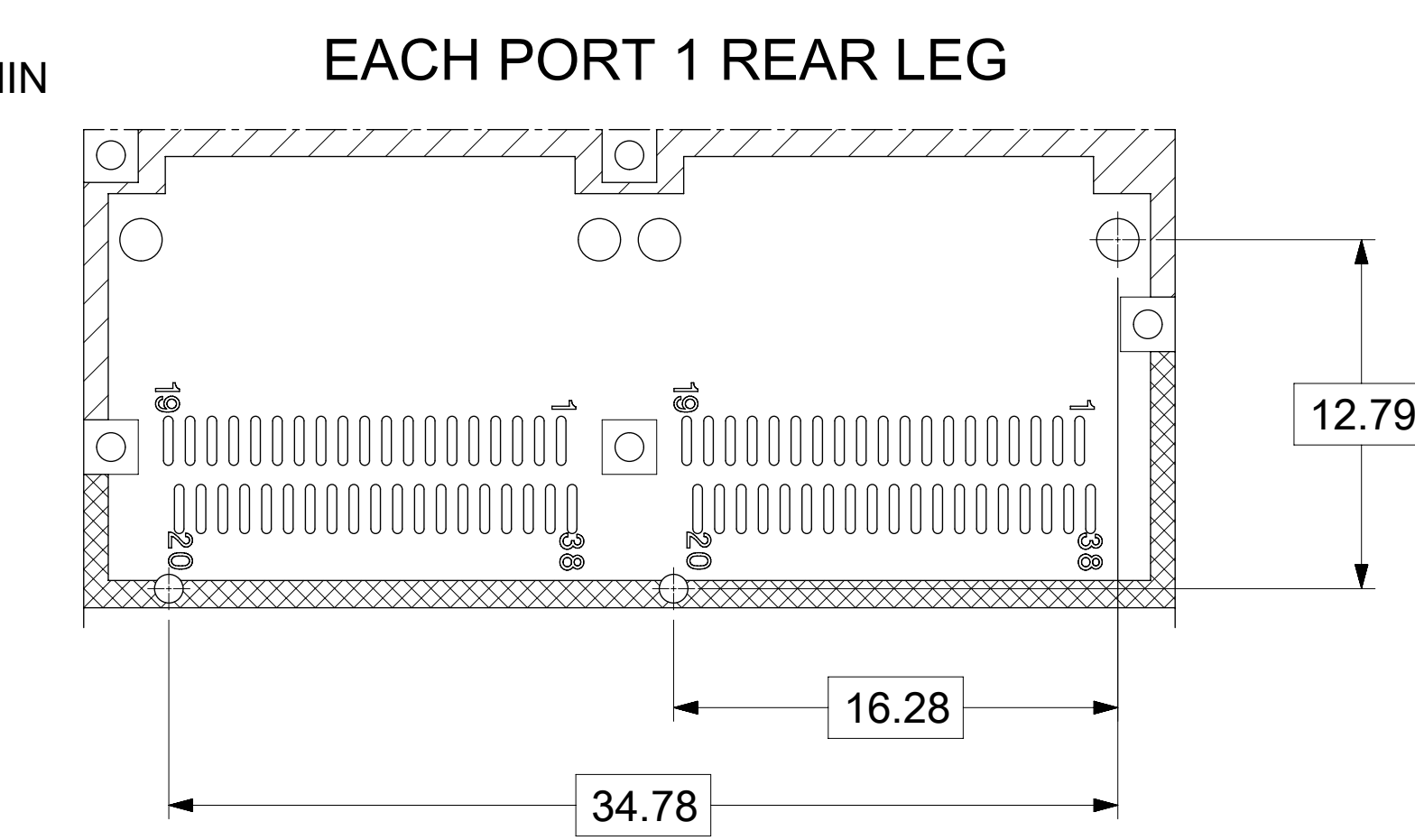
PCB LAYOUT FOR SINGLE SIDED MOUNTING

CROSS HATCHED AREA DENOTES EMI GROUNDING PAD (MUST BE CONNECTED TO CHASSIS GROUND)

HATCHED AREA DENOTES COMPONENT AND TRACE KEEP-OUT (EXCEPT CHASSIS GROUND)



PARTIAL 1
SCALE 5:1



PARTIAL 1
SCALE 5:1

Ø 1.05 ±0.05 TYP
⊕ Ø0.10(M) A K L

AREA DENOTES COMPONENT KEEP-OUT (TRACES ALLOWED)

HOLES FOR OPTIONAL REAR LEGS

-A- DATUM -A- IS THE TOP SURFACE OF HOST BOARD

CROSS HATCHED AREA DENOTES WHERE SURFACE TRACES ARE PERMITTED

- NOTES:
- PADS AND VIAS GO TO CHASSIS GROUND. (RECOMMENDED PADS TO BE 2.00mm SQUARE.)
 - RECOMMENDED THRU HOLE PLATING INCLUDES HASL, OSP, OR IMMERSION (GOLD, SILVER, OR TIN).
 - CONNECTOR PAD LAYOUT PER SFF-8663 WILL ACCOMODATE MOLEX CONNECTOR SERIES 170432.
 - NOTED DIMENSIONS ONLY APPLY TO CAGE ASSEMBLIES WITH LIGHT PIPES.
 - THIS DIM IS FOR REF ONLY USER CAN MODIFY IT DEPENDS ON APPLICATION

DETAIL F
SCALE 5:1

| | | | | |
|--------------------|---|--------------------|---------------------------------|-----------------|
| FUNCTIONAL SYMBOLS | THIS DRAWING CONTAINS INFORMATION THAT IS PROPRIETARY TO MOLEX ELECTRONIC TECHNOLOGIES, LLC AND SHOULD NOT BE USED WITHOUT WRITTEN PERMISSION | | CURRENT REV DESC: SEE REV TABLE | |
| | FA = 0 | mm | SCALE | 4:1 |
| DIVISIONAL SYMBOLS | GENERAL TOLERANCES (UNLESS SPECIFIED) | | EC NO: 698869 | |
| | FC = 0 | ANGULAR TOL ± 2.0° | DRWN: VISHNM2 | 2022/02/17 |
| FUNCTIONAL SYMBOLS | 4 PLACES | ± | CHK'D: TKUMARKC | 2022/03/16 |
| | 3 PLACES | ± | APPR: JCHIANG | 2022/03/21 |
| | 2 PLACES | ± 0.13 | INITIAL REVISION: | |
| | 1 PLACE | ± 0.25 | DRWN: VISHNM2 | 2022/02/17 |
| FUNCTIONAL SYMBOLS | 0 PLACES | ± | APPR: JCHIANG | 2022/03/21 |
| | DRAFT WHERE APPLICABLE MUST REMAIN WITHIN DIMENSIONS | | THIRD ANGLE PROJECTION | DRAWING |
| | | D-SIZE | | SERIES |
| | | 100015 | | MATERIAL NUMBER |
| | | SEE P/N TABLE | | CUSTOMER |
| | | GENERAL MARKET | | SHEET NUMBER |
| | | 4 OF 7 | | |

| | | | | |
|-----------------|----|--------------|------------|----------|
| DOCUMENT STATUS | P1 | RELEASE DATE | 2022/03/21 | 05:07:54 |
|-----------------|----|--------------|------------|----------|

molex

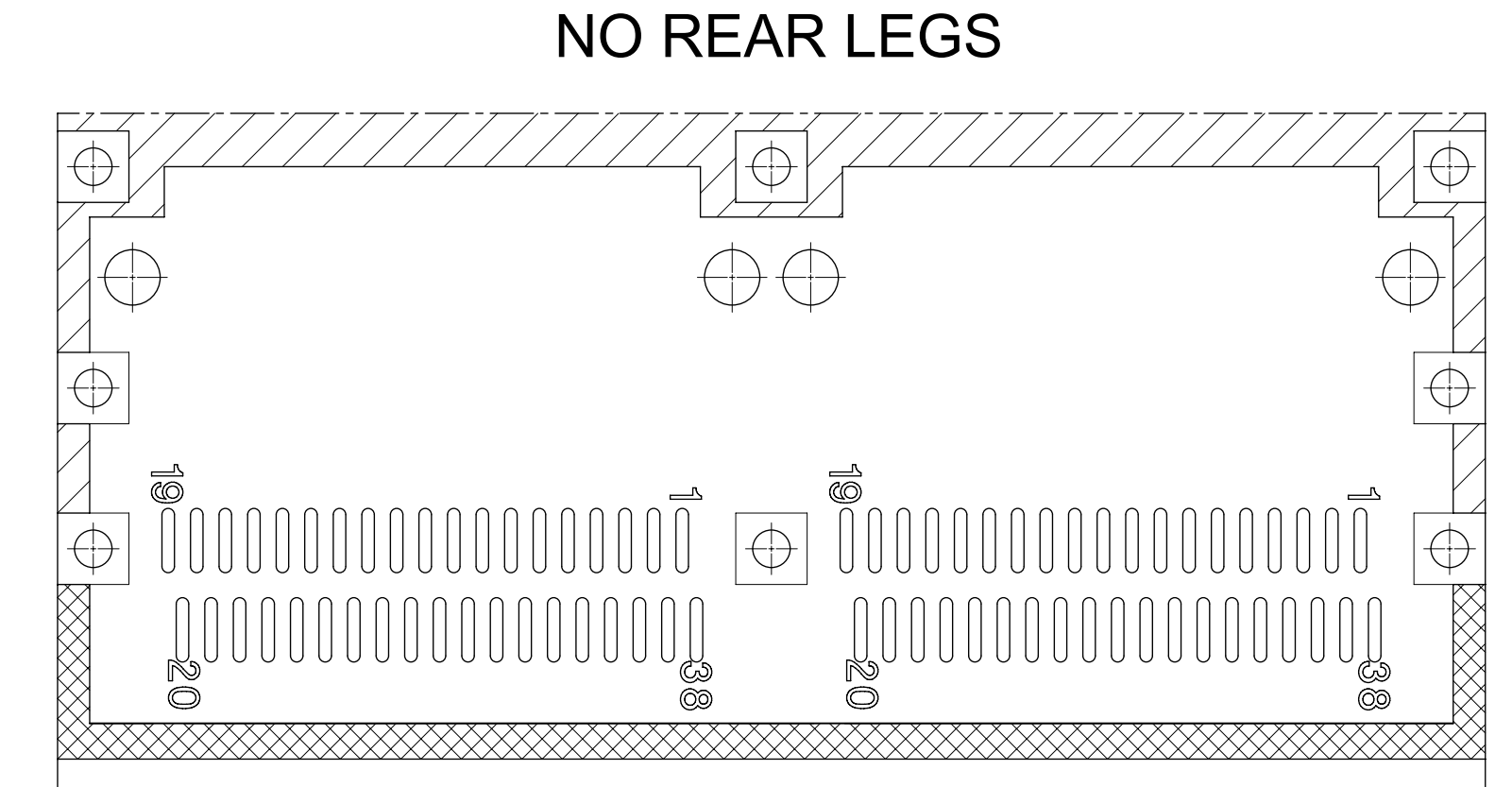
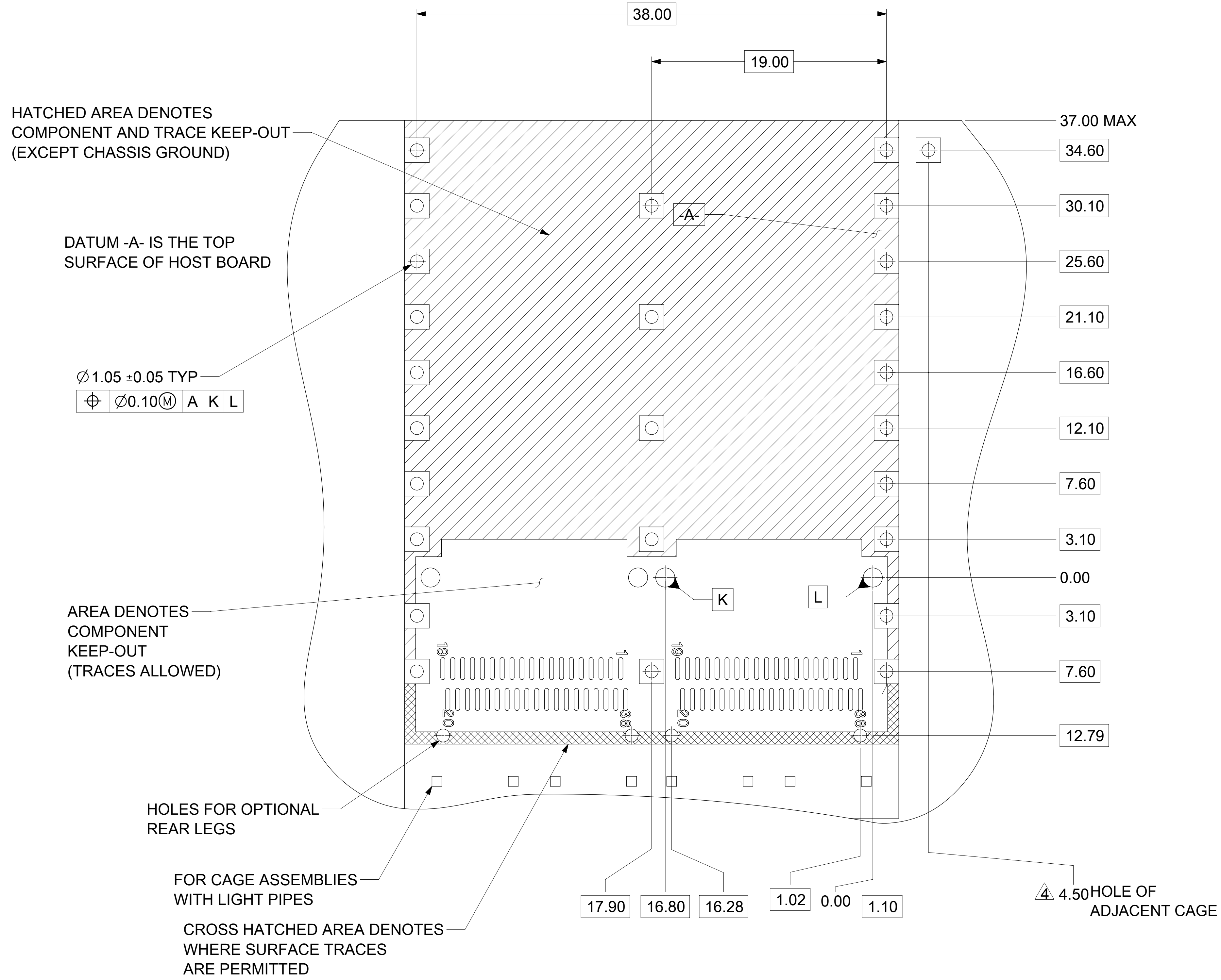
ZQSFP+ 1X2 GANGED CAGE ASSY'S W/ SS TAB TYPE SPRING FINGER, H/S & L/P OPTIONS

PRODUCT CUSTOMER DRAWING

DOCUMENT NUMBER: 1000153200
DOC TYPE: PSD
DOC PART: ASY
REVISION: A

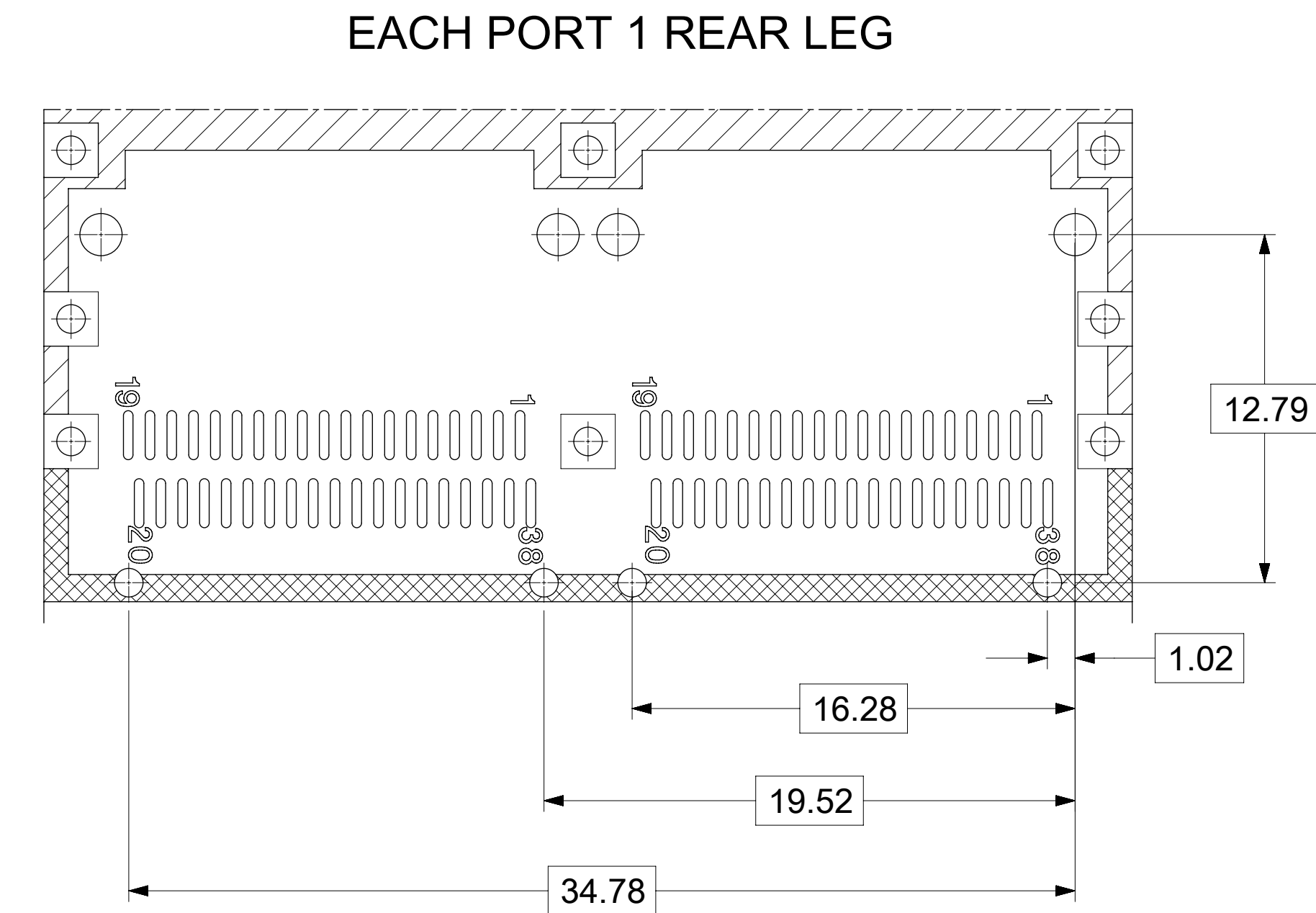
MATERIAL NUMBER: SEE P/N TABLE
CUSTOMER: GENERAL MARKET
SHEET NUMBER: 4 OF 7

PCB LAYOUT FOR BELLY TO BELLY MOUNTING



PARTIAL 3
SCALE 5:1

NOTE:
SEE SHEET 5 FOR
HOST CONNECTOR DETAIL
AND LED LOCATION DETAILS

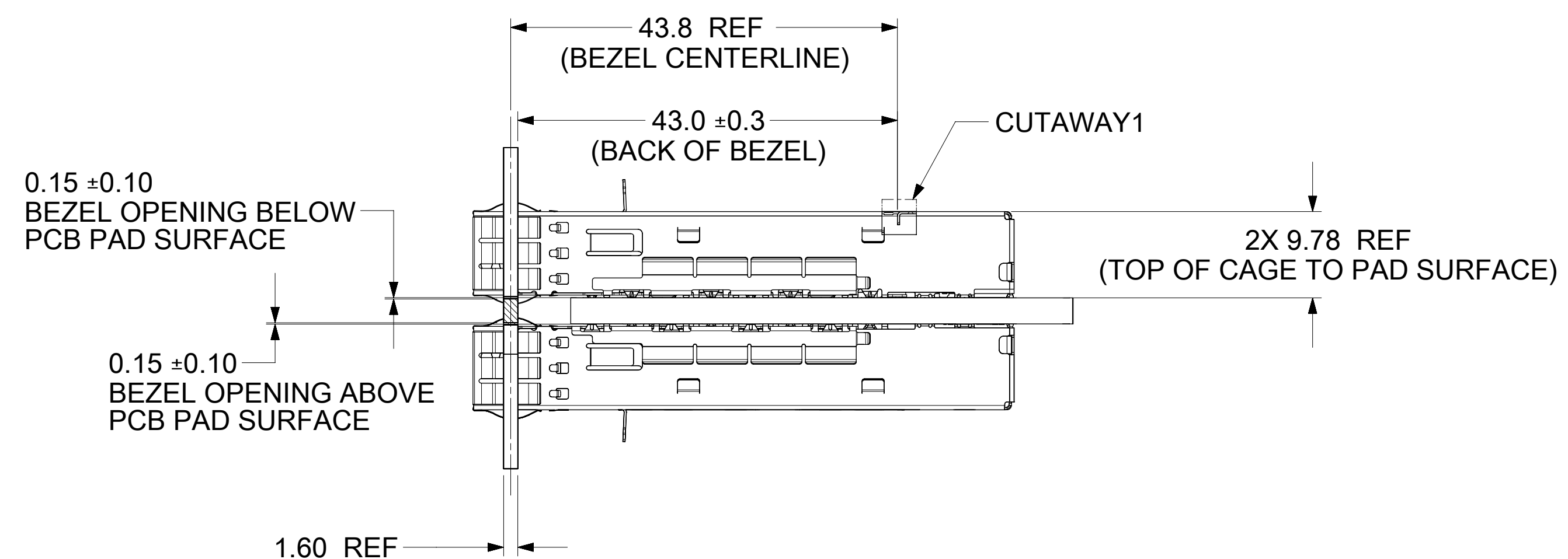


PARTIAL 4
SCALE 5:1

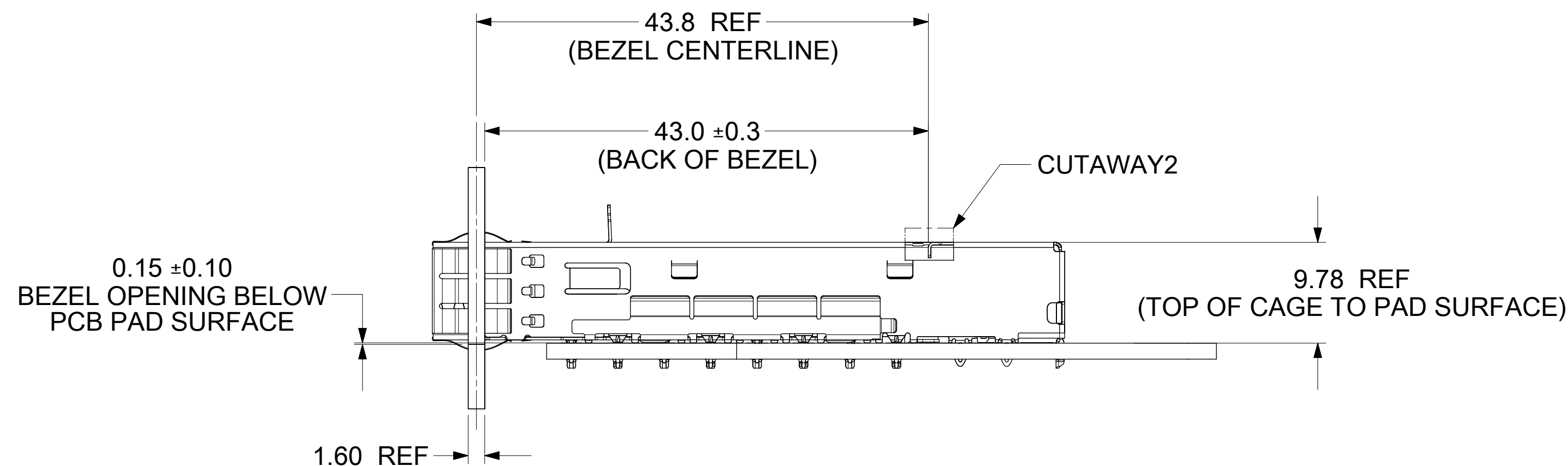
- NOTES:
1. PADS AND VIAS GO TO CHASSIS GROUND. (RECOMMENDED PADS TO BE 2.00mm SQUARE.)
 2. RECOMMENDED THRU HOLE PLATING INCLUDES HASL, OSP, OR IMMERSION (GOLD, SILVER, OR TIN).
 3. CONNECTOR PAD LAYOUT PER SFF-8663 WILL ACCOMODATE MOLEX CONNECTOR SERIES 170432.
 4. THIS DIM IS FOR REF ONLY USER CAN MODIFY IT DEPENDS ON APPLICATION.

| | | | |
|--------------------|---|----------------------|---|
| FUNCTIONAL SYMBOLS | THIS DRAWING CONTAINS INFORMATION THAT IS PROPRIETARY TO MOLEX ELECTRONIC TECHNOLOGIES, LLC AND SHOULD NOT BE USED WITHOUT WRITTEN PERMISSION | | |
| | DIMENSION UNITS | SCALE | CURRENT REV DESC: SEE REV TABLE |
| $\frac{FA}{A} = 0$ | mm | 5:1 | EC NO: 698869 DRWN: VISHNM2 2022/02/17 CHK'D: TKUMARKC 2022/03/16 APPR: JCHIANG 2022/03/21 |
| $\frac{FC}{C} = 0$ | GENERAL TOLERANCES (UNLESS SPECIFIED) | | |
| $\frac{FD}{D} = 0$ | ANGULAR TOL ± 2.0° | | INITIAL REVISION: DRWN: VISHNM2 2022/02/17 APPR: JCHIANG 2022/03/21 |
| DIVISIONAL SYMBOLS | 4 PLACES | ± | |
| | 3 PLACES | ± | DOCUMENT NUMBER 1000153200 |
| | 2 PLACES | ± 0.13 | |
| | 1 PLACE | ± 0.25 | DOC TYPE PSD |
| | 0 PLACES | ± | DOC PART ASY |
| | DRAFT WHERE APPLICABLE MUST REMAIN WITHIN DIMENSIONS | | REVISION A |
| | THIRD ANGLE PROJECTION | DRAWING | MATERIAL NUMBER |
| | | D-SIZE | 100015 |
| | | SERIES | CUSTOMER |
| | | SEE P/N TABLE | GENERAL MARKET |
| | | | SHEET NUMBER |
| | | | 5 OF 7 |

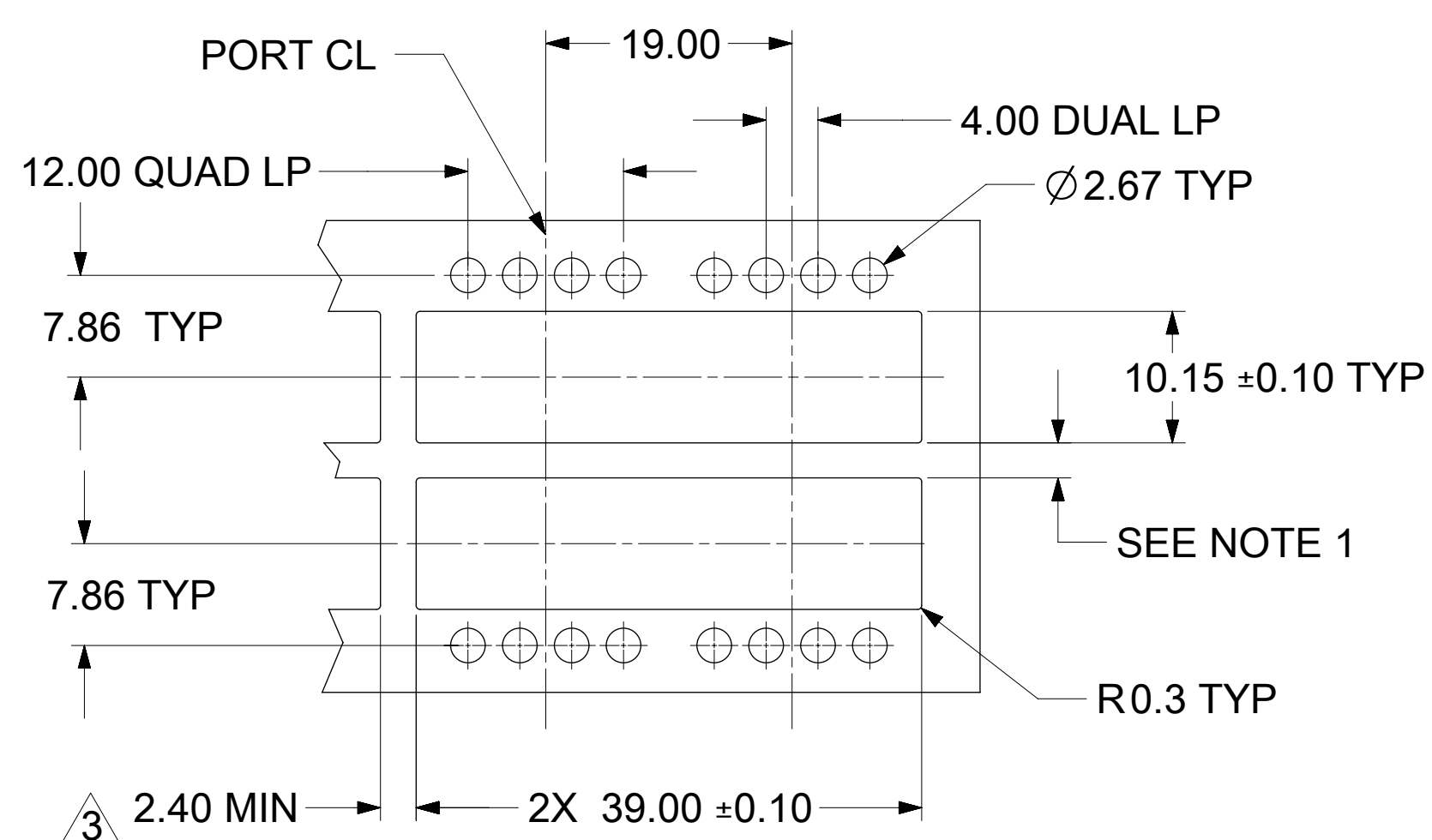
BEZEL AND BOARD POSITION DIMENSIONS FOR BELLY TO BELLY MOUNTING



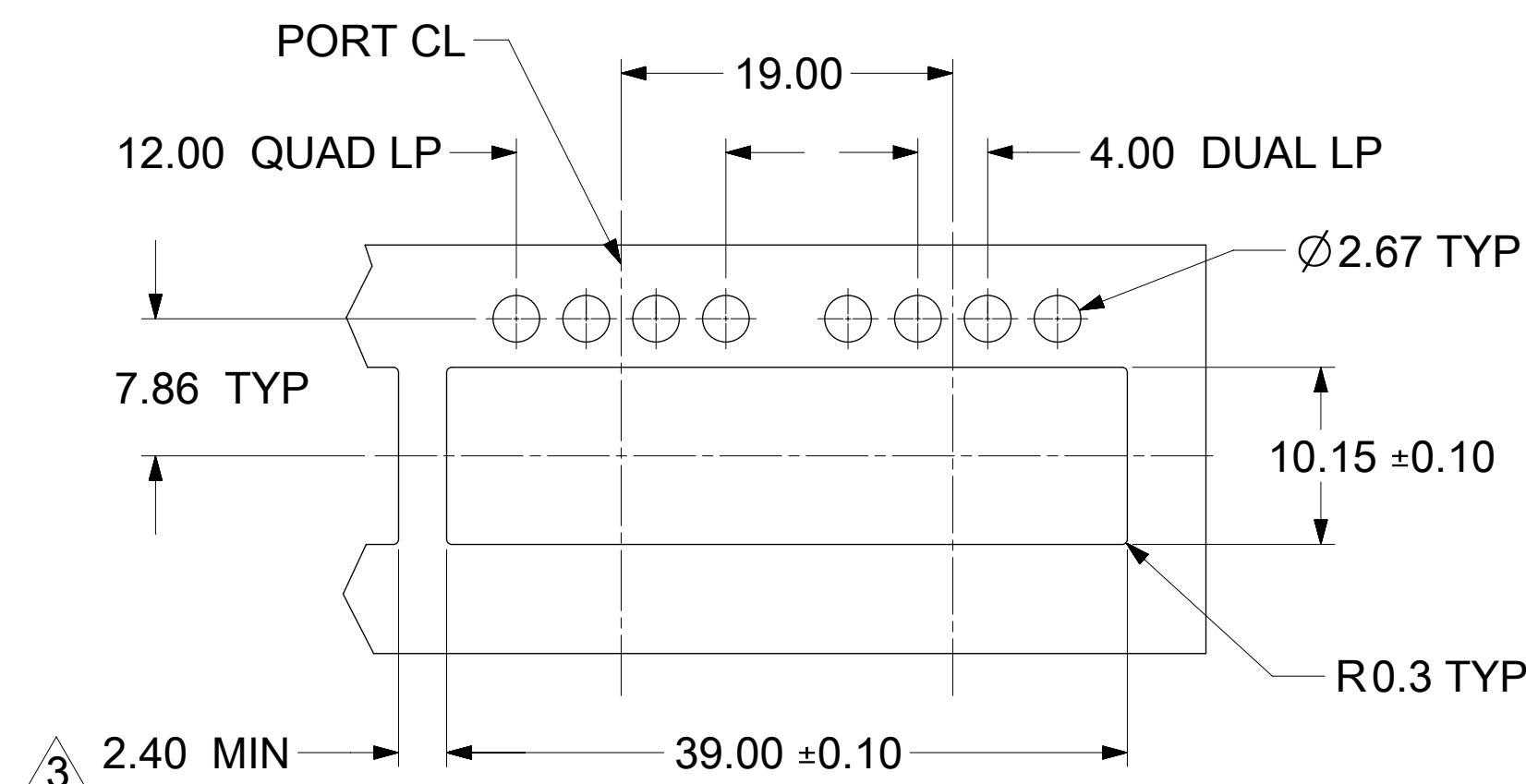
BEZEL AND BOARD POSITION DIMENSIONS FOR SINGLE SIDE MOUNTING



DUAL/QUAD LIGHT PIPE ²



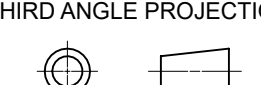
DUAL/QUAD LIGHT PIPE ²



- NOTE:
- 1. PCB THICKNESS VARIATION MUST BE CONSIDERED WHEN DETERMINING BEZEL OPENING LOCATION.
 - ² NOTED DIMENSIONS ONLY APPLY TO CAGE ASSEMBLIES WITH LIGHT PIPES.
 - ³ THIS DIM IS FOR REF ONLY USER CAN MODIFY IT DEPENDS ON APPLICATION.

| | | | | | | | | |
|--|---|-------|---------------------------------------|---------|----------------------------|-----------------|----------------|--------------|
| FUNCTIONAL SYMBOLS | THIS DRAWING CONTAINS INFORMATION THAT IS PROPRIETARY TO MOLEX ELECTRONIC TECHNOLOGIES, LLC AND SHOULD NOT BE USED WITHOUT WRITTEN PERMISSION | | CURRENT REV DESC: SEE REV TABLE | | | | | |
| | DIMENSION UNITS | SCALE | | | | | | |
| $\nabla_A = 0$ | mm | 2:1 | GENERAL TOLERANCES (UNLESS SPECIFIED) | | EC NO: 698869 | | | |
| $\nabla_C = 0$ | ANGULAR TOL ± 2.0° | | 4 PLACES ± | | DRWN: VISHNM2 2022/02/17 | | | |
| $\nabla_P = 0$ | 3 PLACES ± | | 2 PLACES ± 0.13 | | CHK'D: TKUMARKC 2022/03/16 | | | |
| DIVISIONAL SYMBOLS | 1 PLACE ± 0.25 | | 0 PLACES ± | | APPR: JCHIANG 2022/03/21 | | | |
| DRAFT WHERE APPLICABLE MUST REMAIN WITHIN DIMENSIONS | | | THIRD ANGLE PROJECTION | DRAWING | SERIES | MATERIAL NUMBER | CUSTOMER | SHEET NUMBER |
| | | | | D-SIZE | 100015 | SEE P/N TABLE | GENERAL MARKET | 6 OF 7 |

| REV | DATE | DESCRIPTION |
|-----|------------|------------------|
| A | 2022/02/17 | INITIAL RELEASE. |
| | | |
| | | |
| | | |
| | | |
| | | |
| | | |

| | | | |
|--|---|---|---|
| FUNCTIONAL SYMBOLS | THIS DRAWING CONTAINS INFORMATION THAT IS PROPRIETARY TO MOLEX ELECTRONIC TECHNOLOGIES, LLC AND SHOULD NOT BE USED WITHOUT WRITTEN PERMISSION | | |
| | DIMENSION UNITS | SCALE | CURRENT REV DESC: SEE REV TABLE |
| $\nabla_A = 0$ | mm | 1:1 | EC NO: 698869 DRWN: VISHNM2 2022/02/17 CHK'D: TKUMARKC 2022/03/16 APPR: JCHIANG 2022/03/21 |
| $\nabla_C = 0$ | GENERAL TOLERANCES (UNLESS SPECIFIED) | | |
| $\nabla_P = 0$ | ANGULAR TOL \pm 2.0° | | INITIAL REVISION: DRWN: VISHNM2 2022/02/17 APPR: JCHIANG 2022/03/21 |
| DIVISIONAL SYMBOLS | 4 PLACES | \pm | |
| | 3 PLACES | \pm | |
| | 2 PLACES | \pm 0.13 | |
| 1 PLACE | \pm 0.25 | THIRD ANGLE PROJECTION  | |
| 0 PLACES | \pm | | |
| DRAFT WHERE APPLICABLE MUST REMAIN WITHIN DIMENSIONS | | DRAWING | SERIES |
| | | D-SIZE | 100015 |

| | | |
|--------------------------|----------|----------|
| PRODUCT CUSTOMER DRAWING | | |
| DOCUMENT NUMBER | DOC TYPE | DOC PART |
| 1000153200 | PSD | ASY |
| REVISION | A | |

| | | |
|-----------------|----------------|--------------|
| MATERIAL NUMBER | CUSTOMER | SHEET NUMBER |
| SEE P/N TABLE | GENERAL MARKET | 7 OF 7 |