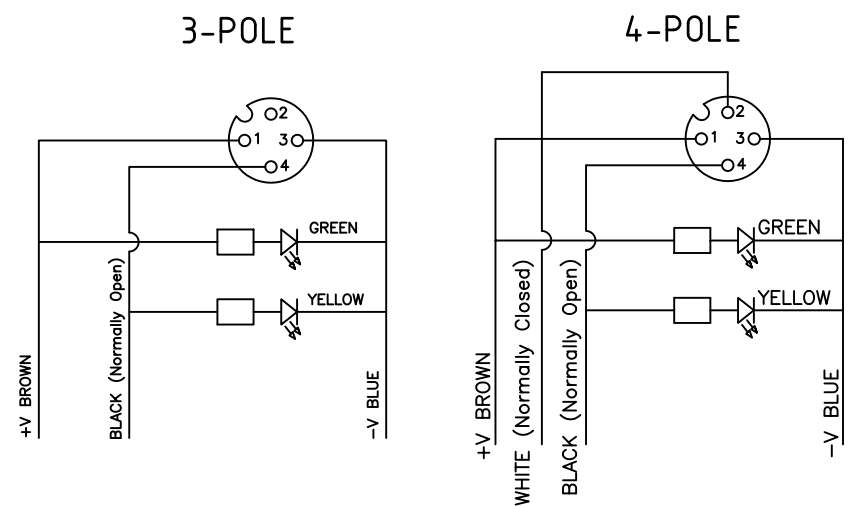


POL	MATERIAL NUMBER	ENGINEERING NUMBER	FINISHED LENGTH
3	1200670192	8030P0B03M020	6.56' +3.5" -0 [2.0M +89 -0]

POL	MATERIAL NUMBER	ENGINEERING NUMBER	FINISHED LENGTH
4	1200675229	8040P0B03M020	6.56' +3.5" -0 [2.0M +89 -0]

CONNECTOR SPECIFICATION:

VOLTAGE RATING	10 TO 30VDC
AMPERAGE RATING	max. 4 AMPS
PROTECTION	IP67
OPERATING TEMPERATURE	FLEXING: -5°C TO +90°C STATIC: -30°C TO +90°C



FEMALE FACE VIEW	FEMALE FACE VIEW
3-POLE	4-POLE
WIRING DIAGRAM	WIRING DIAGRAM
1 BROWN 2 NOT USED 3 BLUE 4 BLACK	1 BROWN 2 WHITE 3 BLUE 4 BLACK

ITEM	COMPONENT	MATERIAL	FINISH
9	LED		GREEN
8	LED		YELLOW
7	LABLE	MYLAR	BLACK/YELLOW
6	O-RING	VITON	RED
5	COUPLER	BRASS	NICKEL PLATED
4	PIN CONTACT	COPPER ALLOY	GOLD OVER NICKEL
3	INSERT	PUR	BLACK
2	OVERMOLD	POLYURETHANE (PUR)	TRANSP.
1	CABLE- 22/3-4 (COPPER STRANDING) 3/4 CONDUCT. 300V	JACKET: PUR	BLACK

DESCRIPTION EC NO: WEU2010-0381 DRWN: LSTEMMLE CHKD: NS APPR: NSTAUDIG	QUALITY SYMBOLS = 0 = 0	GENERAL TOLERANCES (UNLESS SPECIFIED)		DIMENSION STYLE IN/MM	SCALE 2:1	DESIGN UNITS METRIC	THIRD ANGLE PROJECTION
		mm	INCH	DRAWN BY BBRAUCH	DATE 2010/02/03	MIC 3-4P FE STR PNP PUR 22/3-4 BLACK PUR CABLE	
2	REV	4 PLACES ±---	±---	CHECKED BY FP	DATE 2010/02/23	MOLEX INCORPORATED	
		3 PLACES ±---	±---	APPROVED BY NSTAUDIG	DATE 2010/02/25	DOCUMENT NO. SD-120067-011	SHEET NO. 1 OF 1
DRAFT WHERE APPLICABLE MUST REMAIN WITHIN DIMENSIONS		ANGULAR ± --- °		SEE TABLE		THIS DRAWING CONTAINS INFORMATION THAT IS PROPRIETARY TO MOLEX INCORPORATED AND SHOULD NOT BE USED WITHOUT WRITTEN PERMISSION	