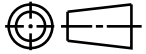
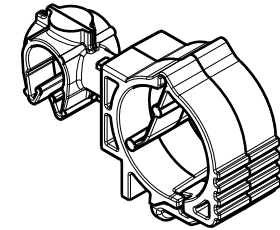
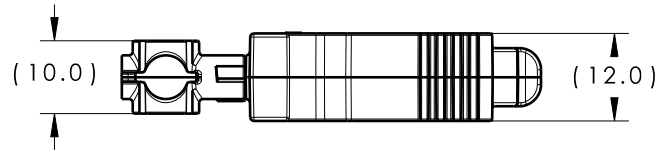


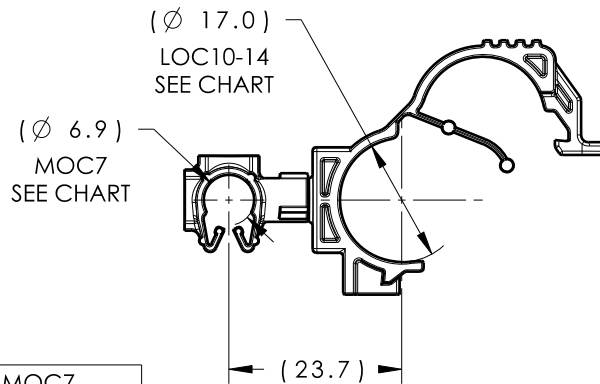
CATIA V5



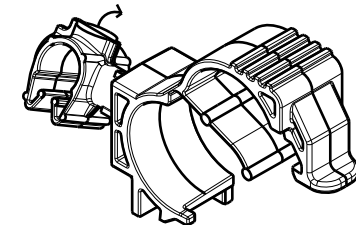
Revision Level			Revision Record	Changed	Date	Approved	Date
Drawing	State	Part					
00.0	Design Release	-	SEE ECN# 014970	JMC	03/22/19	EJH	03/22/19



ISOMETRIC VIEW
CLOSED



CLIPS ROTATE
360 DEGREES



ISOMETRIC VIEW
OPEN

TYPE	MOC7
HARNESS	6.5MM-7.5MM
HOSE	6.0MM-7.5MM
HARD PIPE/TUBE	7.0MM-8.0MM

*RECOMMENDED SIZES MAY DIFFER DEPENDING ON THE APPLICATION, PRODUCT, REQUIRMENTS AND MATERIALS USED

**PATENT PENDING 29/582,271

GLOBAL PART DESCRIPTION	MOC7**			LOC10-14		
	DRAWING	MATERIAL	COLOR	DRAWING	MATERIAL	COLOR
MOC7FLOC10-14-PA66HIRHSUV-BK	16-0315-001-CSU	PA66HIRHSUV	BLACK	11-0594-031-CSU	PA66HIRHSUV	BLACK

Material SEE CHART COLOR: SEE CHART	Units millimeters	The copyright of this drawing is reserved by HellermannTyton. It is issued on condition that it is not reproduced, copied or disclosed to a third party, either wholly or in part, without the consent of HellermannTyton.	Drawn	JMC	03/22/19	Article/Type-No MOC7FLOC10-14	Scale	1:1		
	Tolerance defined on each dimension		Approved	EJH	03/22/19		Title	Project Number		
			HellermannTyton				7MM MOC COUPLED TO 10-14MM LOC		Format	AH
									North America Email: corp@htamericas.com Web: www.hellermann.tyton.com	
16-0327-072-CSU						Drawing-No PRODUCTION : Phase				