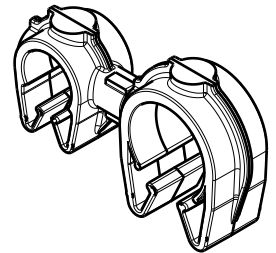
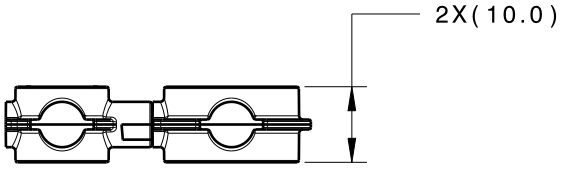
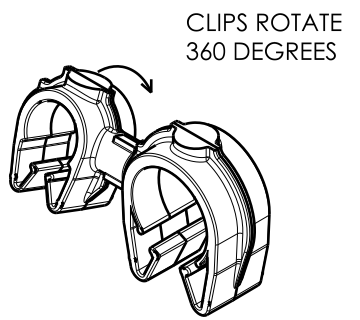
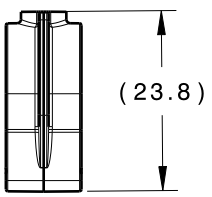
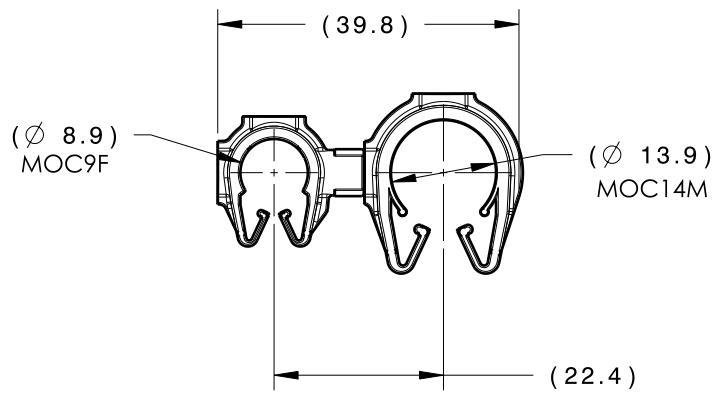


Revision Level			Revision Record	Changed	Date	Approved	Date
Drawing	State	Part					
01.2	DESIGN RELEASE		SEE ECN# 014408	FDS	04/23/18	EJH	04/23/18



ISOMETRIC VIEW




CLIPS ROTATE 360 DEGREES

ISOMETRIC VIEW ROTATED

TYPE	MOC9F	MOC14M
HARNESS	8.5MM-10.0MM	13.0MM-15.0MM
HOSE	8.0MM-10.0MM	13.0MM-15.0MM
HARD PIPE/TUBE	9.0MM-10.0MM	14.0MM-15.8MM

\*RECOMMENDED SIZES MAY DIFFER DEPENDING ON THE APPLICATION, PRODUCT REQUIREMENTS AND MATERIALS USED

GLOBAL PART DESCRIPTION 	MOC9F			MOC14M		
	DRAWING	MATERIAL	COLOR	DRAWING	MATERIAL	COLOR
MOC9FMOC14M-PA66HIRHS-BK	16-0317-000-CSU	PA66HIRHS	BLACK	16-0320-000-CSU	PA66HIRHS	BLACK

Material <b>SEE CHART</b> COLOR: SEE CHART	Units <b>millimeters</b>	The copyright of this drawing is reserved by HellermannTyton. It is issued on condition that it is not reproduced, copied or disclosed to a third party, either wholly or in part, without the consent of HellermannTyton.	Drawn <b>TAT</b> <b>2/21/17</b>	Article/Type-No <b>MOC9FMOC14M</b>	Scale <b>1:1</b>
	Tolerance defined on each dimension		Approved <b>EJH</b> <b>2/28/17</b>	Title  <b>9MM MOC COUPLED TO A 14MM MOC</b>	Project Number <b>16-0326</b>
			 North America Email: corp@htamericas.com Web: www.hellermann.tyton.com		Drawing-No <b>16-0326-248-CSU</b>