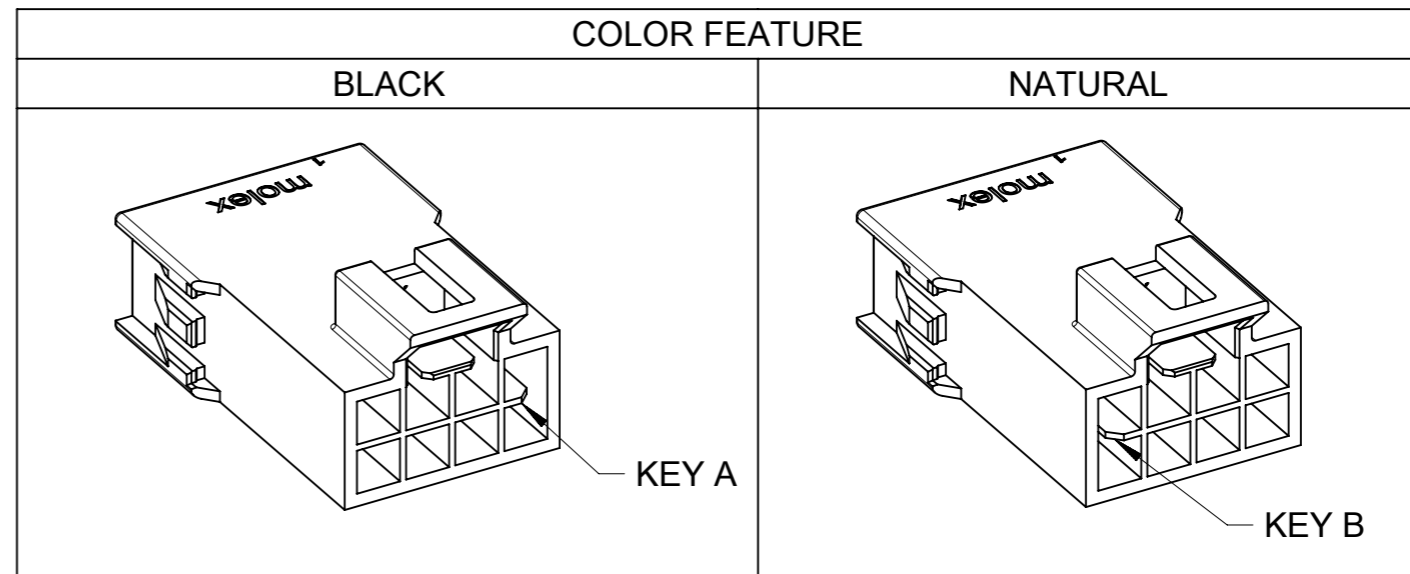
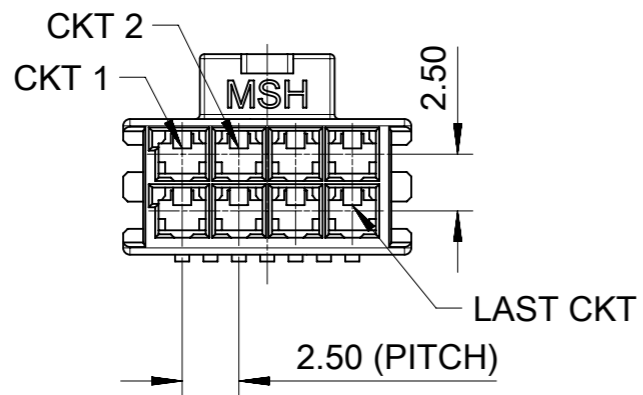
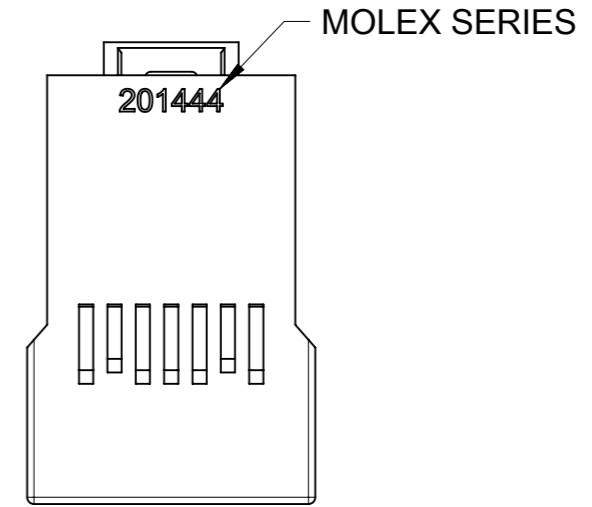
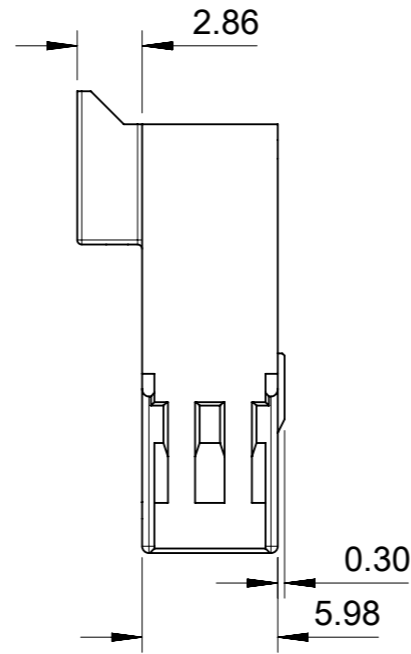
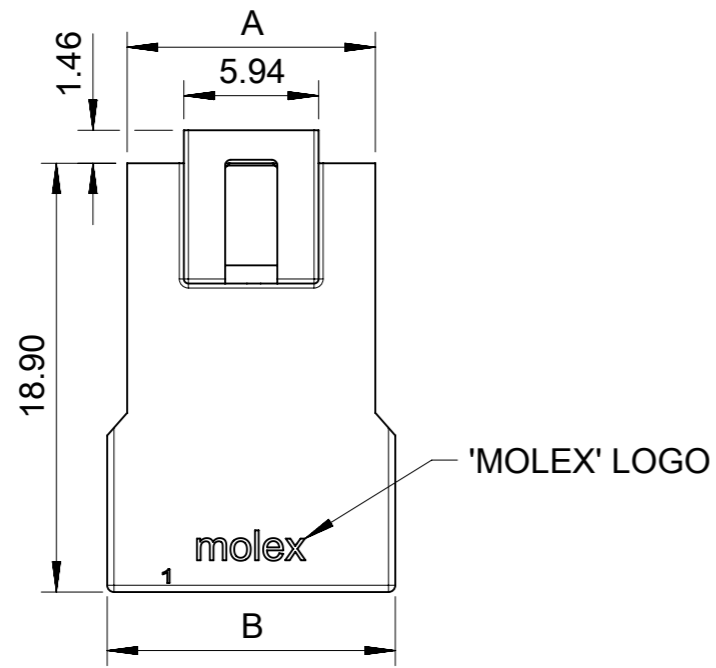


FREE HANGING PLUG PARTS

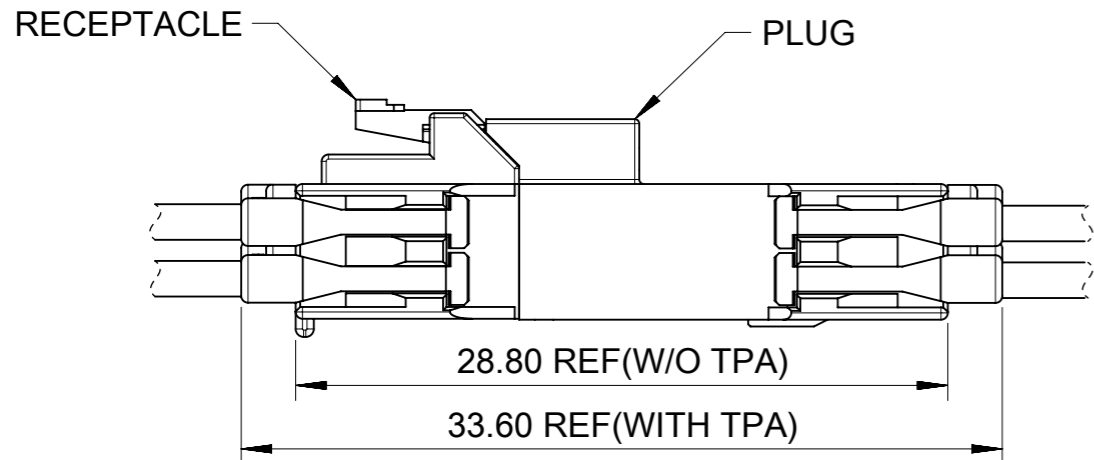


NOTES:

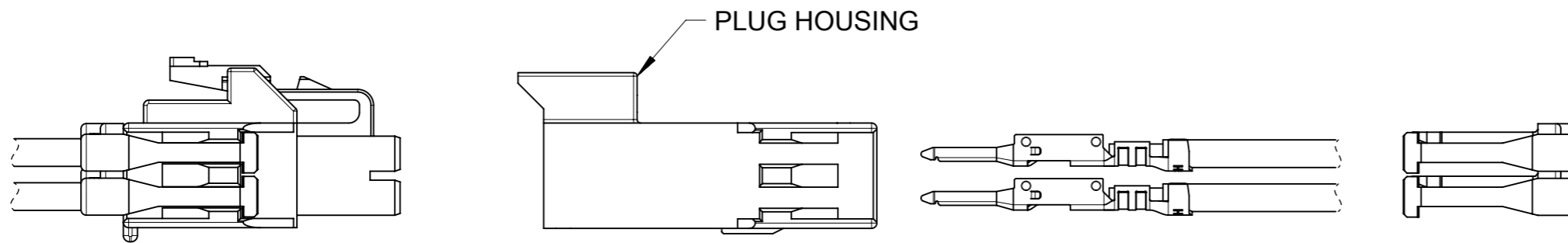
- MATERIAL:
 OPTION 1: PA66, 94V-0, BLACK
 OPTION 2: PA66, 94V-0, NATURAL.
- PRODUCT SPECIFICATION: 2014471000-PS.
- PACKAGE SPECIFICATION: 2014441000-PK.
- THE COMPONENT COMPLIANT TO RoHS DIRECTIVE 2011/65/EU AND ELV DIRECTIVE 2000/53/EC.
- TO MATE WITH TERMINAL OF 201447-****.
 TO MATE WITH TPA OF 105325-****.
 TO MATE WITH RECEPTACLE OF 105308-****.
- PARTS CONFORM TO CLASS 'B' REQUIREMENTS OF COSMETIC SPECIFICATION PS-45499-002.
- APPLICATION SPECIFICATION: 201447-AS.

SYMBOLS		THIS DRAWING CONTAINS INFORMATION THAT IS PROPRIETARY TO MOLEX ELECTRONIC TECHNOLOGIES, LLC AND SHOULD NOT BE USED WITHOUT WRITTEN PERMISSION	
▽ = 0	mm	SCALE	3:1
▽ = 0	GENERAL TOLERANCES (UNLESS SPECIFIED)		
▽ = 0	ANGULAR TOL	±	°
▽ = 0	4 PLACES	±	
▽ = 0	3 PLACES	±	
▽ = 0	2 PLACES	±	0.15
▽ = 0	1 PLACE	±	
▽ = 0	0 PLACES	±	
■ = 0	DRAFT WHERE APPLICABLE MUST REMAIN WITHIN DIMENSIONS		
▽ = 0	THIRD ANGLE PROJECTION	DRAWING	A3-SIZE
CURRENT REV DESC:		SERIES	201444
EC NO: 625349		MATERIAL NUMBER	SEE SHEET 2
DRWN: GLLI 2019/10/09		CUSTOMER	GENERAL MARKET
CHK'D: YXZHENG 2019/10/10		DOCUMENT NUMBER	2014441000-SD
APPR: YXZHENG 2019/10/10		DOC TYPE	PSD
INITIAL REVISION:		DOC PART	000
DRWN: GLLI 2018/07/19		REVISION	B
APPR: AYIN 2019/04/17		SHEET NUMBER	
		1 OF 6	

FREE HANGING PLUG PARTS



PART No	DIM'A'	DIM'B'	CKT SIZE	COLOR
201444-1104	5.94	7.70	4	BLACK (KEY A)
201444-1106	8.44	10.20	6	
201444-1108	10.94	12.70	8	
201444-1110	13.44	15.20	10	
201444-1112	15.94	17.70	12	
201444-1114	18.44	20.20	14	
201444-1116	20.94	22.70	16	NATURAL (KEY B)
201444-2104	5.94	7.70	4	
201444-2106	8.44	10.20	6	
201444-2108	10.94	12.70	8	
201444-2110	13.44	15.20	10	
201444-2112	15.94	17.70	12	
201444-2114	18.44	20.20	14	
201444-2116	20.94	22.70	16	



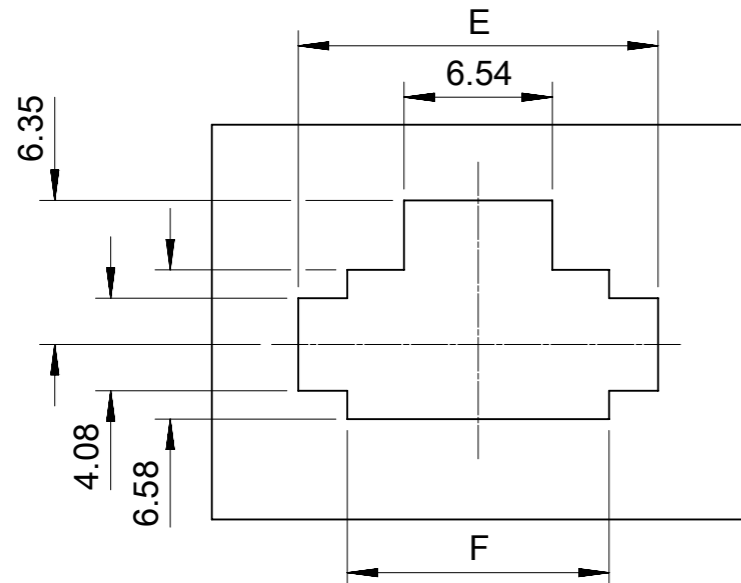
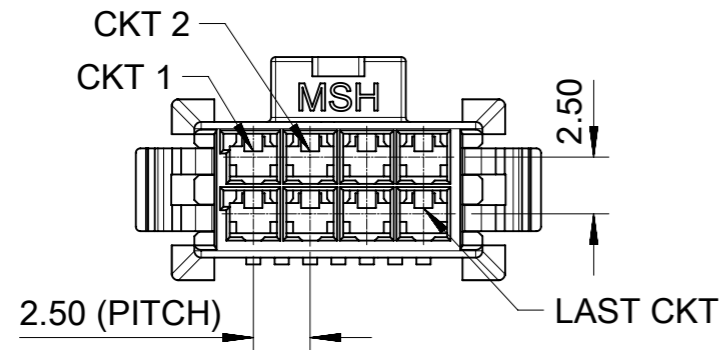
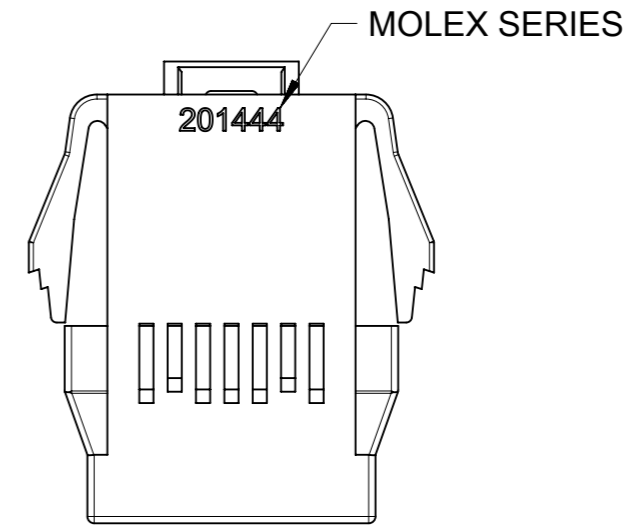
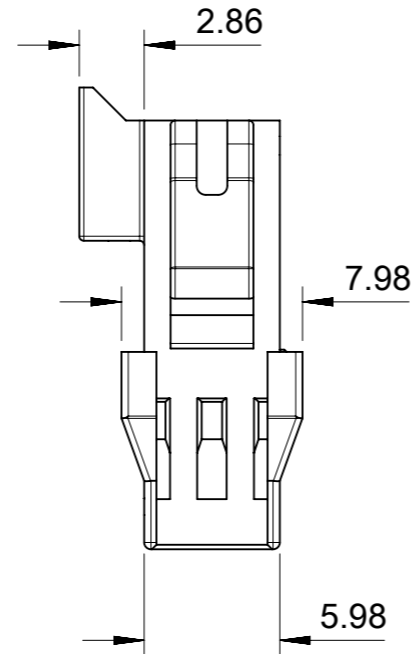
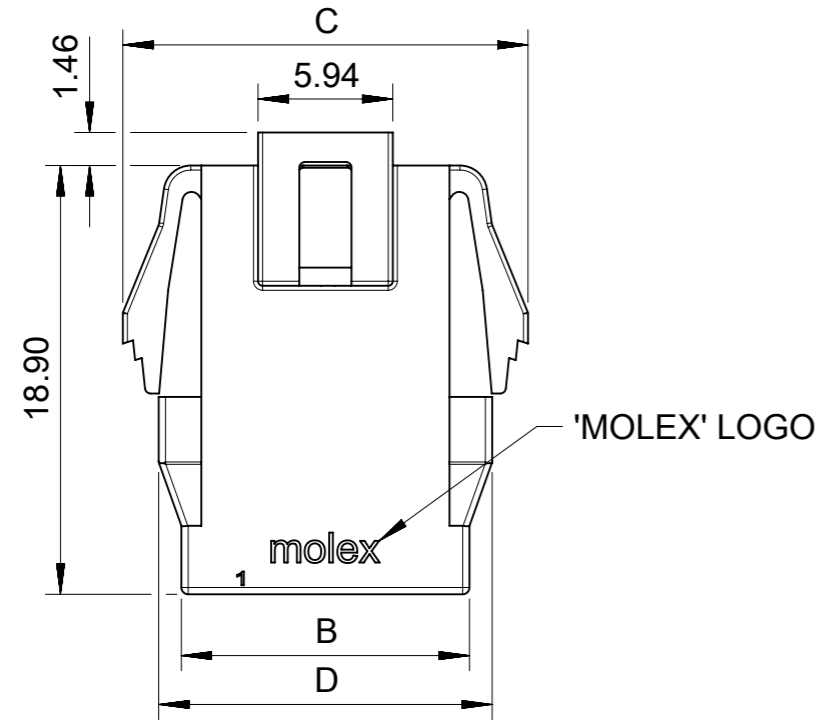
SYMBOLS ▽ = 0 ▽ = 0 ▽ = 0 ▽ = 0 ▽ = 0 ▽ = 0 ▽ = 0 ▽ = 0 ▽ = 0 ▽ = 0 ▽ = 0 ▽ = 0	THIS DRAWING CONTAINS INFORMATION THAT IS PROPRIETARY TO MOLEX ELECTRONIC TECHNOLOGIES, LLC AND SHOULD NOT BE USED WITHOUT WRITTEN PERMISSION DIMENSION UNITS: mm SCALE: 3:1	CURRENT REV DESC: EC NO: 625349 DRWN: GLLI 2019/10/09 CHK'D: YXZHENG 2019/10/10 APPR: YXZHENG 2019/10/10			
	GENERAL TOLERANCES (UNLESS SPECIFIED) ANGULAR TOL ± ° 4 PLACES ± 3 PLACES ± 2 PLACES ± 0.15 1 PLACE ± 0 PLACES ±	INITIAL REVISION: DRWN: GLLI 2018/07/19 APPR: AYIN 2019/04/17			
DRAFT WHERE APPLICABLE MUST REMAIN WITHIN DIMENSIONS THIRD ANGLE PROJECTION DRAWING: A3-SIZE SERIES: 201444	MATERIAL NUMBER: SEE CHART CUSTOMER: GENERAL MARKET	DOCUMENT NUMBER: 2014441000-SD DOC TYPE: PSD DOC PART: 000 REVISION: B	SHEET NUMBER: 2 OF 6		

FREE HANGING PLUG PARTS

	4 CKT	6 CKT	8 CKT	10 CKT
BLACK				
NATURAL				
	12 CKT	14 CKT	16 CKT	
BLACK				
NATURAL				

SYMBOLS ▽ = 0 ▽ = 0 ▽ = 0 ▽ = 0 ▽ = 0 ▽ = 0 ▽ = 0 ▽ = 0 ▽ = 0 ▽ = 0 ▽ = 0 ▽ = 0	THIS DRAWING CONTAINS INFORMATION THAT IS PROPRIETARY TO MOLEX ELECTRONIC TECHNOLOGIES, LLC AND SHOULD NOT BE USED WITHOUT WRITTEN PERMISSION DIMENSION UNITS SCALE mm 2.5:1		CURRENT REV DESC: EC NO: 625349 DRWN: GLLI 2019/10/09 CHK'D: YXZHENG 2019/10/10 APPR: YXZHENG 2019/10/10				
	GENERAL TOLERANCES (UNLESS SPECIFIED) ANGULAR TOL ± °		INITIAL REVISION: DRWN: GLLI 2018/07/19 APPR: AYIN 2019/04/17				
4 PLACES ± 3 PLACES ± 2 PLACES ± 0.15 1 PLACE ± 0 PLACES ±		DRAFT WHERE APPLICABLE MUST REMAIN WITHIN DIMENSIONS THIRD ANGLE PROJECTION 		DRAWING SERIES A3-SIZE 201444		DOCUMENT NUMBER DOC TYPE DOC PART REVISION 2014441000-SD PSD 000 B	
MATERIAL NUMBER CUSTOMER SHEET NUMBER SEE SHEET 2 GENERAL MARKET 3 OF 6							

PANEL MOUNT PLUG PARTS

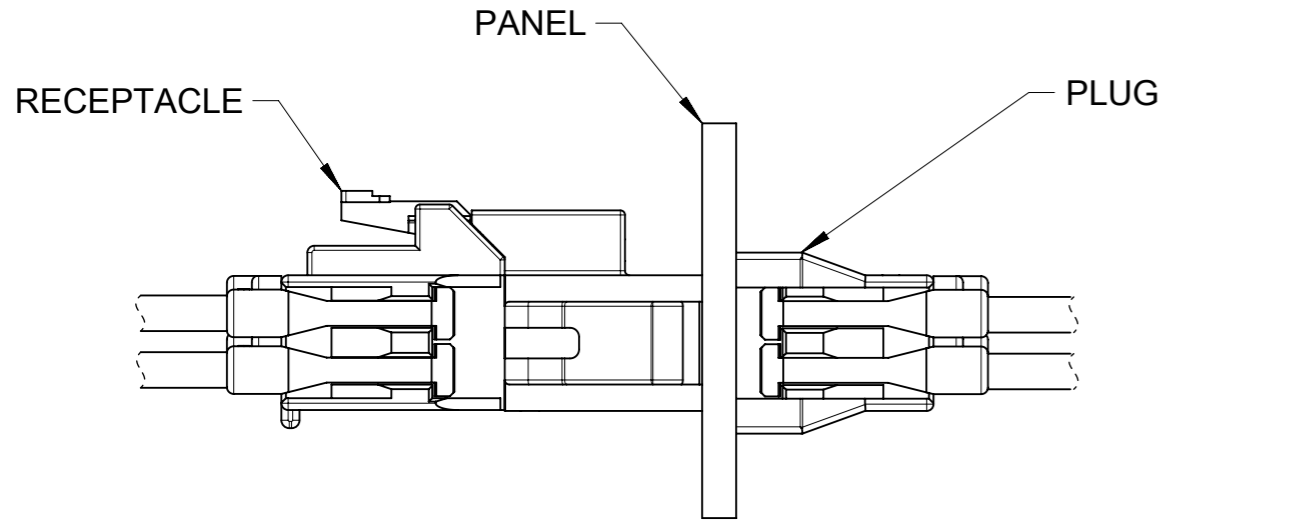


RECOMMENDED PANEL CUT OUT
(THICKNESS=1.2~2.2MM)

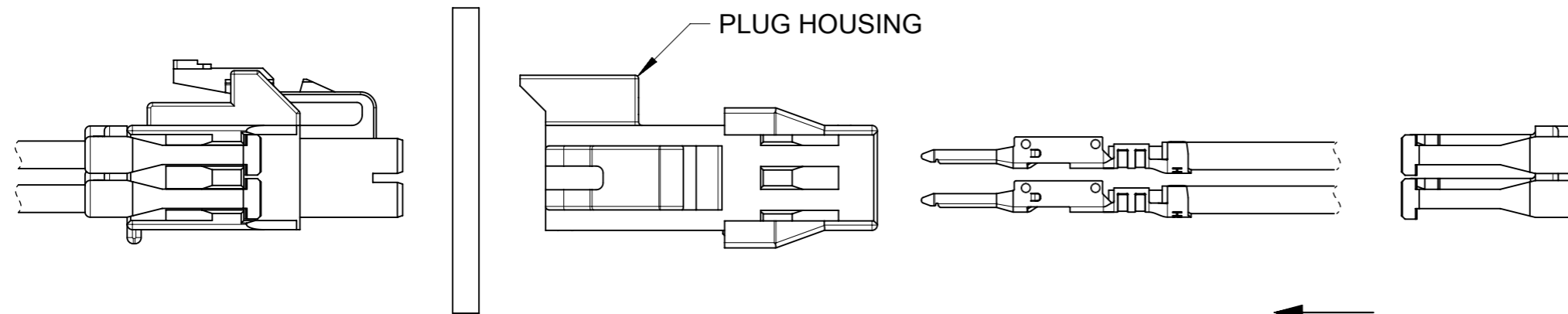
COLOR FEATURE	
BLACK	NATURAL
<p>KEY A</p>	<p>KEY B</p>

SYMBOLS DIMENSION UNITS: mm SCALE: 3:1 GENERAL TOLERANCES (UNLESS SPECIFIED): ANGULAR TOL: ± ° 4 PLACES: ± 3 PLACES: ± 2 PLACES: ± 0.15 1 PLACE: ± 0 PLACES: ± DRAFT WHERE APPLICABLE MUST REMAIN WITHIN DIMENSIONS THIRD ANGLE PROJECTION	THIS DRAWING CONTAINS INFORMATION THAT IS PROPRIETARY TO MOLEX ELECTRONIC TECHNOLOGIES, LLC AND SHOULD NOT BE USED WITHOUT WRITTEN PERMISSION		CURRENT REV DESC: EC NO: 625349 DRWN: GLLI 2019/10/09 CHK'D: YXZHENG 2019/10/10 APPR: YXZHENG 2019/10/10			
	PLUG HOUSING OF NANO-FIT WTW DR POWER CONNECTOR		PRODUCT CUSTOMER DRAWING			
	INITIAL REVISION: DRWN: GLLI 2018/07/19 APPR: AYIN 2019/04/17		DOCUMENT NUMBER: 2014441000-SD	DOC TYPE: PSD	DOC PART: 000	REVISION: B
	A3-SIZE	SERIES: 201444	MATERIAL NUMBER: SEE SHEET 5	CUSTOMER: GENERAL MARKET	SHEET NUMBER: 4 OF 6	

PANEL MOUNT PLUG PARTS



PART No	DIM'B'	DIM'C'	DIM'D'	DIM'E'	DIM'F'	CKT SIZE	COLOR
201444-1204	7.70	12.86	9.70	10.86	6.54	4	BLACK (KEY A)
201444-1206	10.20	15.36	12.20	13.36	9.04	6	
201444-1208	12.70	17.86	14.70	15.86	11.54	8	
201444-1210	15.20	20.36	17.20	18.36	14.04	10	
201444-1212	17.70	22.86	19.70	20.86	16.54	12	
201444-1214	20.20	25.36	22.20	23.36	19.04	14	
201444-1216	22.70	27.86	24.70	25.86	21.54	16	NATURAL (KEY B)
201444-2204	7.70	12.86	9.70	10.86	6.54	4	
201444-2206	10.20	15.36	12.20	13.36	9.04	6	
201444-2208	12.70	17.86	14.70	15.86	11.54	8	
201444-2210	15.20	20.36	17.20	18.36	14.04	10	
201444-2212	17.70	22.86	19.70	20.86	16.54	12	
201444-2214	20.20	25.36	22.20	23.36	19.04	14	
201444-2216	22.70	27.86	24.70	25.86	21.54	16	



←
TERMINAL AND TPA ORIENTATION

SYMBOLS DIMENSION UNITS: mm SCALE: 3:1 GENERAL TOLERANCES (UNLESS SPECIFIED) ANGULAR TOL: ± ° 4 PLACES: ± 3 PLACES: ± 2 PLACES: ± 0.15 1 PLACE: ± 0 PLACES: ± DRAFT WHERE APPLICABLE MUST REMAIN WITHIN DIMENSIONS THIRD ANGLE PROJECTION:	THIS DRAWING CONTAINS INFORMATION THAT IS PROPRIETARY TO MOLEX ELECTRONIC TECHNOLOGIES, LLC AND SHOULD NOT BE USED WITHOUT WRITTEN PERMISSION			CURRENT REV DESC:													
	EC NO: 625349			DRWN: GLLI 2019/10/09						PLUG HOUSING OF NANO-FIT WTW DR POWER CONNECTOR							
	CHK'D: YXZHENG 2019/10/10			APPR: YXZHENG 2019/10/10			PRODUCT CUSTOMER DRAWING										
	INITIAL REVISION:			DRWN: GLLI 2018/07/19			DOCUMENT NUMBER			DOC TYPE			DOC PART			REVISION	
APPR: AYIN 2019/04/17			2014441000-SD			PSD			000			B					
MATERIAL NUMBER			CUSTOMER			SHEET NUMBER			SEE CHART			GENERAL MARKET			5 OF 6		

PANEL MOUNT PLUG PARTS

	4 CKT	6 CKT	8 CKT	10 CKT
BLACK				
NATURAL				
	12 CKT	14 CKT	16 CKT	
BLACK				
NATURAL				

SYMBOLS = 0 	THIS DRAWING CONTAINS INFORMATION THAT IS PROPRIETARY TO MOLEX ELECTRONIC TECHNOLOGIES, LLC AND SHOULD NOT BE USED WITHOUT WRITTEN PERMISSION. DIMENSION UNITS: mm SCALE: 2.5:1 GENERAL TOLERANCES (UNLESS SPECIFIED) ANGULAR TOL: ± 4 PLACES ± 3 PLACES ± 2 PLACES ± 0.15 1 PLACE ± 0 PLACES ± DRAFT WHERE APPLICABLE MUST REMAIN WITHIN DIMENSIONS THIRD ANGLE PROJECTION DRAWING: A3-SIZE SERIES: 201444 MATERIAL NUMBER: SEE SHEET 5 CUSTOMER: GENERAL MARKET SHEET NUMBER: 6 OF 6	CURRENT REV DESC: EC NO: 625349 DRWN: GLLI 2019/10/09 CHK'D: YXZHENG 2019/10/10 APPR: YXZHENG 2019/10/10 INITIAL REVISION: DRWN: GLLI 2018/07/19 APPR: AYIN 2019/04/17	molex PLUG HOUSING OF NANO-FIT WTW DR POWER CONNECTOR PRODUCT CUSTOMER DRAWING DOCUMENT NUMBER: 2014441000-SD DOC TYPE: PSD DOC PART: 000 REVISION: B
--	--	---	---