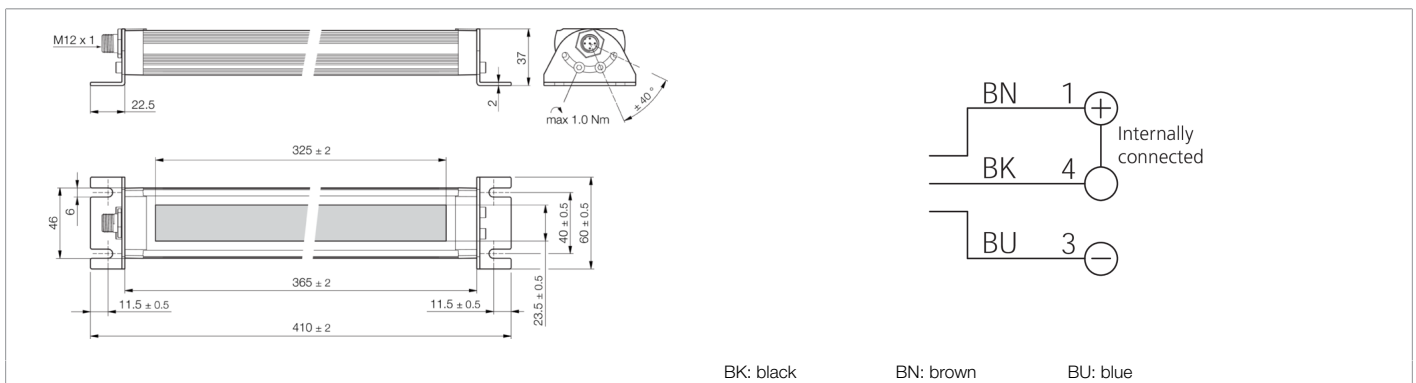




**213804**  
**MB-R-365-B5**  
**Machine lighting, semicircle**

- Extended temperature range -20 .. +50 °C
- 3 mm safety glass with opal-white glare reduction
- M12 plug connector for easy wiring
- Industrial quality due to IP 67
- Homogeneous light distribution
- Pleasant, neutral white light



Function										

Technical data (typ.)	+20°C, 24 V DC
Service voltage	24 V DC (± 10%)
Internal power consumption	335 mA (24 V DC)
Power	8,0 W (24 V)
Inverse polarity protection	Yes
Illuminated area	325 x 23,5 mm
Housing material	Aluminum (natural, Anodized)
Material	Tempered safety glass, diffuse (Diffusor)
Weight	570 g
Protection class	III, operation on protective low voltage
Risk group (DIN EN 62471)	Free group
Model	Machine lighting, semicircle
Service life	> 50.000 h (L70/B10)
Product series	MB-R
Color	White (5 000 K)
Deflection angle FWHM	106° (typ.)
Luminous flux	450 lm
Light yield	58 lm/W
Color rendering index Ra	> 80
Light intensity	<ul style="list-style-type: none"> <li>■ 2100 Lux (250,0 mm)</li> <li>■ 600 Lux (500,0 mm)</li> <li>■ 155 Lux (1000,0 mm)</li> <li>■ 70,0 Lux (1500,0 mm)</li> <li>■ 45,0 Lux (2000,0 mm)</li> </ul>
Shock/vibration load	30 g, 11 ms / 10 ... 55 Hz, 1,0 mm
Ambient temperature during operation	-20 ... +50 °C



**213804**

**MB-R-365-B5**

**Machine lighting, semicircle**

**Technical data (typ.)**

**+20°C, 24 V DC**

Protection type

IP 67

Connection

Connector, M12, 5-pin (A-coded)

**More information / accessories**

<https://www.di-soric.com/213804>