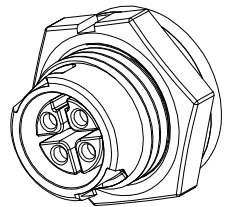
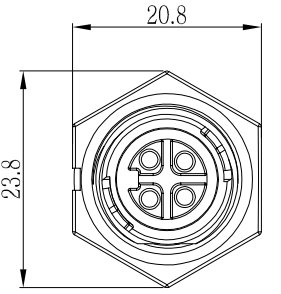
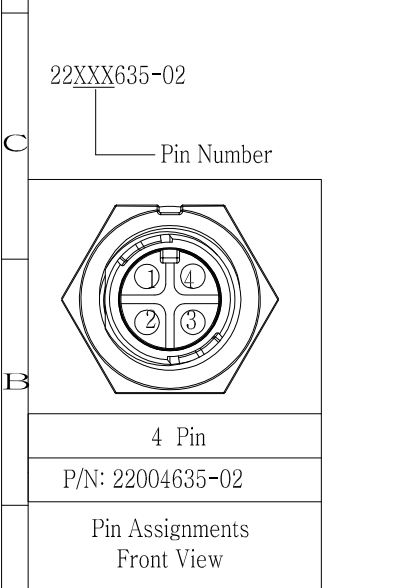
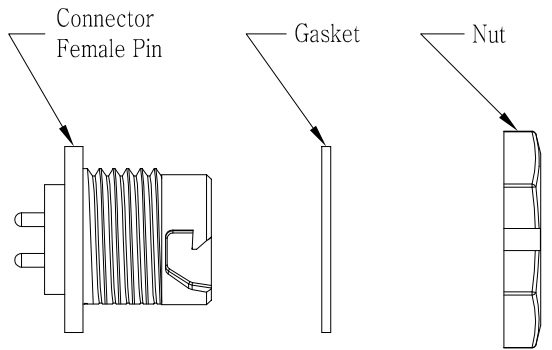
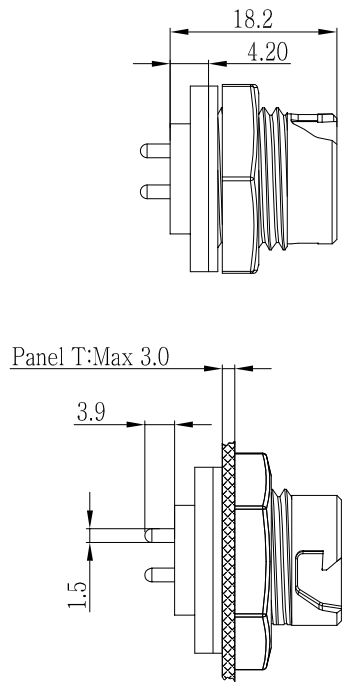
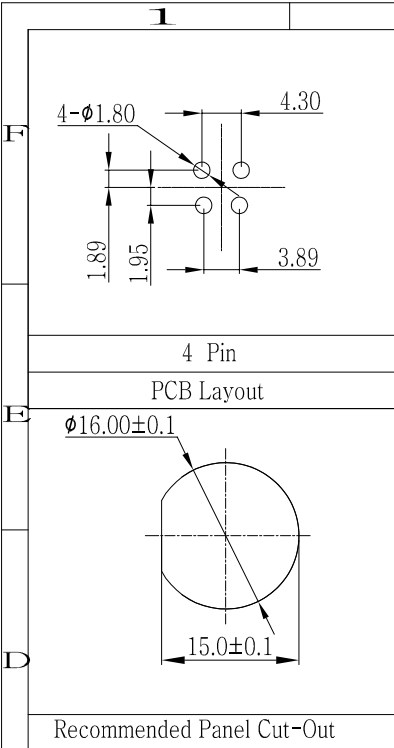


REV.	ECN NO.	DESCRIPTION	SIGN	DATE
C1	N/A	INITIAL DRAWING	Yumer	2020/04/29



- Specification:
- 1.Operation Temperature:-45°C~105°C.
 - 2.Insulation Resistance:100MΩ at DC500V.
 - 3.Contact Resistance:<10mΩ.
 - 4.Withstand Voltage: 1500V AC
 - 5.Operating Current:10A
 - 6.Operating Voltage:AC 125V
 - 7.Waterproof Rate:IP67 (Mated)
 - 8.Connector:Nylon, Black
 - 9.Female Pin:Copper Alloy, Gold Plated
 - 10.Gasket:Silicon Gray
 - 11.Panel Nut:Nylon, Blue
 - 12.Torque Rate:0.8~1.0N • m
 - 13.RoHS Compliant.
 - 14.Mating Cap P/N:806-00053-00

UNIT:mm TOLERANCE .X ±0.25 .XX ±0.15 .XXX ±0.05 ANGLES ±1°	DESCRIPTION Standard Series Push Lock Front Mount With Female Pin(PCB)			PART NO	22XXX635-02	DRAWN BY	Yumer	DATE	2020/04/29		
	SCALE	1:1		SHEET	1 OF 1	DWG NO		CHECKED BY	Ivan	DATE	2020/04/29
	REV.	C1		SIZE	A4	CUSTOMER		APPROVED BY	Panson	DATE	2020/04/29

THIS INFORMATION IS CONFIDENTIAL AND IS DISCLOSED TO YOU ON CONDITION THAT NO FURTHER DISCLOSURE IS MADE BY YOU TO OTHER THAN CHOGORI PERSONNEL WITHOUT AUTHORIZATION FROM CHOGORI CORP.