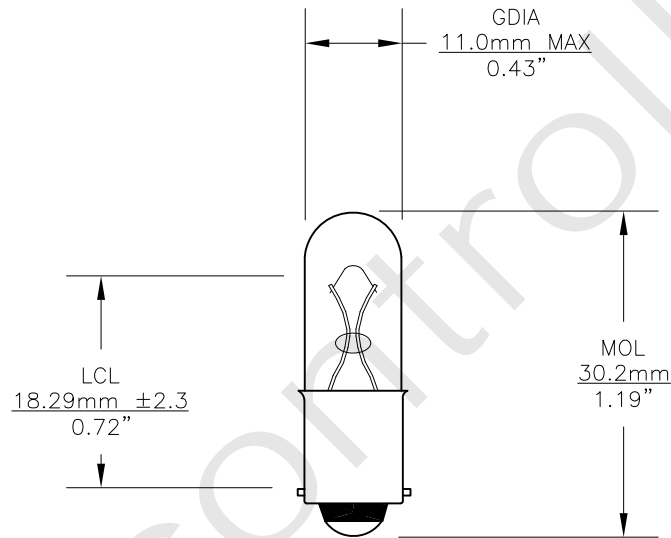


PART NO.	BASE TYPE	DESIGN VOLTS	DESIGN AMPS	MSCD	FILAMENT TYPE	AVERAGE LIFE HOURS
238-I	*MINIATURE BAYONET BA9s	6.3	0.50 ±15%	2 ±20%	C-2R	2,000

*NICKEL BASE

REVISIONS			
REV	DESCRIPTION	DATE	APPROVED
1	ISSUED	06/10/2009	D.C.



UNLESS OTHERWISE SPECIFIED: DIMENSIONS ARE IN INCHES TOLERANCES		CEC INDUSTRIES LTD			
DECIMALS .XX ± .05		599 BOND STREET		LINCOLNSHIRE, IL 60069	
ANGULAR ± 0.5°		TITLE			
FRACTIONAL ±1/64		LIGHT BULB NO. 238-I			
DRAWN D.C.	DATE 06/10/2009	SIZE	FSCM NO.	DWG NO. 238-I	REV 1
CHECKED		SCALE	PLOT SCALE	SHEET 1 OF 1	
DESIGN		FILE 238-I.dwg	DO NOT SCALE DRAWING		