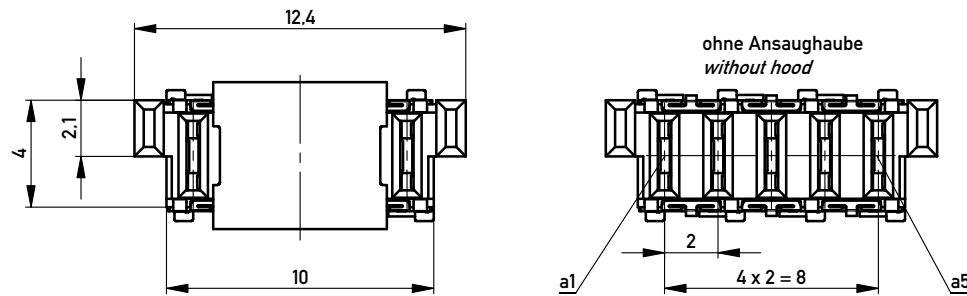
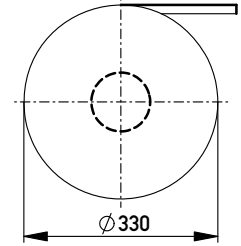
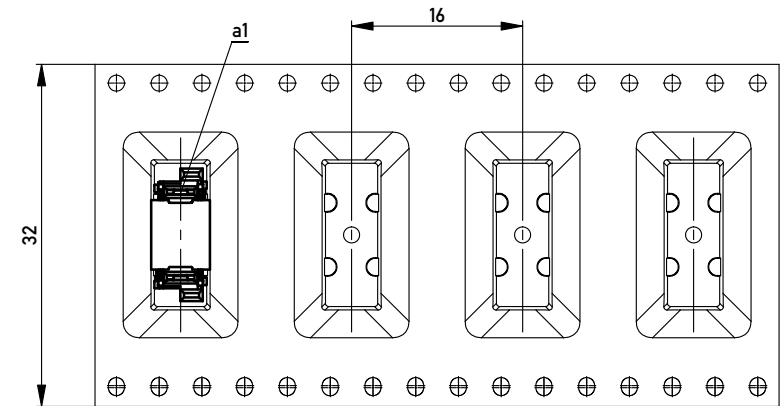


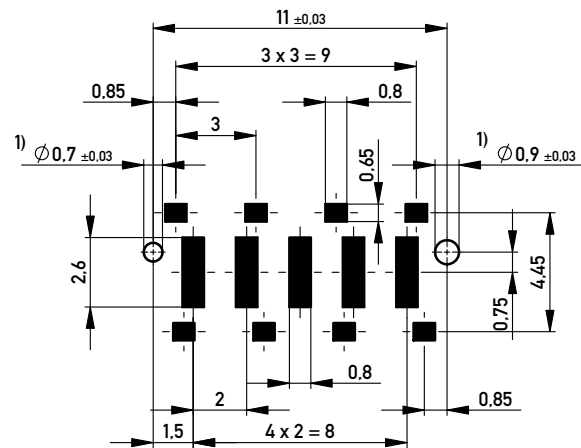
Verpackt in Gurtverpackung  
 Tape on Reel Packaging  
 Verpackungseinheit: 400 Stück  
 Packaging unit: 400 pcs



Abspulrichtung - Reel off Direction



Leiterplatten-Layout Vorschlag / PCB-layout proposal



1) Durchmesser des Bohrers / Drill tool

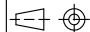

Anforderungsstufe 1  
 Performance Level 1

Kontaktbereich vergoldet  
 Mating Area gold plating

Anschlussbereich verzinkt 4-6µm  
 Terminal Area 4-6µm tin plating

Koplanarität der Anschlüsse ≤ 0.1mm  
 Coplanarity Area of Termination ≤ 0.1mm

Copyright by ERNI GmbH. Proprietary notice pursuant to ISO 9006 to be observed.

Information:	Tolerances  All Dimensions in mm	Scale 5:1	
All rights reserved. Only for Information. To ensure that this is the latest version of this drawing, please contact one of the ERNI companies before using.	Subject to modification without prior notice. Drawing will not be updated.	Designation <b>F04 MSPEED BlindMate PM SMD</b>	
		 www.ERNI.com <b>354262</b>	
b	14.09.2012		I
Index	Date		A3
Class		MSPEED	