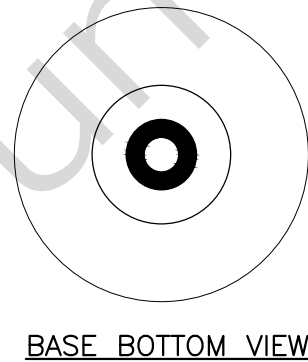
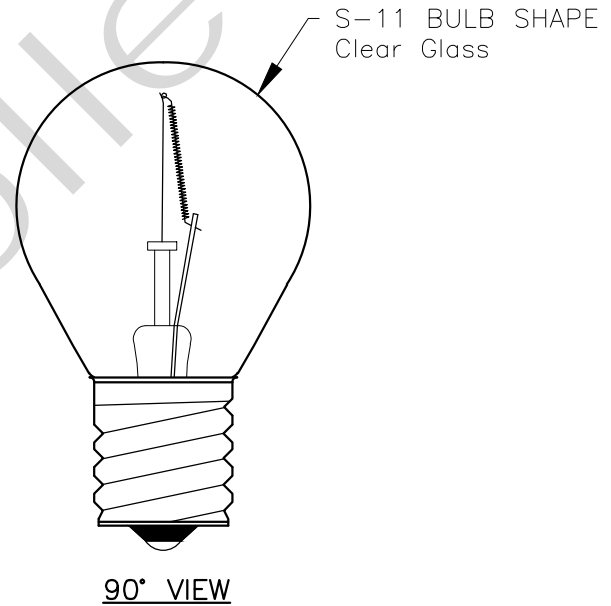
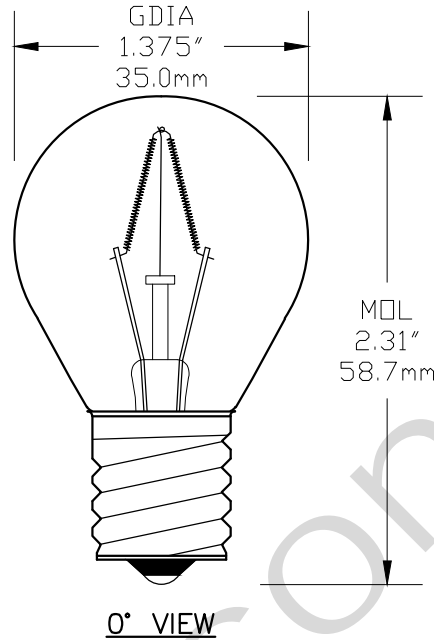




Since 1959

PART NO.	BASE TYPE	DESIGN VOLTS	DESIGN WATTS	DESIGN AMPS	DESIGN LUMENS	FILAMENT TYPE	AVERAGE LIFE HOURS	REVISIONS			
								REV #	DESCRIPTION	DATE	APPROVED
40S11N/ 120V	Intermediate Screw (E17)	120V	40W	0.33	440	C-2V	500	1	ISSUED	03/17/2009	D.C.



ESTIMATED BULB WEIGHT: 14.2g  
 Note: Made according to SAE specifications



UNLESS OTHERWISE SPECIFIED: DIMENSIONS ARE IN INCHES TOLERANCES		CEC INDUSTRIES LTD			
DECIMALS	ANGULAR	599 BOND STREET		LINCOLNSHIRE, IL 60069	
.XX ± .05	± 0.5°	TITLE LIGHT BULB NO. 40S11/N/120V			
.XXX ± .010		SIZE A	FSCM NO.	DWG NO. 40S11/N/120V	REV 1
FRACTIONAL	± 1/64	SCALE		PLOT SCALE	SHEET 1 OF 1
DRAWN DENNIS CLARK		DATE 03/17/2009		MATERIAL FILE 40S11-N-120V.pdf	
CHECKED		DRAWN		DRAWING NOT TO SCALE	