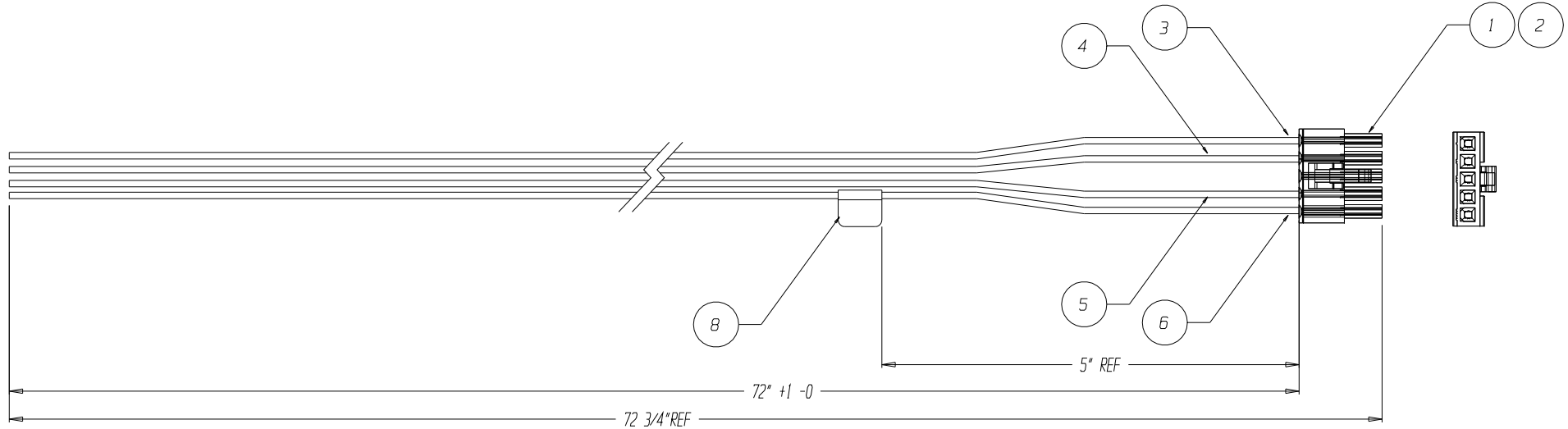


ebn-popst MFG. NOTES

1 LEAD DIMENSION IS AT FULL EXTENSION

REV.	EC #	REVISION DESCRIPTION	DATE	D.ENG.	CHECKER
001	2888	RELEASE TO PRODUCTION	06/08/00	BARB	MZ
002	6578	CHANGE 22AWG TO 18AWG. ADD PROD.ID LABEL	09/22/04	DTM	DW
003	10008	CHANGE LEAD LENGTH TO 72" (WAS 36")	08/05/16	DTM	DTM



LEAD PIN CALLOUT	
PIN 1	RED
PIN 2	WHITE
PIN 3	-----NC-----
PIN 4	YELLOW
PIN 5	BLUE

WIRE TIE USED TO BUNDLE WRAP

ITEM	QTY	PART NUMBER	DESCRIPTION
8	1	605-50-2659	PRODUCT ID LABEL
7	1	400-50-0003	WIRE TIE 4"
6	1	410-18-0011	BLUE AWG18 LUL1007
5	1	410-18-0015	YELLOW AWG18 LUL1007
4	1	410-18-0024	WHITE AWG18 LUL1007
3	1	410-18-0002	RED AWG18 LUL1007
2	4	405-32-0024	MOLEX 39-00-0059 TERM (REEL)
	REF	405-32-0007	MOLEX 39-00-0060 TERM (LOOSE)
1	1	405-34-0017	MOLEX 39-01-4051 CONNECTOR

ebn-popst Inc. DISCLOSURE THIS DOCUMENT IS THE PROPERTY OF ebn-popst Inc. ITS USE IS AUTHORIZED BY ebn-popst Inc. ONLY. ALL QUESTIONS MUST BE REFERRED TO ebn-popst Inc. PERSONNEL: DESIGN ENG., MFG.ENG., AND / OR PURCHASING. CAUTION: ANY PRINTED COPY IS UNCONTROLLED AND TO BE USED FOR REFERENCE ONLY. REFER TO ebn-popst In. CAD SYS. FOR VERIFICATION. Form No. 1073 Rev. H		MATERIAL: N/A FINISH: N/A IF APPLICABLE PLACE SECOND FINISH AND DESCRIPTION HERE ALL INNER BEND RADI = 1mm BOTTOM BEND UNLESS OTHERWISE STATED TOLERANCES, UNLESS OTHERWISE STATED: DECIMAL .XXX ± .020 HOLES .XXX ± .003 TOLERANCES FOR CNC FLAT .XXX EXCLUDING HOLE DIA. +/- .010 TOLERANCE .XX ± .030 ANGLES ± 1° REF	BEND DEDUCTION N/A COSMETICS PER ebn-popst SPEC-D-1 SEE CAD FOR DIMS. NOT SHOWN BREAK ALL SHARP EDGES ALL DIMENSIONS ARE IN INCHES 	PART NO. 420-05-0275 TITLE DC POWER CONTROL HARNESS FIRST USED ON 420-05-0275 DESIGN ENG. DTM ORG. DATE 05/01/00 E# EA-0662	ebmpapst REVISION 003 SHEET 1 OF 1
---	--	--	--	--	--