

Hybrids

2-18 GHz

SMA Multi-Octave 90° and 180° Hybrids

- Smallest Size and Weight
- Multi-Octave Bandwidth
- Excellent Phase Balance
- Low VSWR
- High Isolation
- Rigid Construction Resists Shock and Vibration
- Operational to 105°C without Degradation (125°C storage)



Specifications

90°, SMA (F), 2 to 18 GHz, 30 W

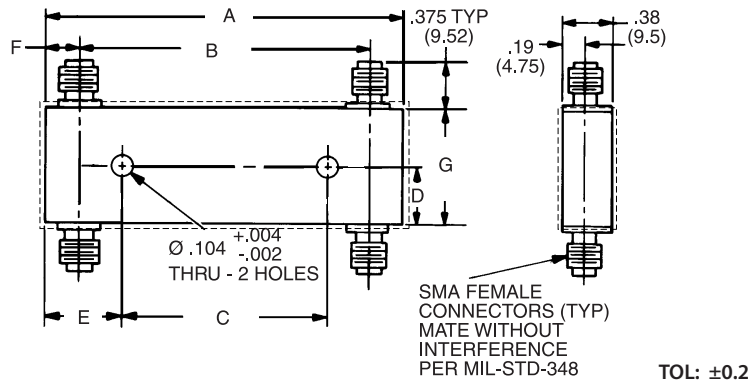
FREQUENCY RANGE (GHz)	MODEL	NOMINAL COUPLING (dB)	VSWR (max.)	INSERTION LOSS (dB max.)	ISOLATION (dB min.)	AMPLITUDE BALANCE (dB)	PHASE BALANCE	POWER		WEIGHT	
								AVERAGE (W)	PEAK (kW)	oz.	gr.
2-8	4333	3	1.4	0.75	24	±0.5	±5°	30	3	2.7	75
6-18	4336	3	1.5	0.85	14	±0.7	±6°	30	3	1.0	28

180°, SMA (F), 2 to 18 GHz, 30 W

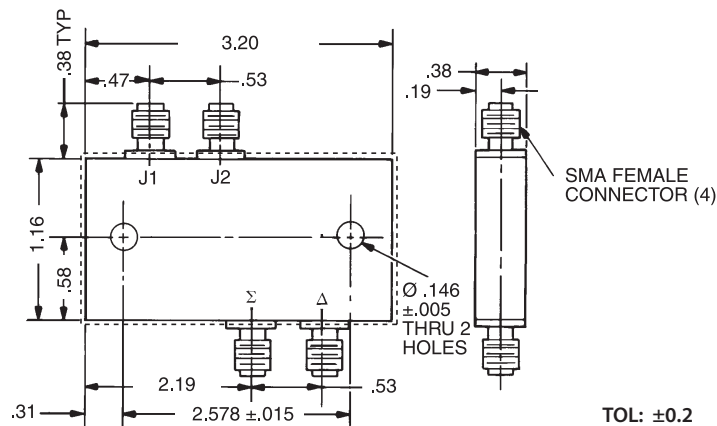
FREQUENCY RANGE (GHz)	MODEL	NOMINAL COUPLING (dB)	VSWR (max.)	INSERTION LOSS (dB max.)	ISOLATION (dB min.)	AMPLITUDE BALANCE (dB)	PHASE BALANCE	POWER		WEIGHT	
								AVERAGE (W)	PEAK (kW)	oz.	gr.
2-8	4343*	3	1.5	1.30	17	±0.5	±13°	30	3	2.2	62

* Special-order unit, minimum quantity may apply

Outline Drawings



MODEL	A	B	C ± 0.015	D	E	F	G
4333	2.71 (68.71)	2.20 (56.01)	1.561 (39.65)	.43 (10.95)	.57 (14.53)	.25 (6.35)	.860 (21.89)
4336	1.25 (31.75)	0.80 (20.32)	0.375 (9.52)	.40 (10.21)	.44 (11.10)	.23 (5.71)	.804 (20.42)



MODEL 4343

Allow .020 for sealant build-up per surface.
Dimensions in inches (mm in parentheses), unless otherwise specified.