

## Product / Process Change Notification (PCN)

- Major change  
 Minor change

**PCN #:** PCN\_ConMJ\_20220429

**Affected Series:** WE-ConMJSM;  
634108137121,  
634008137521

**PCN Date:** January 27, 2022

**Effective Date:** April 29, 2022

### Change Category:

- Equipment / Location  
 General Data  
 Material  
 Process  
 Product Design  
 Shipping / Packaging  
 Supplier  
 Software

**Contact:** Product Management

**Phone:** +49 (0) 7942 - 945 5001

**Fax:** +49 (0) 7942 - 945 5179

**E-Mail:** pcn.eican@we-online.com

### Data Sheet Change:

- Yes  No

### Attachment:

- Yes  No

### DESCRIPTION AND PURPOSE OF CHANGE:

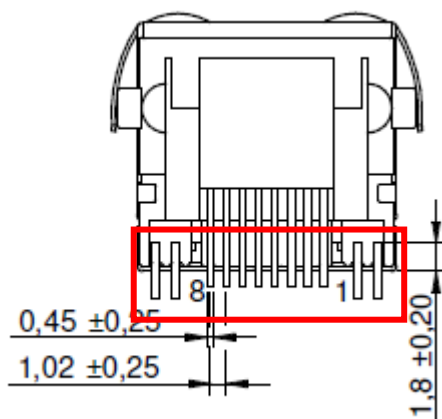
In order to enhance the product reliability, Würth Elektronik is changing the assembly sequence of the contact pins.

All products with date code 2022-02-01 or later, will be affected by this change.

There will be no change in fit, function, quality or reliability of the product.

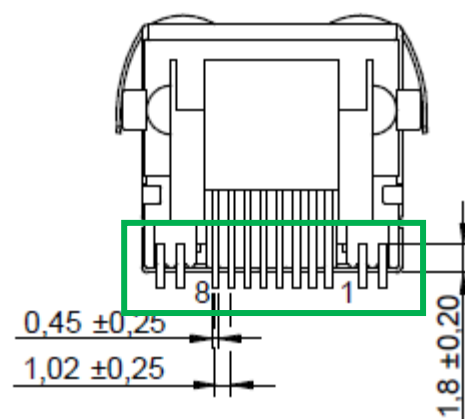
### DETAIL OF CHANGE:

#### BEFORE CHANGE:



**CONTACT PINS UNEVEN**

#### AFTER CHANGE:



**CONTACT PINS EVEN**

**Würth Elektronik eiSos GmbH & Co. KG**

**EMC & Inductive Solutions**

Max-Eyth-Straße 1 · 74638 Waldenburg · Germany

Tel. +49 (0) 79 42 945-0 · Fax +49 (0) 79 42 945-400

eiSos@we-online.de · www.we-online.de



**RELIABILITY / QUALIFICATION SUMMARY:**

Product approval is according to the specification and is internally released by the Product Management Department.