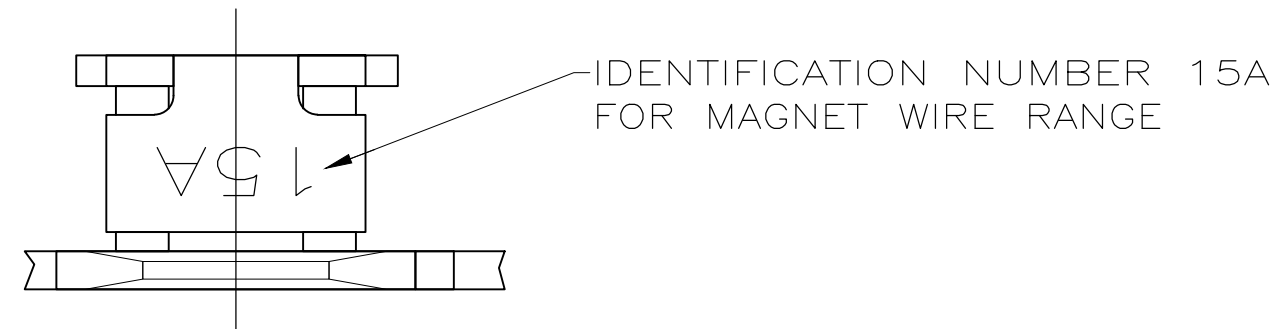
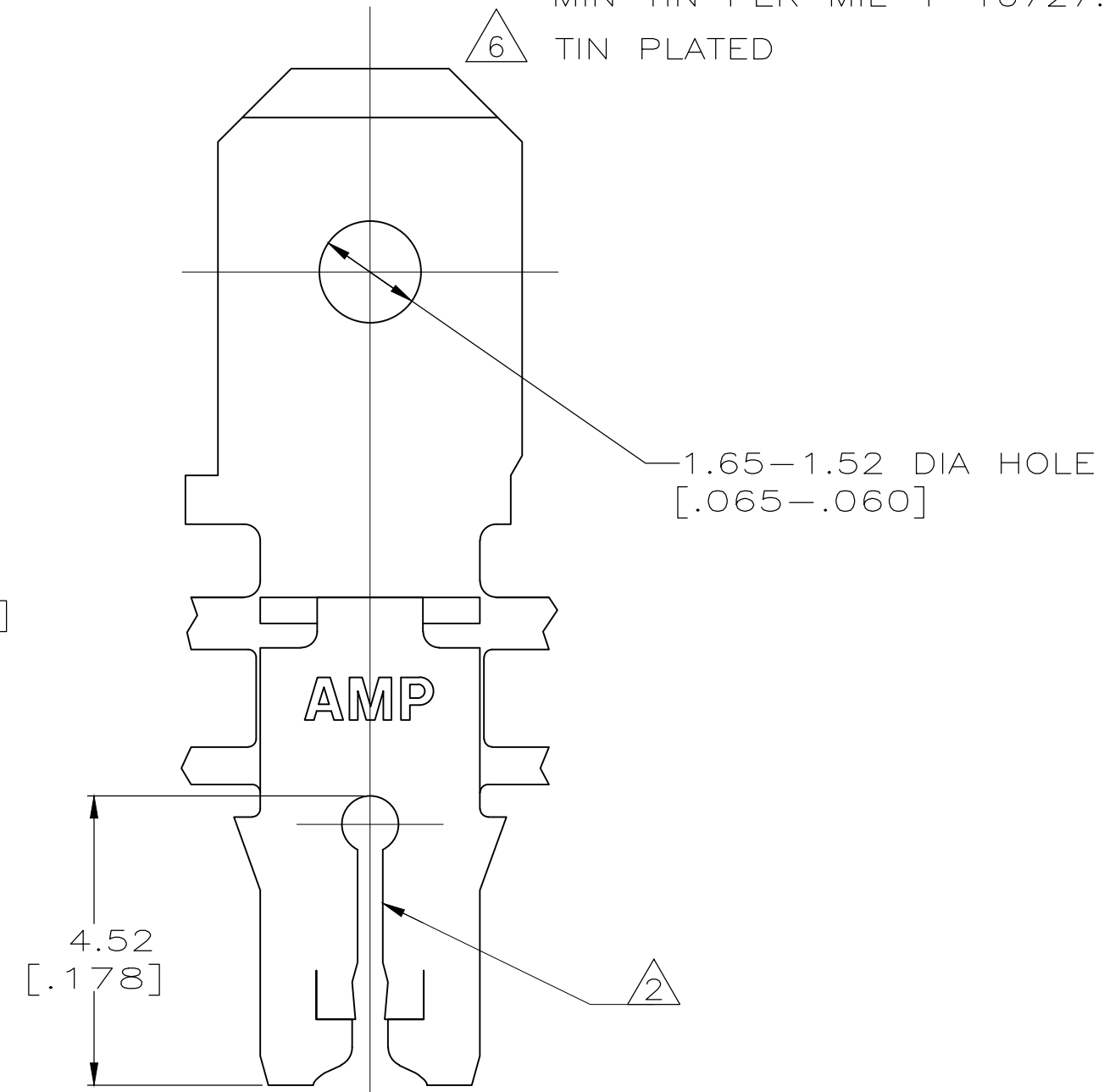
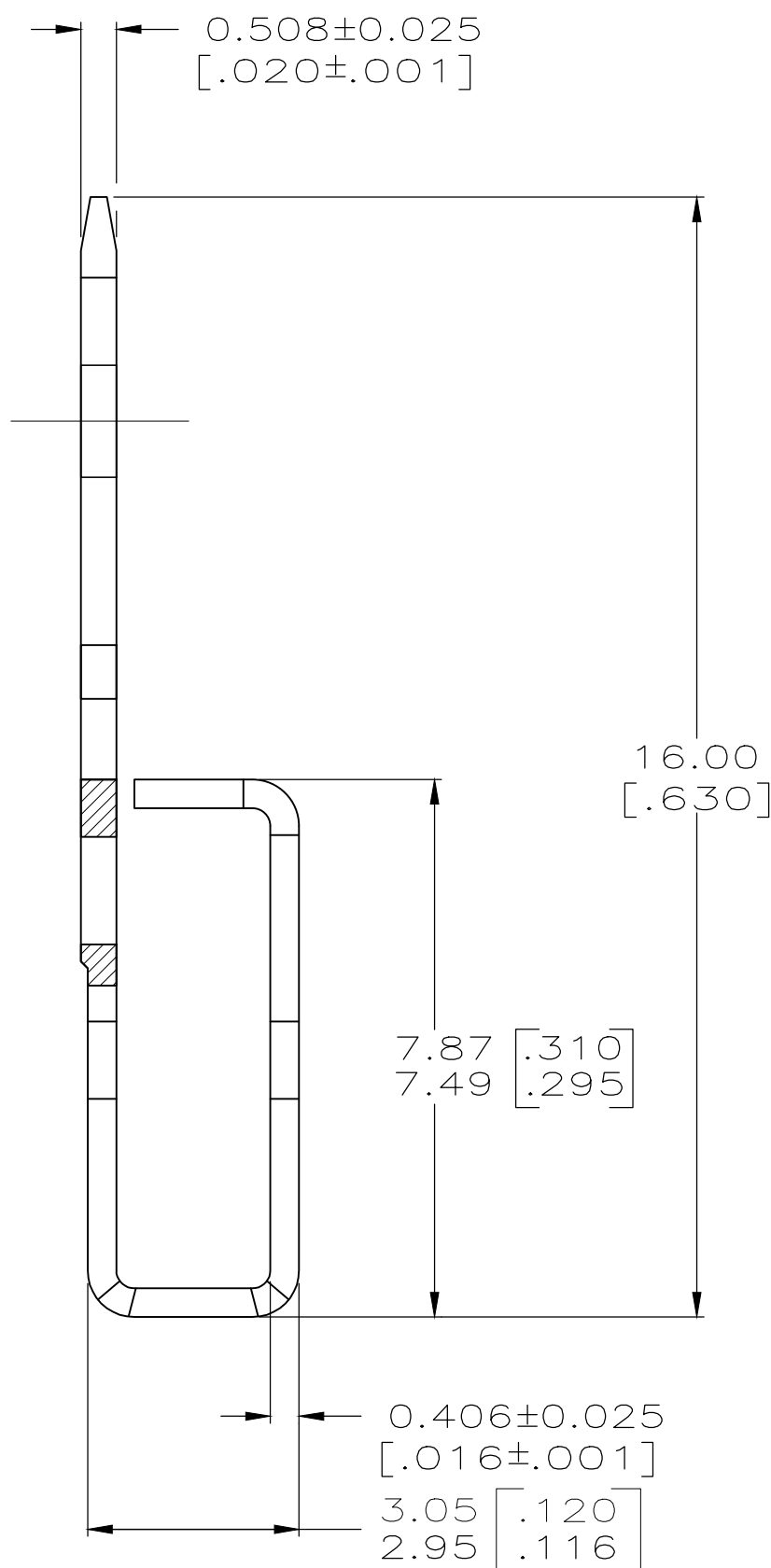
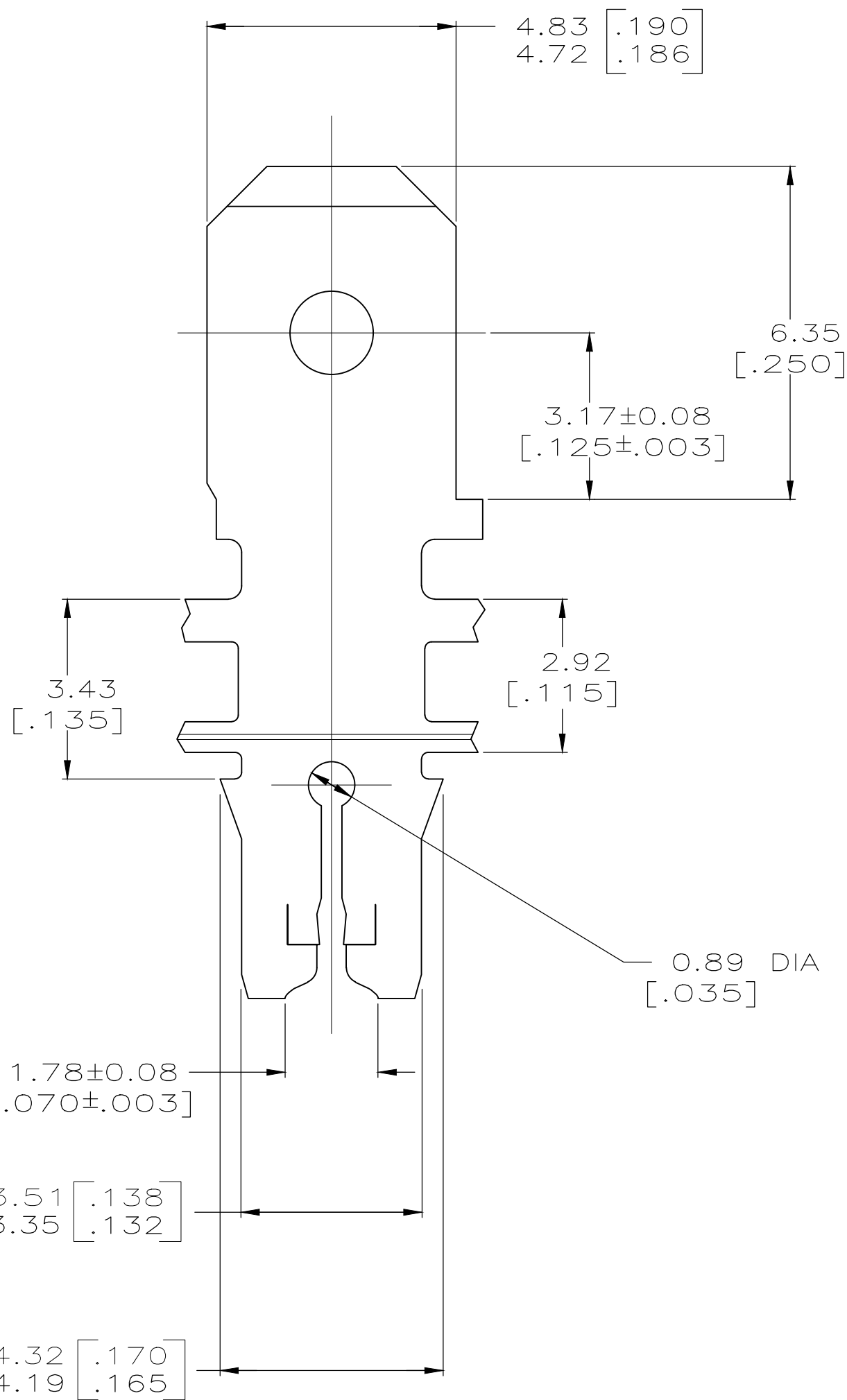


THIS DRAWING IS UNPUBLISHED. RELEASED FOR PUBLICATION  
 © COPYRIGHT - By - ALL RIGHTS RESERVED.

| LOC |     | DIST        |                           | REVISIONS |      |    |  |
|-----|-----|-------------|---------------------------|-----------|------|----|--|
| P   | LTR | DESCRIPTION | DATE                      | DWN       | APVD |    |  |
| AF  | 50  | D2          | REVISED PER ECR-19-005868 | 16MAY2019 | BDA  | SV |  |



- 1 CONTINUOUS STRIP ON REELS WITH TERMINALS LOCATED ON 5.59±0.08 [.220±.003] CENTERS. SLOT TERMINATES A SINGLE MAGNET WIRE ONLY.
- 2 ALUMINUM RANGE: 0.72-0.96mm [#21-#18.5] AWG.
- 3 AFTER INSERTION INTO PLASTIC HOLDER TAB PORTION MUST BE BENT OVER 45° TO 90° OR POTTED-IN TO PREVENT PULL-OUT WHEN MATING RECEPTACLE IS DISCONNECTED.
- 4 ANVIL HEIGHT TO BE 2.29±0.13 [.090±.005].
- 5 VARNISH RESIST OVER 0.002032 [.000080] MIN TIN PER MIL-T-10727.
- 6 TIN PLATED



|         |          |
|---------|----------|
| 6       | 63669-2  |
| 5       | 63669-1  |
| REMARKS | PART NO. |

|   |  |                                   |                                |   |
|---|--|-----------------------------------|--------------------------------|---|
| THIS DRAWING IS A CONTROLLED DOCUMENT.  |  | DWN<br>MICHAEL S. FEHER<br>9/3/92 | TE Connectivity                |   |
| DIMENSIONS:<br>INCHES   |  | CHK<br>JEFF R. RUTH<br>9/4/92     | NAME                           |   |
| TOLERANCES UNLESS OTHERWISE SPECIFIED:<br>0 PLC ± -<br>1 PLC ± -<br>2 PLC ± 0.25 [.010]<br>3 PLC ± -<br>4 PLC ± -<br>ANGLES ± - |  | APVD<br>NELSON E. NEFF<br>9/15/92 | PRODUCT SPEC<br>108-2012       |   |
| MATERIAL<br>BRASS   |  | FINISH<br>5                       | APPLICATION SPEC<br>114-2046 4 | TERMINAL, TAB,<br>4.75 [.187] FASTON,™<br>MAG-MATE™ |
|   |  | WEIGHT<br>-                       | SIZE<br>A2                     | RESTRICTED TO<br>-                                  |
|   |  | CUSTOMER DRAWING                  | CAGE CODE<br>00779             | DRAWING NO<br>C-63669                               |
|   |  | SCALE<br>10:1                     | SHEET<br>1 of 1                | REV<br>D2   |