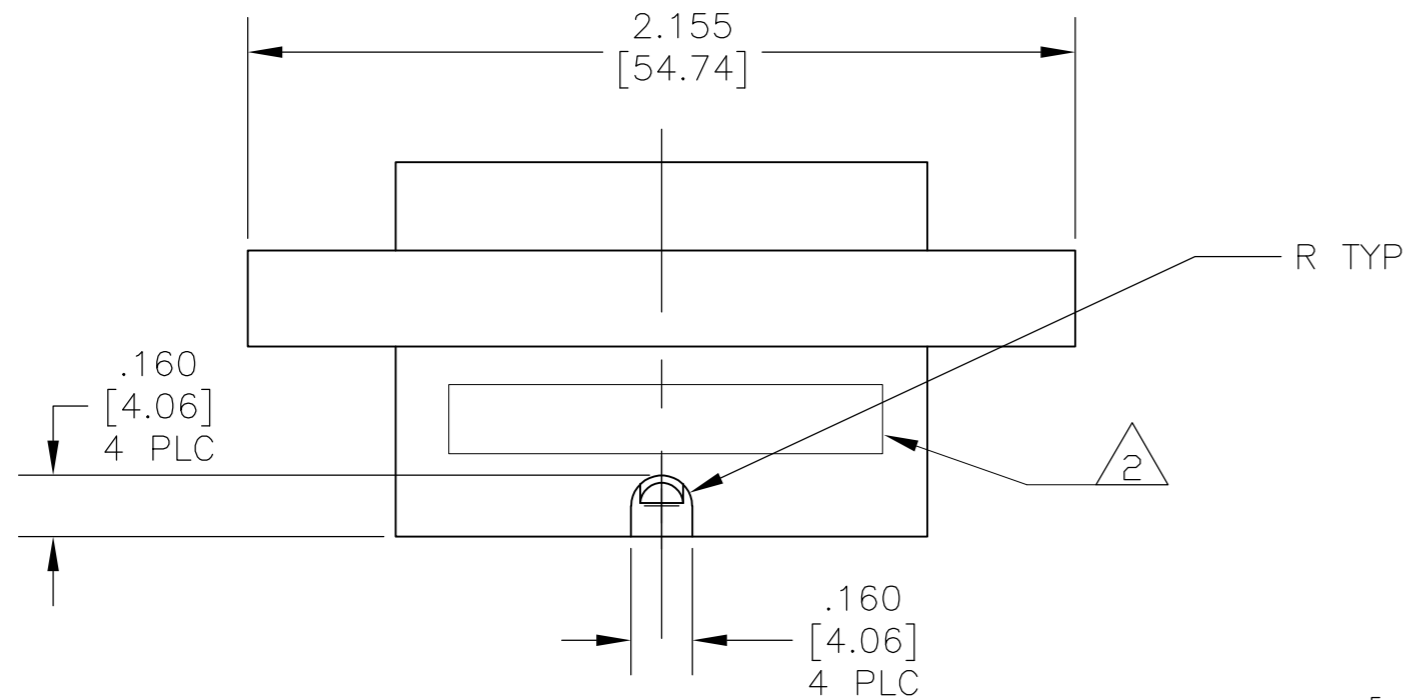
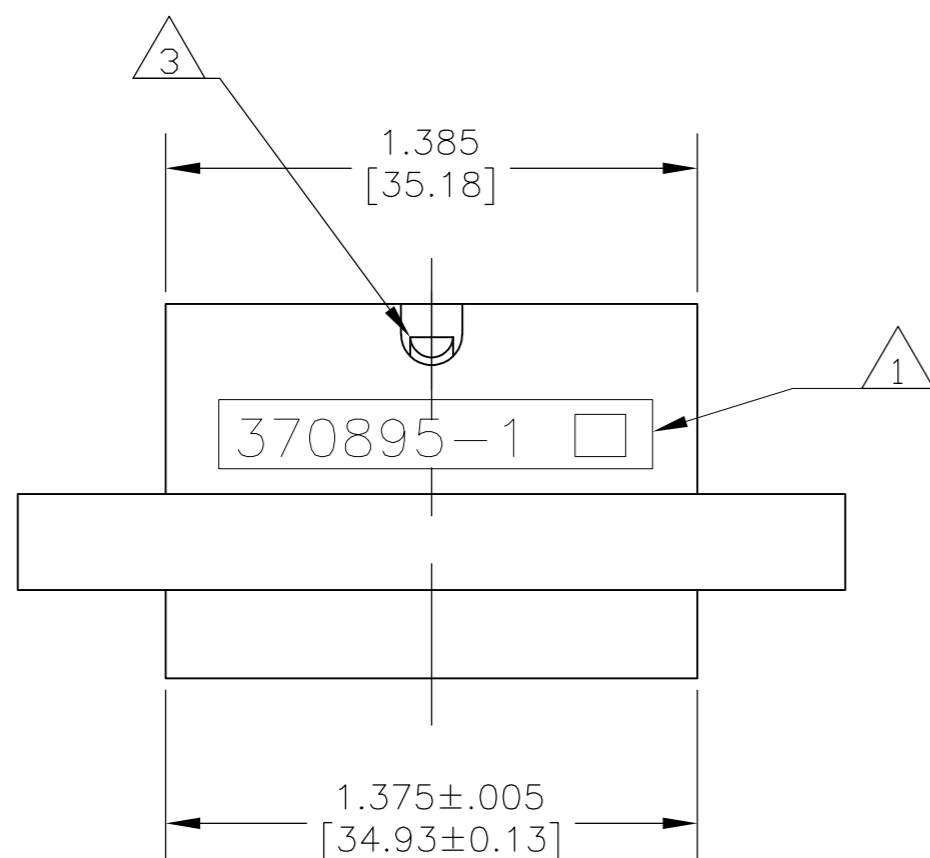
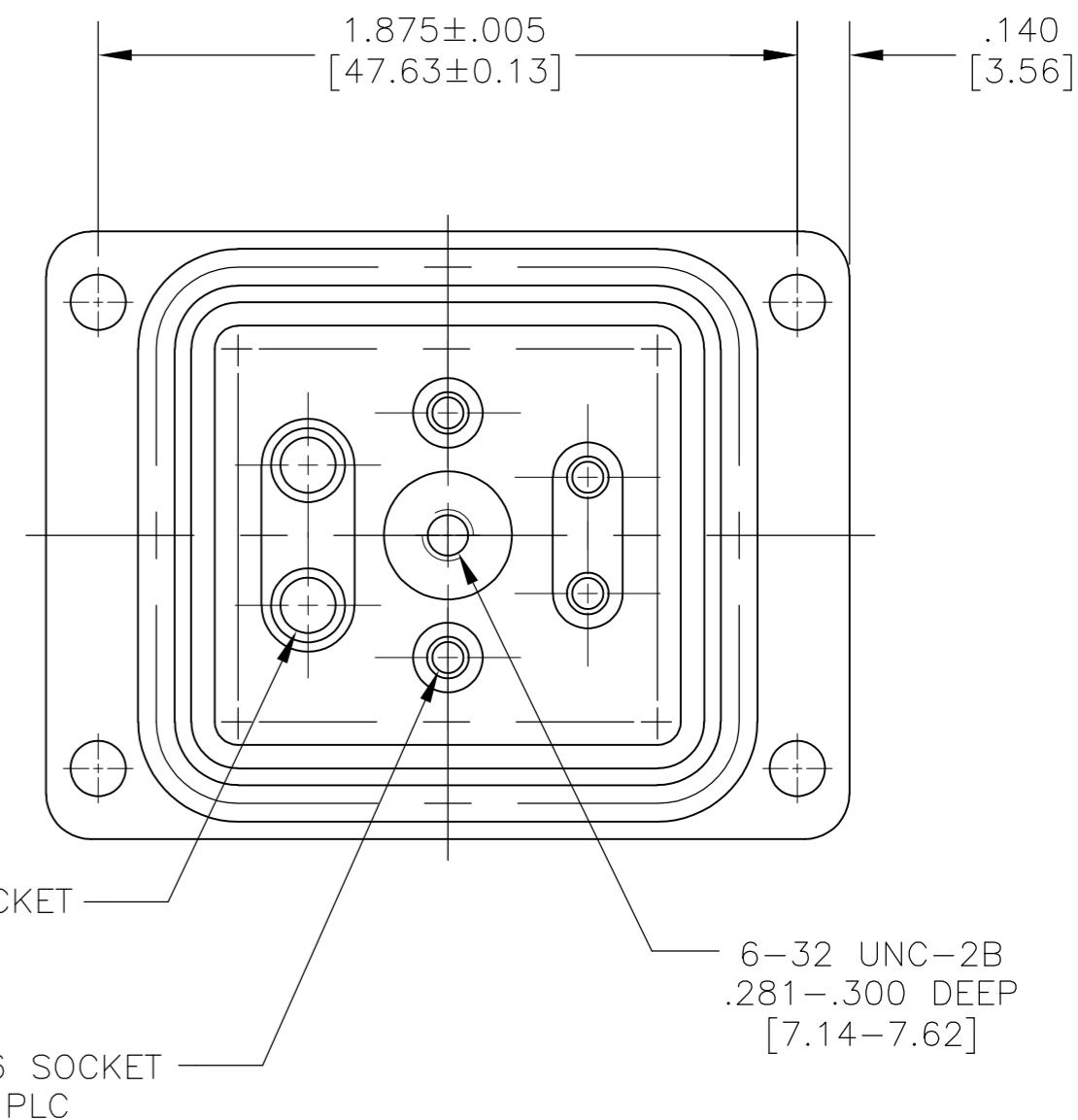
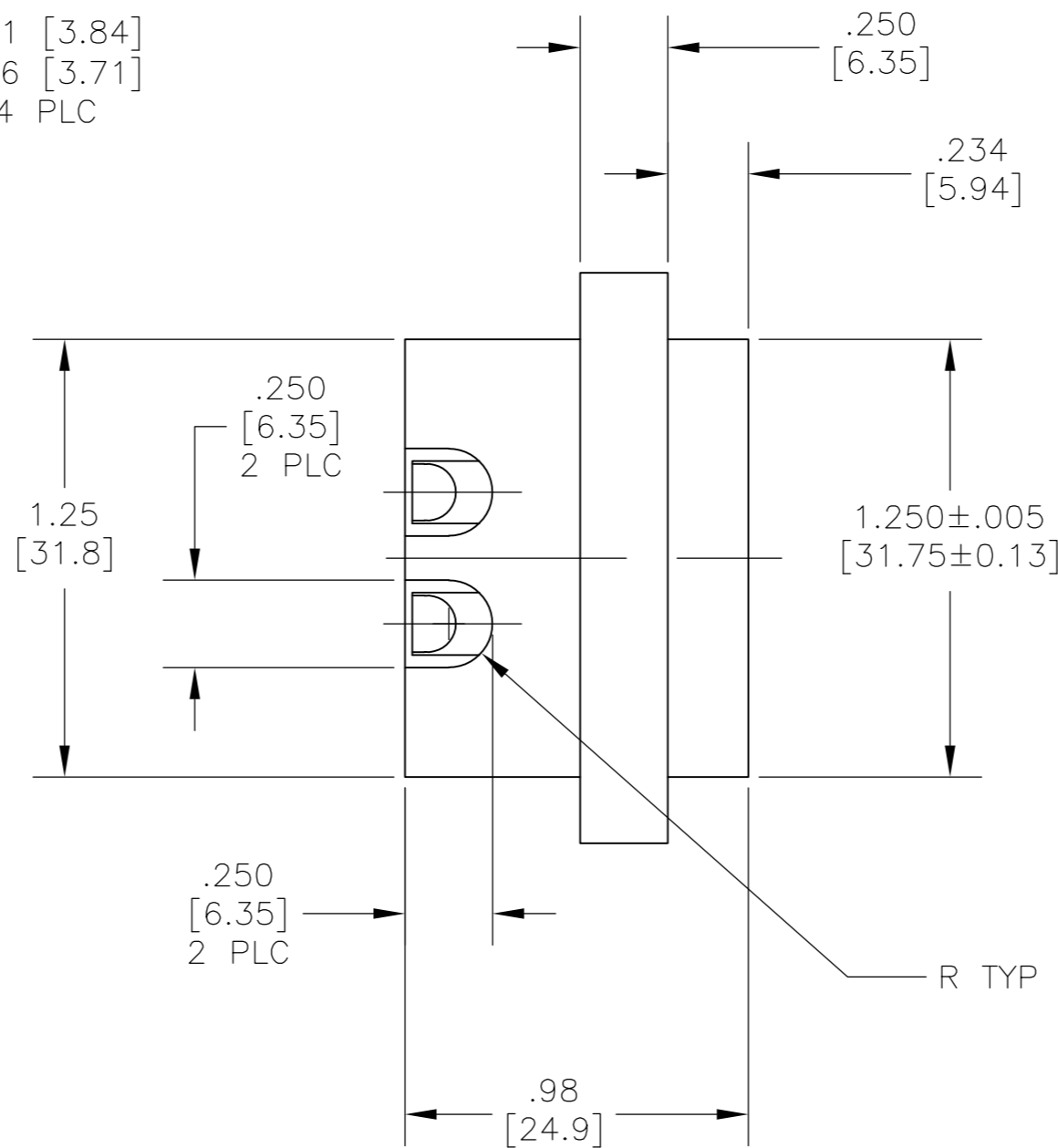
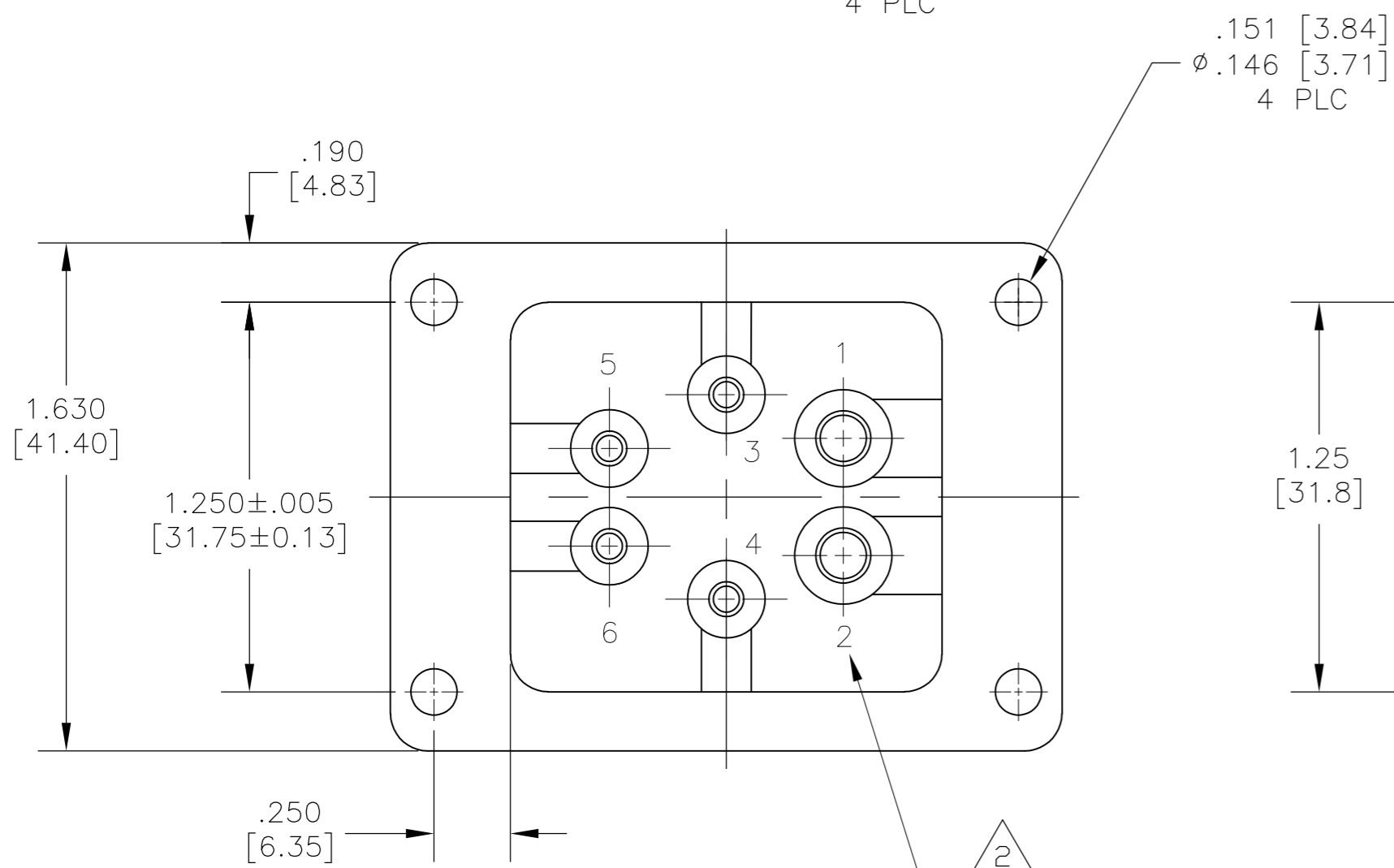


THIS DRAWING IS UNPUBLISHED. RELEASED FOR PUBLICATION  
 © COPYRIGHT BY TYCO ELECTRONICS CORPORATION. ALL INTERNATIONAL RIGHTS RESERVED.

LOC	DIST	REVISIONS			
P	LTR	DESCRIPTION	DATE	DWN	APVD
DF	S5				
P		REV PER ECO-08-029386	16APR09	PY	DE



- △ CUSTOMER PART NO AND LATEST CUSTOMER REVISION LETTER MARKED PER MIL-STD-130, -1 ONLY
- △ AMP INFORMATION AND CAVITY NUMBERS MARKED PER MIL-STD-130.
- △ SOLDER CUP OPENINGS FACE OPEN GROOVE IN HOUSING, 6 PLC.
- △ THIS RECEPTACLE MATES WITH AMP PART NO 858057-1 OR 858057-2.
- △ THIS RECEPTACLE IS HERMETICALLY SEALED.
- △ THIS RECEPTACLE IS NOT HERMETICALLY SEALED.



	△ 6	858059-2
OBSELETE	△ 1 △ 5	858059-1
NOTES		PART NO

THIS DRAWING IS A CONTROLLED DOCUMENT.		DWN C.C.THOMAS 4-17-97	Tyco Electronics Corporation Harrisburg, PA 17105-3608	
DIMENSIONS: INCHES		CHK S.GLATFELTER 9-9-97	NAME RECEPTACLE, 6 POSN., LGH	
TOLERANCES UNLESS OTHERWISE SPECIFIED:		APVD S.GLATFELTER 9-9-97	PRODUCT SPEC -	
0 PLC ± -		APPLICATION SPEC -		
1 PLC ± -		WEIGHT -		
2 PLC ± .03 [0.8]		SIZE A2 CAGE CODE 00779 DRAWING NO C=858059 RESTRICTED TO -		
3 PLC ± .010 [0.25]		SCALE 2:1 SHEET 1 of 1 REV P		
4 PLC ± -				
ANGLES ± -				
FINISH -				
MATERIAL -		CUSTOMER DRAWING		