



LAYOUT SHOWN AS EXAMPLE

Keying Shown as example

CHARACTERISTICS

- Standard : Based on MIL-DTL-38999 Series III
- Shell Material : Stainless Steel
- Shell Plating : Passivated
- Insulator : Thermoplastic
- Contacts : Copper Alloy
- Seals & Grommet : Silicon Elastomer
- Contact Plating : Gold over copper Alloy 0.8µm minimum
- Durability : 500 Mating cycles
- Delivered without Souriau contacts
- Temperature Range : -65°C to +200°C
- Salt Spray : 500 hours
- Mass : 44.14 g ± 10%

Connector dimension	
Dim	Nominal
P	3.25±0.2
PP	4.39±0.2
R1	24.61
R2	23.01
S	31±0.3
V	20.83+0/-1.25
W	2.1/2.5
Z	31.5 Max
VV THREAD	M22x1-6g

SOURIAU shall not be liable for any non-conformity or damage due to a use of the Products which does not comply with the Specifications issued by either of the Parties or by a third party (professional recommendation, technical notice.)

Country	Jurisdiction & Control List
FR	Not Listed

PN: 8D015K05PBL

A	12-10-2016	First Release	
ISS	DATE	Latest modification - by	MOD N°
Designed By:		Date:	CUSTOMER DRAWING
TITLE	Stainless Steel Receptacle 8D series		
SCALE	NA	General linear Tolerances: ±--	NPRDS / PROJECT 859
SOURIAU	WWW.SOURIAU.COM		This document is the property of SOURIAU it must not be reproduced or communicated without permission
FORMAT	A3		SOURIAU DRG N° 8D015K05PBL-C
			SHEET 1/2

BASIC SERIES:	8D	0	-	15	K	05	P	B	L	Delivered W/O Contacts
SHELL TYPE :	Square Flange Receptacle									ORIENTATION : B
CONTACT TYPE :	Standard Crimp Contact									CONTACT TYPE : PIN(500 Matings)
SHELL SIZE :	15									CONTACT LAYOUT : 15-05
PLATING :	K = Passivated									

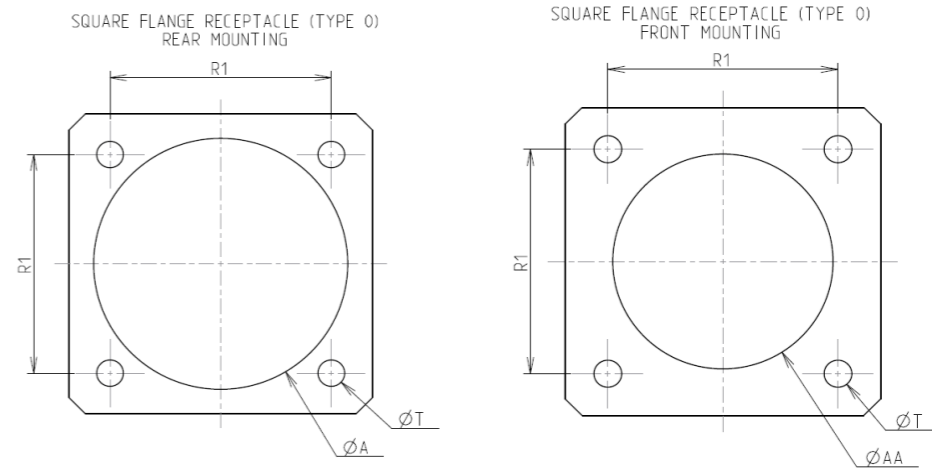
Contact Layout



Contacts (Insert arrangement 15-5)		
Contact position ID	Location	
	X-axis (mm)	Y-axis (mm)
A	+000 (0.00)	+100 (2.54)
B	+174 (4.42)	+024 (0.61)
C	+094 (2.39)	-148 (3.76)
D	-094 (2.39)	-148 (3.76)
E	-174 (4.42)	+024 (0.61)

Shell size	Arrangement no.	Number of contacts	Size contacts	Service rating	Contact location	Supersedes
15	-5	5	16	II	All	MS20052-5

Panel Cutout



Dim	Nominal
ØA	26.59 min
ØAA	23.01 min
R1	24.61
ØT	3.25 ±0.13

SOURIAU shall not be liable for any non-conformity or damage due to a use of the Products which does not comply with the Specifications issued by either of the Parties or by a third party (professional recommendation, technical notice.)

Country	Jurisdiction & Control List
FR	Not Listed

PN: 8D015K05PBL

A	12-10-2016	First Release	
ISS	DATE	Latest modification - by	MOD N°
Designed By:		Date:	CUSTOMER DRAWING
TITLE	Stainless Steel Receptacle 8D series		
SCALE		General linear Tolerances:	NPRDS / PROJECT
NA		±--	859
SOURIAU	WWW.SOURIAU.COM		This document is the property of SOURIAU it must not be reproduced or communicated without permission
FORMAT	SOURIAU DRG N° 8D015K05PBL-C		SHEET 2/2