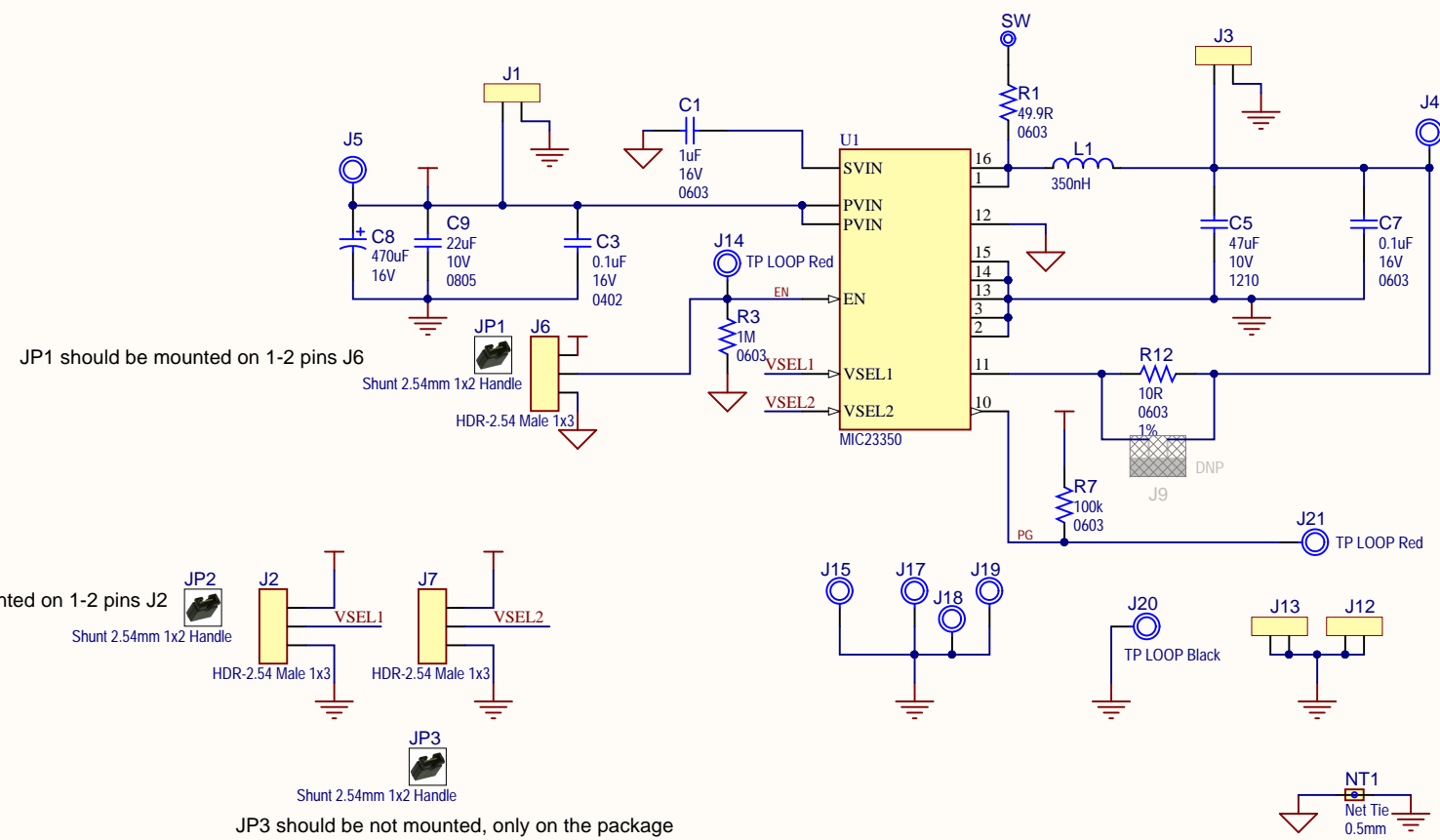


REV	ECO#	DESCRIPTION	DATE



LABEL1
02- -R1
 LABEL Need Help Small

Drawn By: Alexandru Stoica		
Engineer: Alexandru Stoica		
PartNumber: ADM00880	Project Title MIC23350 Eval Board	
Sheet Title MIC23350 Eval Board		
Size B	Sch #:03-10739	Date: 9/28/2018 9:46:34 AM
Revision: 1	Sheet 1 of 1	
File: Mechanical.SchDoc		

Designed with
Altium
Altium.com