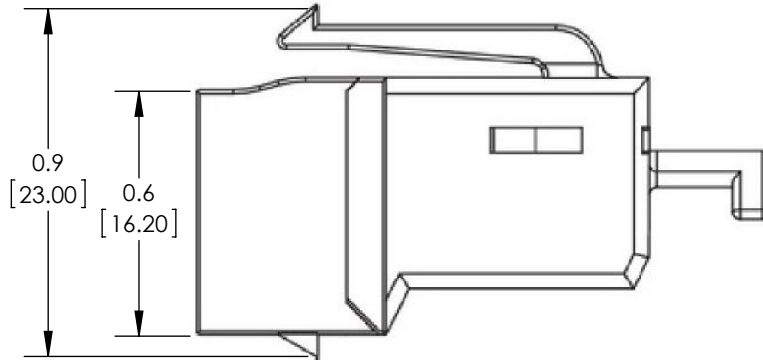
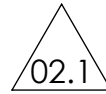
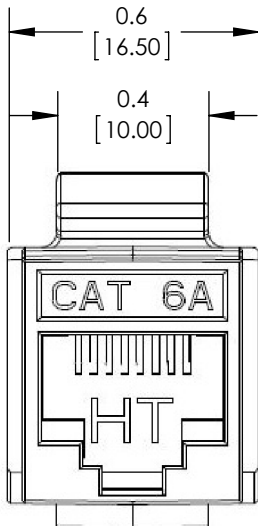
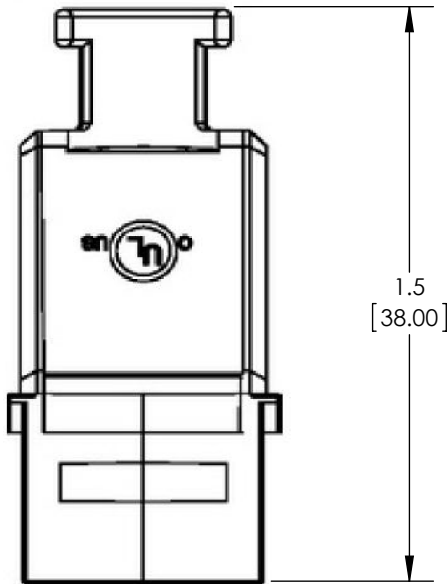


SW2014



Revision level			Revision Record	Changed	Date	Approved	Date
Drawing	State	Part					
02.1	Design Release		SEE ECN# 014298	CAS	2/28/2018	KAC	2/28/2018



Type #	Color	Article #	GLOBAL PART NAME
GSTJ6AUB	Black (BK)	852-25139	GSTJ6AUB-BK
	Blue (BL)	852-25140	GSTJ6AUB-BL
	Brown (BR)	852-25141	GSTJ6AUB-BR
	Office White (FW)	852-25142	GSTJ6AUB-FW
	Green (GN)	852-25143	GSTJ6AUB-GN
	Gray (GR)	852-25144	GSTJ6AUB-GY
	Ivory (IV)	852-25145	GSTJ6AUB-IV
	Orange (OG)	852-25146	GSTJ6AUB-OR
	Red (RD)	852-25147	GSTJ6AUB-RD
	Violet (VI)	852-25148	GSTJ6AUB-VI
	White (WH)	852-25149	GSTJ6AUB-WH
	Yellow (YE)	852-25150	GSTJ6AUB-YE
GSTJ6AU	Black (BK)	852-25103	GSTJ6AU-BK
	Blue (BL)	852-25104	GSTJ6AU-BL
	Brown (BR)	852-25105	GSTJ6AU-BR
	Office White (FW)	852-25106	GSTJ6AU-FW
	Green (GN)	852-25107	GSTJ6AU-GN
	Gray (GR)	852-25108	GSTJ6AU-GY
	Ivory (IV)	852-25109	GSTJ6AU-IV
	Orange (OG)	852-25110	GSTJ6AU-OR
	Red (RD)	852-25111	GSTJ6AU-RD
	Violet (VI)	852-25112	GSTJ6AU-VI
	White (WH)	852-25113	GSTJ6AU-WH
	Yellow (YE)	852-25114	GSTJ6AU-YE
GSTJC6UB	Black (BK)	852-25151	GSTJC6UB-BK
	Blue (BL)	852-25152	GSTJC6UB-BL
	Brown (BR)	852-25153	GSTJC6UB-BR
	Office White (FW)	852-25154	GSTJC6UB-FW
	Green (GN)	852-25155	GSTJC6UB-GN
	Gray (GR)	852-25156	GSTJC6UB-GY
	Ivory (IV)	852-25157	GSTJC6UB-IV
	Orange (OG)	852-25158	GSTJC6UB-OR
	Red (RD)	852-25159	GSTJC6UB-RD
	Violet (VI)	852-25160	GSTJC6UB-VI
	White (WH)	852-25161	GSTJC6UB-WH
	Yellow (YE)	852-25162	GSTJC6UB-YE
GSTJC6U	Black (BK)	852-25115	GSTJC6U-BK
	Blue (BL)	852-25116	GSTJC6U-BL
	Brown (BR)	852-25117	GSTJC6U-BR
	Office White (FW)	852-25118	GSTJC6U-FW
	Green (GN)	852-25119	GSTJC6U-GN
	Gray (GR)	852-25120	GSTJC6U-GY
	Ivory (IV)	852-25121	GSTJC6U-IV
	Orange (OG)	852-25122	GSTJC6U-OR
	Red (RD)	852-25123	GSTJC6U-RD
	Violet (VI)	852-25124	GSTJC6U-VI
	White (WH)	852-25125	GSTJC6U-WH
	Yellow (YE)	852-25126	GSTJC6U-YE

Material	Units: <b>inches</b>
-	Dimension without tolerances details to: .xxxx = ±.0005 .xxx = ±.005 .xx = ±.01 .x = ±.03 None = ±.06 < = ±0.5° Dimension Formatted in [mm]

The copyright of this drawing is reserved by HellermannTyton. It is issued on condition that it is not reproduced, copied, or disclosed to a third party, either wholly or in part, without the consent of HellermannTyton.

Drawn	GRW	5/8/2016
Approved	KAC	5/10/2016
<b>HellermannTyton</b>		
North America Email: corp@htamericas.com Web: www.hellermann.tyton.com		

Article/Type-No	SEE TABLE	Scale	2:1
Title	GST CAT6/CAT6A UTP JACK	Project Number	PRP 16-0370
Drawing-No	PRODUCTION : Phase	Format	AH
<b>16-0370-001-CSU</b>		Sheet	1/1