



MS86T Series

Ø86mm High Intensity LED
Multi Function Signal Lights



- Extremely high light output using unique LED technology
- Outstanding visibility at distance
- Flashing Cycles : 2 patterns (Selectable by a switch)
- Adjustable flashing or rotating cycles
- Built-in audible alarm with adjustable volume

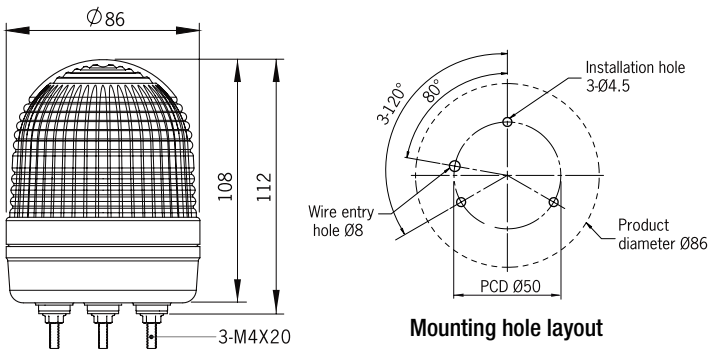
Ordering Information

MS86T - ① ② - ③

① Light Style	R	Steady, Flashing & Rotating
	B	Steady, Flashing & Rotating w/Alarm
② Power Supply	00	12-24V AC/DC
	FF	90-240V AC
③ Lens Colors	R	Red
	Y	Yellow
	G	Green
	B	Blue
	C	Clear

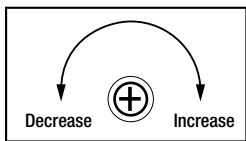
Dimensions

unit: mm

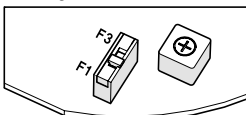


Feature settings

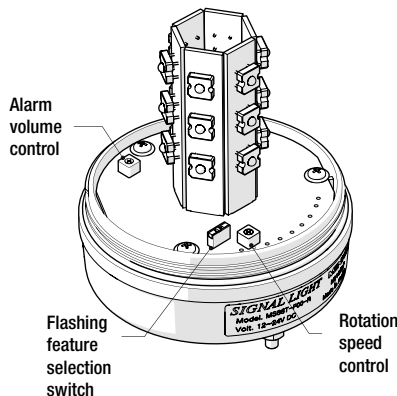
- Alarm volume control
- Rotation speed control



- Flashing feature selection



F1: 80±10 times per minute
F3: 240±10 times per minute
(emergency signal display light)

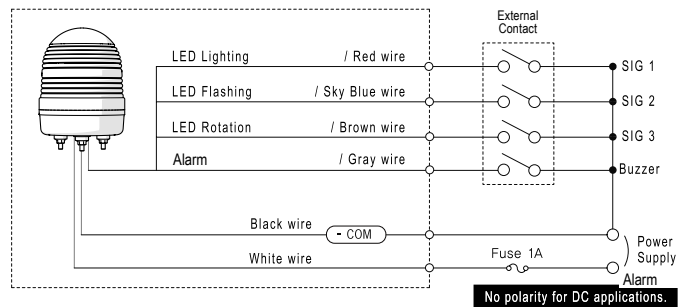


Specifications

Lighting type	Steady/Flashing/Rotating/Alarm	
Power Supply	12~24VAC/DC	90~240VAC
Current Consumption	3 Sound type	Max. 0.52A±10%
	4 Sound type	Max. 0.65A±10%
	Alarm	150mA
Flash Rate	F1: 80 ±10 flashes/minute F3: 240 ±10 flashes/minute(emergency)	
Rotation Rate	Min 60 ~ Max 300rpm (clockwise)	
Alarm Sound Level	10-100 ±5dB at 1m	
Vibration	0.75mm at 10~55 Hz	
Insulation Resistance	100 MΩ minimum (500VDC mega)	
Ambient Temperature	-20~40°C	
Storage Temperature	-20~70°C	
Ambient Humidity	45~85% RH	
Degree of Protection	IP65	
Recommended Wire Size	UL1007/22AWG	
Weight	Approx. 230g	
Certificate/Compliance	RoHS, UL	

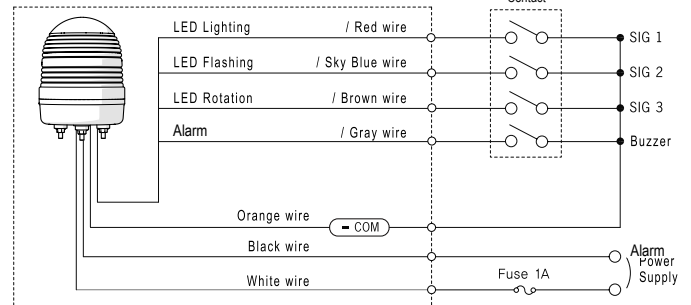
Wiring Diagram

12-24V AC/DC



No polarity for DC applications.

90-240V AC



See page 19 - 21
for mounting options and accessories