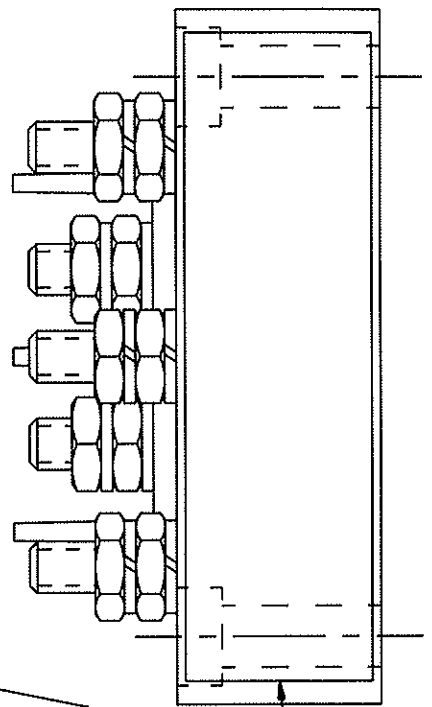


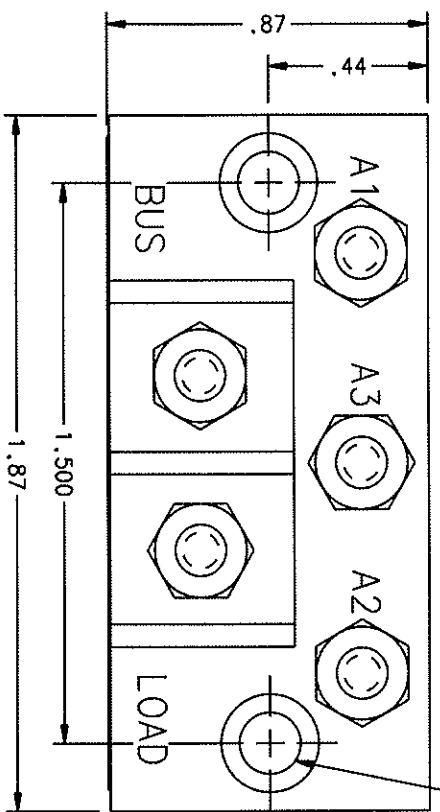
FAA/PMA

REV.	DESCRIPTION	DATE	APPROVED
H	31665 REDRAWN, FIND NO 6 ADDED	96/12/09	RS
J	33993 FIND NO 2 WAS 35892-010	97/10/16	RS
K	40472 *MAX* ADDED TO .59, 1.87 WAS 1.86	99/09/27	RS
L	41486 *MAX* ADDED TO .76 & 1.03	00/02/01	RS

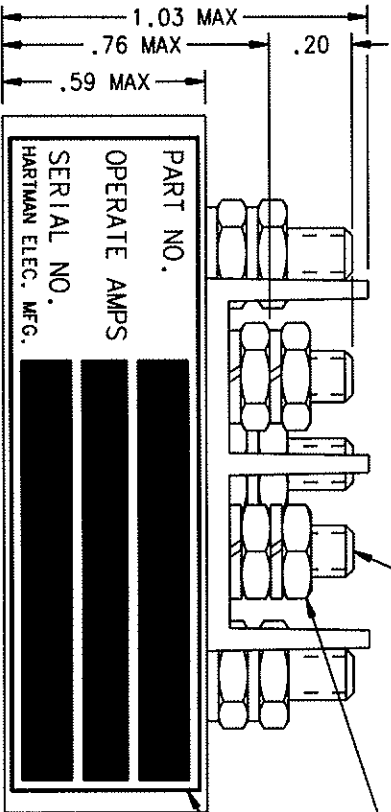
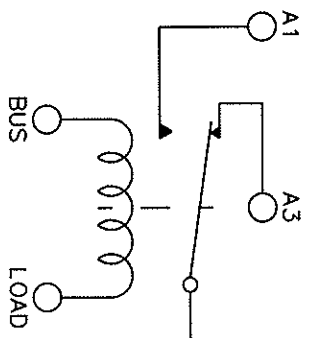
Q-50F



.166 DIA HOLE, C'BORE  
.265 DIA X .12 DEEP  
2 MTG HOLES



**OPERATE CHARACTERISTICS**  
CONTINUOUS 3.5 AMPS DC MAX  
PICKUP 2 AMPS DC MAX  
DROPOUT .8 AMP MIN.  
CONTACT RATING .25 AMP 28 VDC  
LAMP LOAD .080 AMP 28 VDC  
VIBRATION 10 G'S TO 500 HZ  
ALTITUDE 50,000 FT. MAX  
TEMP. -55°C TO +71°C  
MAX. WEIGHT 1.25 OZ.



6-32 UNC-2A  
5 REQ'D.

PART NO. [REDACTED]  
OPERATE AMPS [REDACTED]  
SERIAL NO. [REDACTED]  
HARTMAN ELEC. MFG. [REDACTED]

FIND NO	QTY	PART OR IDENTIFYING NO	NOMENCLATURE OR DESCRIPTION	FSOI NO	DRAWING OR SPECIFICATION	MATERIAL OR NOTE
6	2	39529-024	OVERLAY			
5	1	58400-061	PLATE - FAA/PMA			BRONZE
4	5	51806-014	WASHER - LOCK NO. 6 SPLIT			BRASS
3	5	50406-034	NUT - 6-32 X 1/4 X 5/64 HEX			
2	1	35891-010	RELAY ASSEMBLY - PRIMARY			
1	1	34246-001	PLATE - NAME			

UNLESS OTHERWISE SPECIFIED  
DIMENSIONS ARE IN INCHES  
TOLERANCES ON  
2 PL. DEC. 13 PL. DEC. ANGLES  
\*.06 \* .010 \* 1\*

DR BY RJS 00/02/25  
CHK BY RS 00/02/25  
ENGR BY [REDACTED] 00/03/03  
MFG [REDACTED] 00/03/03

HARTMAN ELECTRICAL MANUFACTURING  
MANSFIELD, OHIO

RELAY - CURRENT INDICATOR  
SIZE CODE IDENT DWG NO. 093  
C 74063 Q-50F  
SCALE NONE SHEET