



ULTRA LOW NOISE, MEDIUM CURRENT

# D-PHEMT Transistor

## SAV-331+

50Ω 10-4000 MHz

### THE BIG DEAL

- Low Noise Figure, 0.5 dB typ. at 300 MHz
- Gain, 24.1 dB typ. at 300 MHz
- High Output IP3, +32.3 dBm typ. at 300 MHz
- Output Power at 1dB comp., +19.6 dBm typ. at 300 MHz
- Low Current, 60mA
- External biasing and matching required



Generic photo used for illustration purposes only

CASE STYLE: MMM1362

### +RoHS Compliant

The +Suffix identifies RoHS Compliance. See our web site for RoHS Compliance methodologies and qualifications

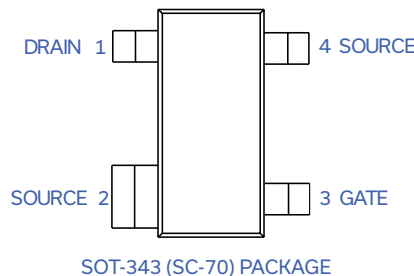
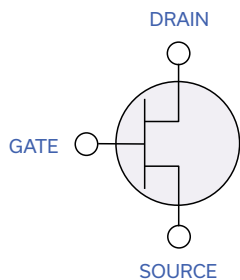
### APPLICATIONS

- Cellular
- ISM
- GSM
- WCDMA
- WiMax
- WLAN
- UNII and HIPERLAN

### PRODUCT OVERVIEW

Mini-Circuits' SAV-331+ is a MMIC D-PHEMT transistor with an operating frequency range from 10 to 4000 MHz. This model combines high gain with extremely low noise figure, resulting in lower overall system noise. Low NF and IP3 performance make it an ideal choice for sensitive receivers in communications systems. Manufactured using highly repeatable D-PHEMT\* technology, the unit comes housed in a tiny 4-lead SOT-343 package. This model requires external biasing and matching.

### SIMPLIFIED SCHEMATIC AND PIN DESCRIPTION



Function	Pin Number	Description
Source	2 & 4	Source terminal, normally connected to ground
Gate	3	Gate used for RF Input
Drain	1	Drain used for RF output

\* Depletion mode Pseudomorphic High Electron Mobility Transistor.

REV. B  
ECO-010314  
SAV-331+  
RS/CP/AM  
211022





ULTRA LOW NOISE, MEDIUM CURRENT

# D-PHEMT Transistor

SAV-331+

Mini-Circuits

**ELECTRICAL SPECIFICATIONS AT  $T_{AMB}=25^{\circ}\text{C}$ , FREQUENCY 10 TO 4000 MHZ**

Symbol	Parameter	Condition	Min.	Typ.	Max.	Units
<b>DC Specifications</b>						
$V_{GS}$	Operational Gate Voltage	$V_{DS}=4\text{V}, I_{DS}=60\text{ mA}$	-0.96	-0.69	-0.51	V
$V_p$	Pinch-off Voltage	$V_{DS}=1.5\text{ V}, I_{DS}=10\% \text{ of } I_{DSS}$		-0.81		V
$I_{DSS}$	Saturated Drain Current	$V_{DS}=4\text{V}, V_{GS}=0\text{ V}$		228		$\mu\text{A}$
$G_M$	Transconductance	$V_{DS}=4\text{V}, G_m=\Delta I_{DS}/\Delta V_p$	—	282	—	mS
$I_{GDO}$	Gate to Drain Leakage Current	$V_{GD}=5\text{V}$			1000	$\mu\text{A}$
$I_{GSS}$	Gate leakage Current	$V_{GD}=V_{GS}=-4\text{V}$			600	$\mu\text{A}$
<b>Specifications, <math>Z_0=50\text{ Ohms}</math> (Figure 1)*</b>						
NF	Noise Figure	$V_{DS}=4\text{V}, I_{DS}=60\text{ mA}$		0.9		dB
				0.5		
				0.4	0.8	
				0.5		
				0.9		
Gain	Gain	$V_{DS}=4\text{V}, I_{DS}=60\text{ mA}$		24.6		dB
				24.1		
			13.9	21.3	18.3	
				16.6		
				11.5		
OIP3	Output IP3	$V_{DS}=4\text{V}, I_{DS}=60\text{ mA}$		30.9		dBm
				32.3		
				33.5		
				35.5		
				38.7		
P1dB	Power output at 1 dB Compression	$V_{DS}=4\text{V}, I_{DS}=60\text{ mA}$		19.1		dBm
				19.6		
			18.0	20.2		
			18.9	21.1		
				21.8		
$\Theta_{JC}$	Thermal Resistance			109		$^{\circ}\text{C}/\text{W}$

\* Tested on Mini-Circuits TB-471+ test board

**MAXIMUM RATINGS<sup>(1)</sup>**

Symbol	Parameter	Max.	Units
$V_{DS}$	Drain-Source Voltage <sup>2</sup>	5	V
$V_{GS}$	Gate-Source Voltage <sup>2</sup>	-5	V
$V_{GD}$	Gate-Drain Voltage <sup>2</sup>	-5	V
$I_{DS}$	Drain Current <sup>2</sup>	149	mA
$P_{DISS}$	Total Dissipated Power	400	mW
$P_{IN}$	RF Input Power	20	dBm
$T_{CH}$	Channel Temperature	150	$^{\circ}\text{C}$
$T_{OP}$	Operating Temperature	-40 to 85	$^{\circ}\text{C}$
$T_{STD}$	Storage Temperature	-65 to 150	$^{\circ}\text{C}$

(1) Operation of this device above any one of these parameters may cause permanent damage.

(2) Assumes DC quiescent conditions,  $V_{GS} = -0.51\text{ V}$ ,  $V_{DS} = 4\text{ V}$ .





### CHARACTERIZATION TEST CIRCUIT

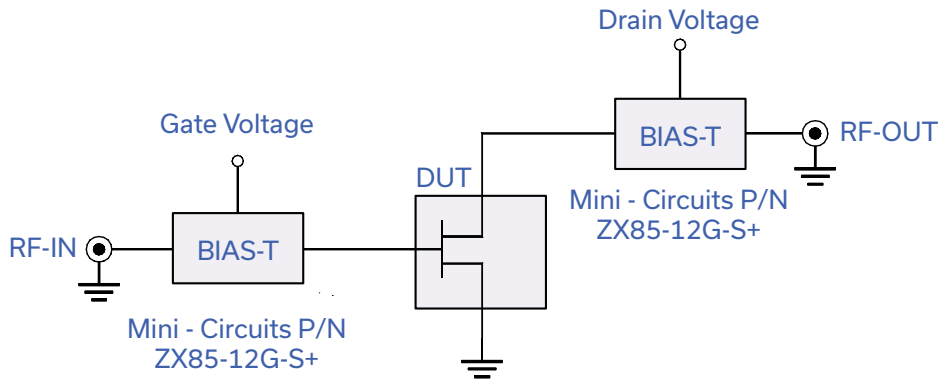


Fig 1. Block Diagram of Test Circuit used for characterization. (DUT soldered on Mini-Circuits Test Board TB-471+)

Gain, Output power at 1dB compression (P1 dB) and output IP3 (OIP3) are measured using R&S Network Analyzer ZVA-24. Noise Figure measured using keysight PNA-X.

Conditions:

1. Drain voltage (with reference to source,  $V_{DS}$ ) = 4V as shown.
2. Gate Voltage (with reference to source,  $V_{GS}$ ) is set to obtain desired Drain-Source current ( $I_{DS}$ ) as shown in graphs or specification table.
3. Gain:  $P_{in} = -25\text{dBm}$
4. Output IP3 (OIP3): Two tones, spaced 1 MHz apart, 0 dBm/tone at output.
5. No external matching components used.

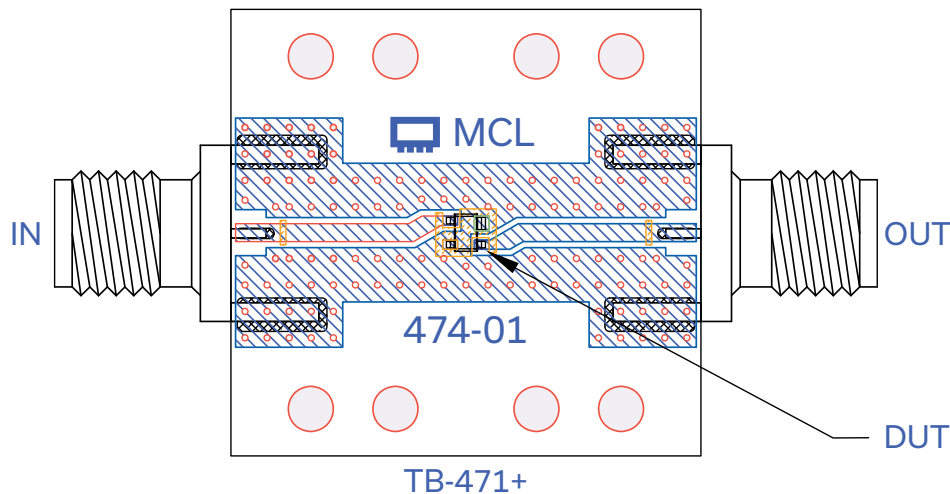
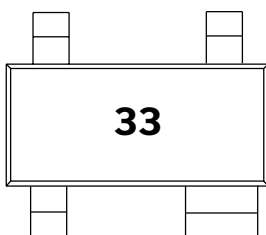


Fig 2. Test Board used for characterization, Mini-Circuits P/N TB-471+ (Material: Rogers 4350, Thickness: 0.02")

### PRODUCT MARKING





ULTRA LOW NOISE, MEDIUM CURRENT

# D-PHEMT Transistor

## SAV-331+

Mini-Circuits

ADDITIONAL DETAILED TECHNICAL INFORMATION IS AVAILABLE ON OUR DASH BOARD. TO ACCESS [CLICK HERE](#)

Performance Data	Data Table
	Swept Graphs
	S-Parameter (S2P Files) Data Set (.zip file)
Case Style	MMM1362 Plastic molded SOT-343 (SC-70) style package, lead finish: matte-tin
Tape & Reel Standard quantities available on reel	F90 7" reels with 20, 50, 100, 200, 500,1K,2K or 3K devices
Suggested Layout for PCB Design	PL-300
Evaluation Board	TB-471+
Environmental Ratings	ENV08T2

### ESD RATING

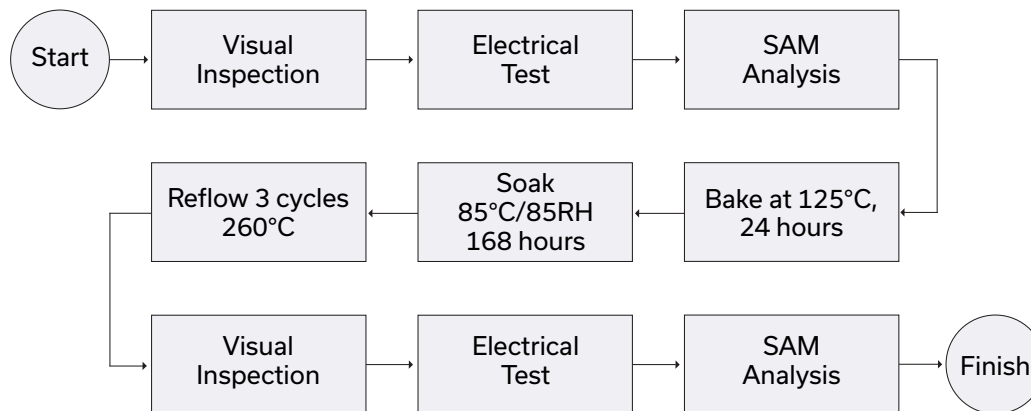
Human Body Model (HBM): Class 0 (<250V) in accordance with ANSI/ESD STM 5.1 - 2001

Machine Model (MM): Class M1 (40 V) in accordance with ANSI/ESD STM 5.2 - 1999

### MSL RATING

Moisture Sensitivity: MSL1 in accordance with IPC/JEDEC J-STD-020D

### MSL TEST FLOW CHART



- NOTES**
- A. Performance and quality attributes and conditions not expressly stated in this specification document are intended to be excluded and do not form a part of this specification document.
  - B. Electrical specifications and performance data contained in this specification document are based on Mini-Circuit's applicable established test performance criteria and measurement instructions.
  - C. The parts covered by this specification document are subject to Mini-Circuits standard limited warranty and terms and conditions (collectively, "Standard Terms"); Purchasers of this part are entitled to the rights and benefits contained therein. For a full statement of the standard. Terms and the exclusive rights and remedies thereunder, please visit Mini-Circuits' website at [www.minicircuits.com/MCLStore/terms.jsp](http://www.minicircuits.com/MCLStore/terms.jsp)

