

THIS DRAWING IS UNPUBLISHED.

RELEASED FOR PUBLICATION

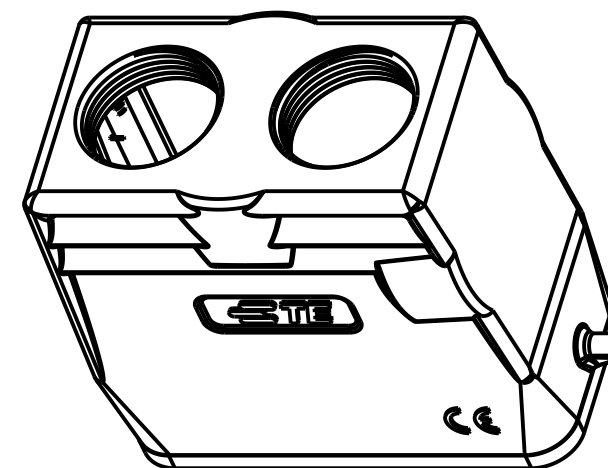
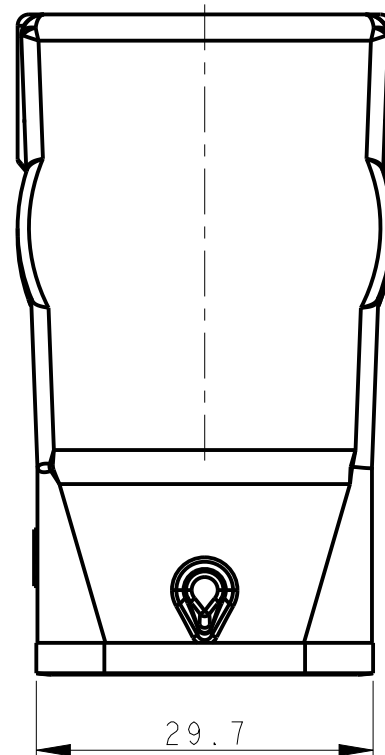
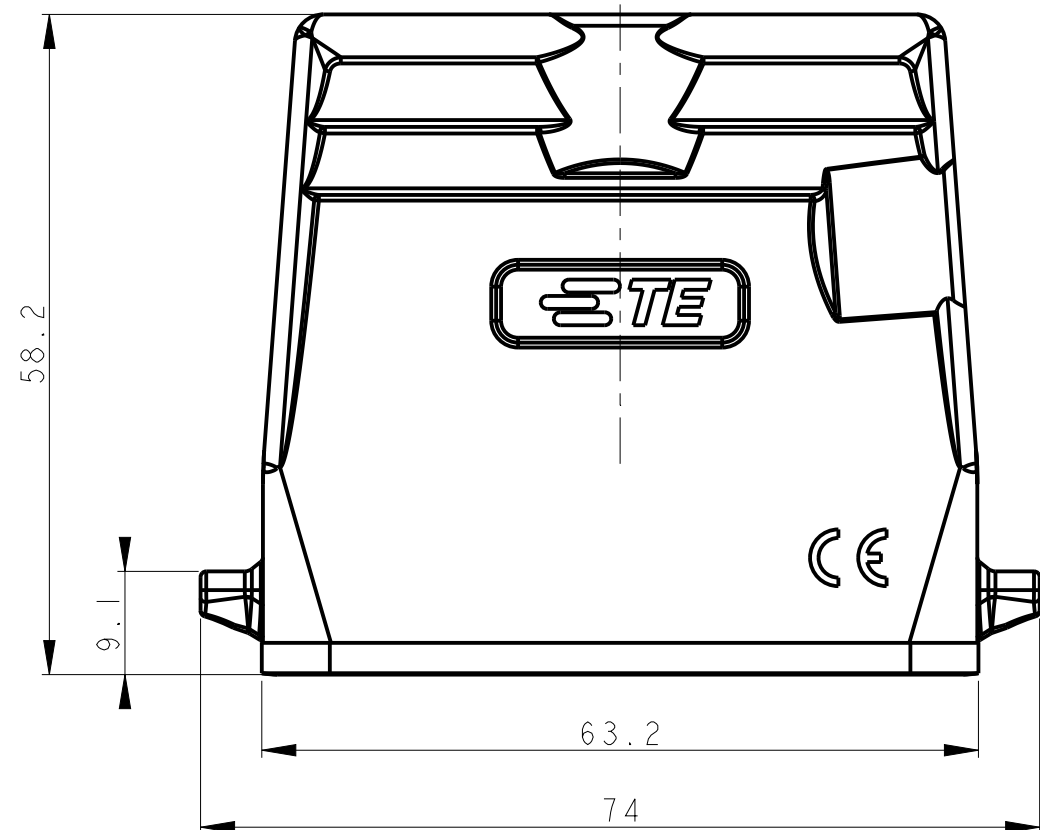
20

© COPYRIGHT 20 BY -

ALL RIGHTS RESERVED.

REVISIONS

P	LTR	DESCRIPTION	DATE	DWN	APVD
	A	INITIAL RELEASE	05MAY2015	DL	CW
	B	ECR-20-008424	14DEC2020	BS	CW



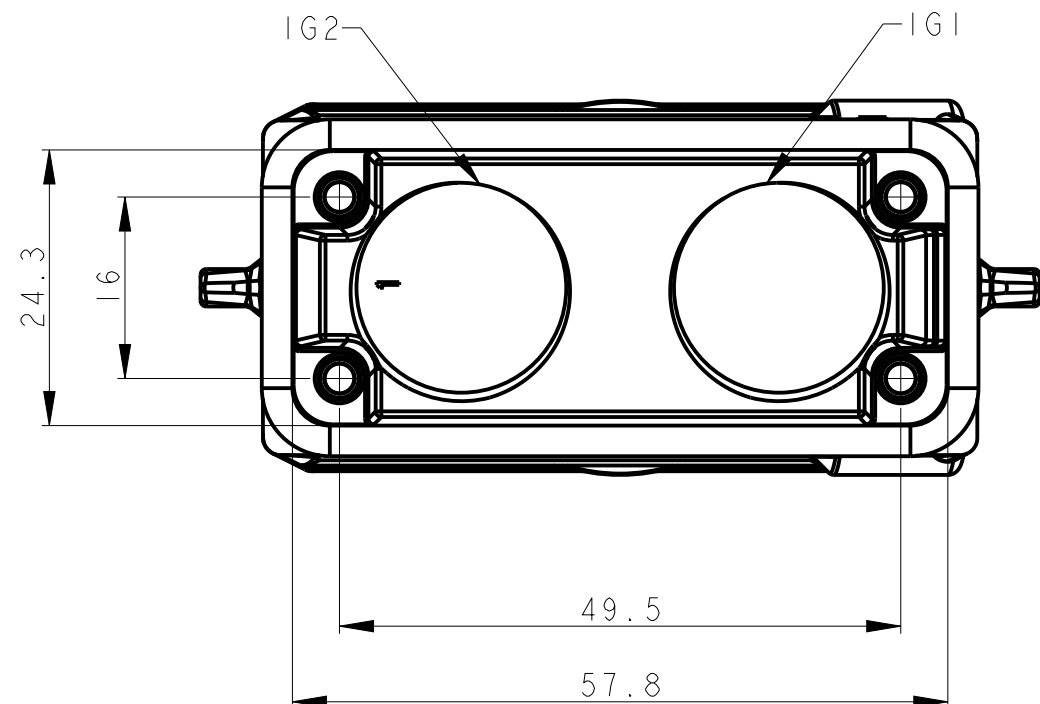
SCALE 1:1

NOTES:

- 1. TECHNICAL CHARACTERISTICS:
 BODY MATERIAL: DIE CAST ALUMINIUM ALLOY
 SURFACE TREATMENT: POWDER-COATED, GRAY
 DEGREE OF PROTECTION: IP65 (MATED)

注释:

- 1. 技术参数:
 主体材料: 铝合金
 表面处理: 粉末喷涂, 灰色
 防护等级: IP65(配合)



T1329100220-000	H10A-TG-2M20	M20	M20
ASSEMBLY PART NUMBER	ASSEMBLY PART DESCRIPTION	IG1	IG2

THIS DRAWING IS A CONTROLLED DOCUMENT.		DWN DAVID LI 22APR2015	STE TE Connectivity	
DIMENSIONS: mm		CHK CHRIS WANG 22APR2015		
TOLERANCES UNLESS OTHERWISE SPECIFIED:		APVD XU XIANG 22APR2015	NAME H10A-TG-2M20	
0 PLC ±-		PRODUCT SPEC 108-137010	SIZE	
1 PLC ±-		APPLICATION SPEC 114-137010	CAGE CODE	
2 PLC ±-		WEIGHT	DRAWING NO	
3 PLC ±-		Customer Drawing	RESTRICTED TO	
4 PLC ±-			SCALE 3:2	
ANGLES ±-			SHEET 1 OF 1	
FINISH			REV B	