

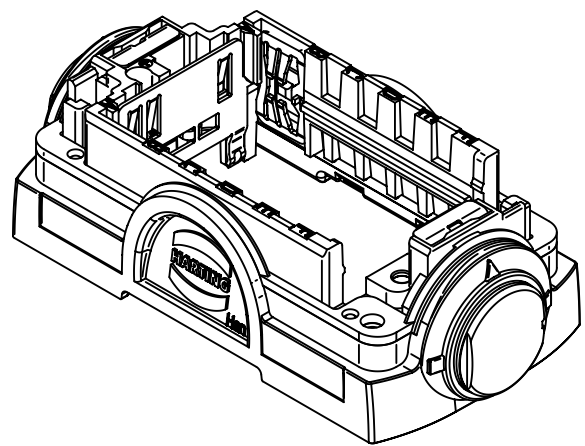
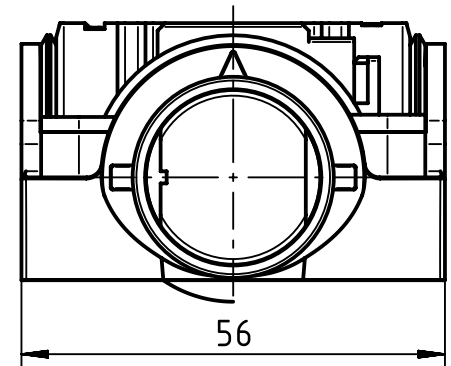
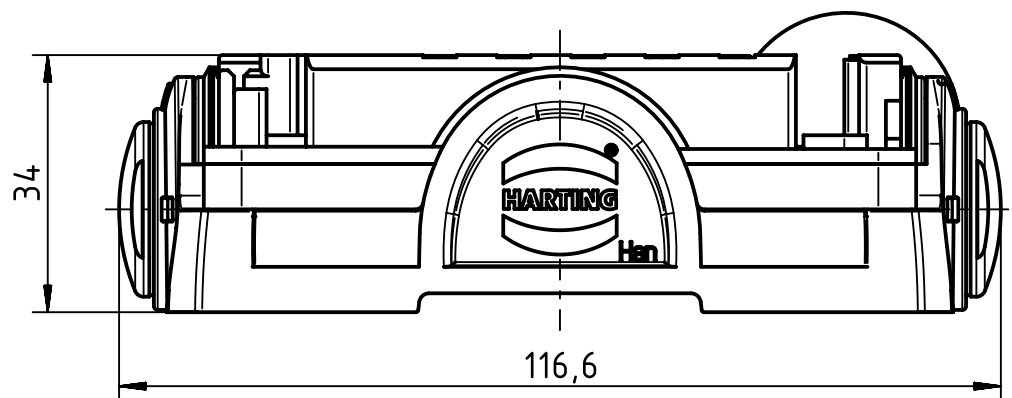
1 2 3 4 5 6

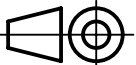

A

B

C

D



 All Dimensions in mm Original Size DIN A4	Scale	Free size tol.			Ref.
	1:1				Sub.
 All rights reserved Department EL PD - DE	Created by	Inspected by	Standardisation	Date	State
	FINKEV	NICHTERLEIN	TIEMANNA	2016-07-01	Final Release
HARTING Electric GmbH & Co. KG D-32339 Espelkamp	Title				Doc-Key / ECM-Nr. 100540336/UGD/005/B 500000106111
	Type	Number			
	TB	11 13 600 0100			Rev. B
					Page 1/1