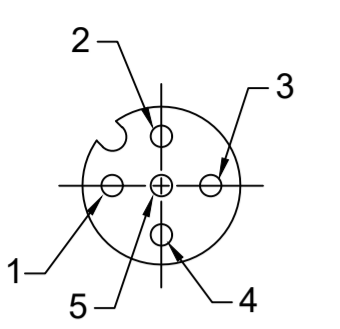
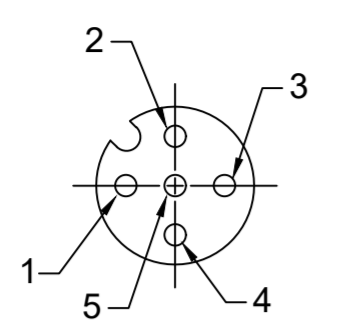
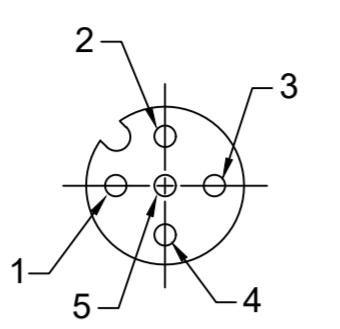


FACE VIEW - FEMALE INSERT

3 POLE	4 POLE	5 POLE
		
1 BROWN 2 NOT USED 3 BLUE 4 BLACK 5 NOT USED	1 BROWN 2 WHITE 3 BLUE 4 BLACK 5 NOT USED	1 BROWN 2 WHITE 3 BLUE 4 BLACK 5 GRAY

- NOTES:**
- MATERIAL: AS NOTED
 - FINISH: AS NOTED
 - ELECTRICAL:
VOLTAGE: 250V
CURRENT: 4A
 - TEMP RATING: -20° TO +105°C (B)
 - PROTECTION: IP67 (WHEN MATED)
 - COUPLING THREAD: M12X1
 - UL RECOGNIZED FILE: E152210
CSA CERTIFIED FILE: LR6837
 - ALL DIMENSIONS ARE FOR REFERENCE
UNLESS TOLERANCED OR NOTED OTHERWISE

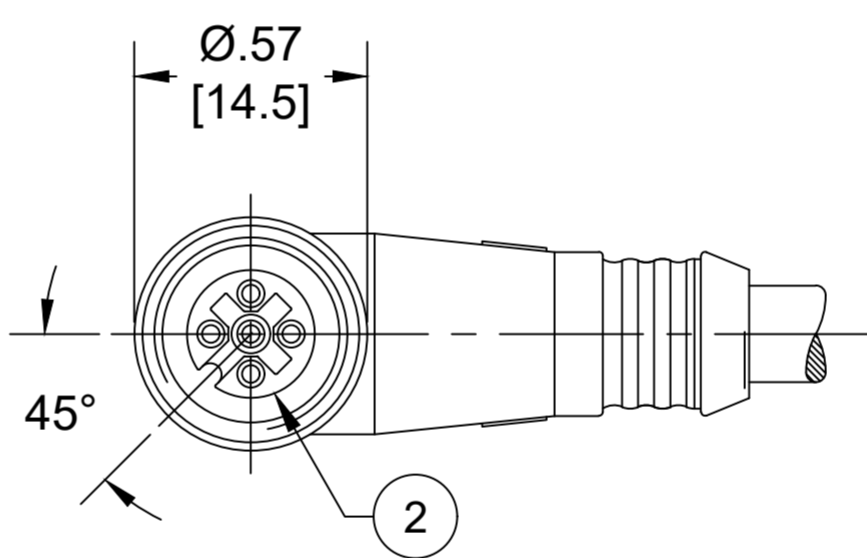
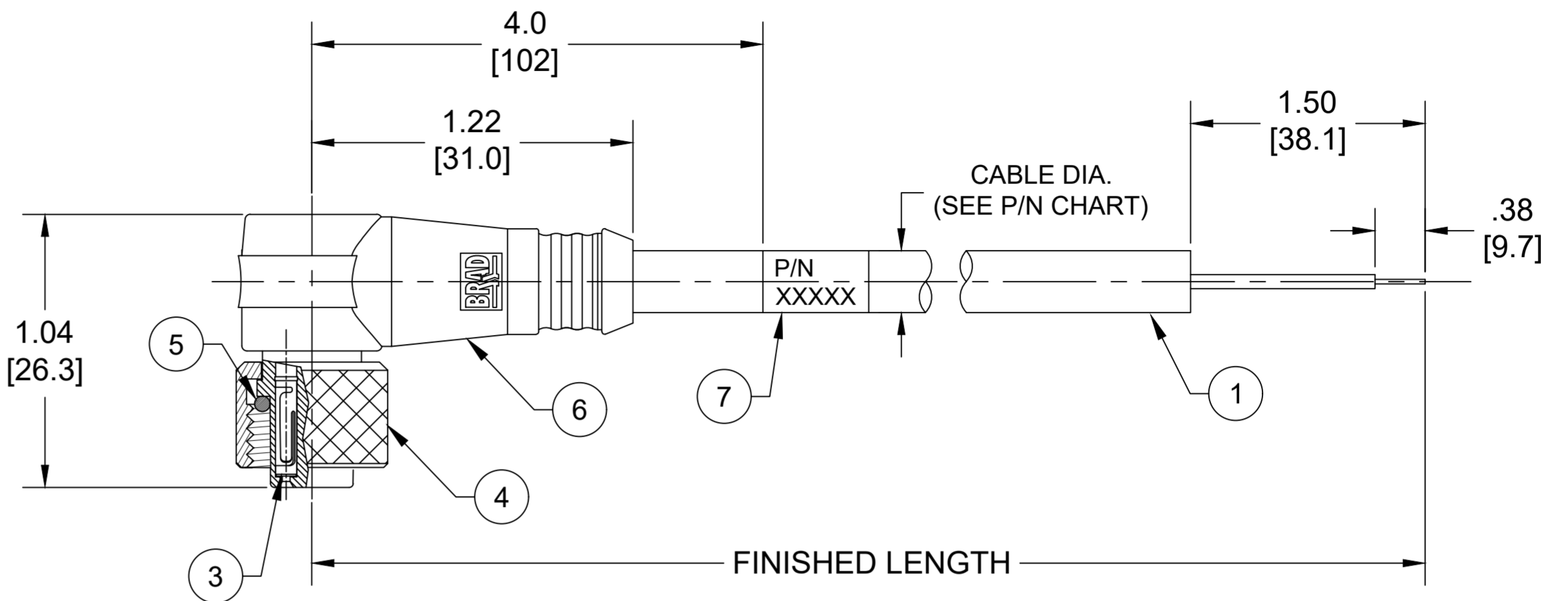
CABLE FLEX CHARACTERISTICS

TORSIONAL FLEX TEST	10 MILLION CYCLES PER MIL-C-13777G
BEND FLEX TEST	10 MILLION CYCLES PER MIL-C-13777G
WELD SLAG RESISTANCE	WOODHEAD STANDARD S-300

ITEM	DESCRIPTION	MATERIAL	FINISH
7	WRAP LABEL	VINYL	BLACK/YELLOW
6	OVERMOLD	TPC	YELLOW
5	O-RING	VITON	RED
4	COUPLING NUT	BRASS	NICKEL PLATED
3	CONTACT SOCKET	COPPER ALLOY	GOLD OVER NICKEL
2	FEMALE INSERT	PUR	BLACK
1	#22 AWG CABLE	TPE JACKET	YELLOW

DOCUMENT STATUS	P1	RELEASE DATE	2021/07/28 23:37:19
-----------------	----	--------------	---------------------

PART NO	ENGINEERING NO.	FINISHED LENGTH	POLES	CABLE DIA.
1200651489	803001K05M020	2M [6FT 7 IN]	3	.20 [5.1]
1200651995	804001K05M250	25M [82FT]	4	.21 [5.3]
1200652460	805001K05M300	30M [98FT 5 IN]	5	.23 [5.8]



PART NO. MATRIX
803001K05M010

POLES (3, 4 & 5)
FINISHED LENGTH
M005 = 0.5 METER
M010 = 1 METER
M100 = 10 METER

CABLE LENGTH TOLERANCES

<.3M [1FT]:	+19mm-0 [+ .75in-0]
.3 - .9M [1 - 3FT]:	+44.5mm-0 [+1.75in-0]
.9 - 1.8M [3 - 6FT]:	+55.6mm-0 [+2.19in-0]
1.8 - 3.7M [6 - 12FT]:	+88.9mm-0 [+3.50in-0]
3.7 - 7.3M [12 - 24FT]:	+165.1mm-0 [+6.50in-0]
7.3-14.6M [24 - 48FT]:	+317.5mm-0 [+12.50in-0]
14.6 - 30.5M [48-100FT]:	+622.3mm-0 [+24.50in-0]
OVER 30M [100FT]	+2% OF FINISHED LENGTH

FUNCTIONAL SYMBOLS FA=0 FC=0 FP=0	DIMENSION UNITS	SCALE	CURRENT REV DESC: ITEM #6 WAS TPE. MODIFIED TEMP RATING & PN CHART.	
	INCH/MM	NTS		
	GENERAL TOLERANCES (UNLESS SPECIFIED)			
		mm	INCH	
DIVISIONAL SYMBOLS	4 PLACES	±----	±----	EC NO: 671333
	3 PLACES	±----	±----	DRWN: ABENJAMINLW 2021/04/27
	2 PLACES	±----	±----	CHK'D: RSTONE 2021/07/23
	1 PLACE	±----	±----	APPR: BWOODMAN 2021/07/28
	0 PLACES	±----	±----	INITIAL REVISION:
	ANGULAR TOL ± ---- °			DRWN: RSTONE 2018/10/25
	DRAFT WHERE APPLICABLE MUST REMAIN WITHIN DIMENSIONS			APPR: BWOODMAN 2018/11/30
	THIRD ANGLE PROJECTION	DRAWING	SERIES	DOCUMENT NUMBER
		C-SIZE	120065	SD-120065-113
				DOC TYPE/DOC PART/REVISION
				PSD 001 B
				PRODUCT CUSTOMER DRAWING
				MATERIAL NUMBER
				SEE CHART
				CUSTOMER
				GENERAL MARKET
				SHEET NUMBER
				1 OF 1