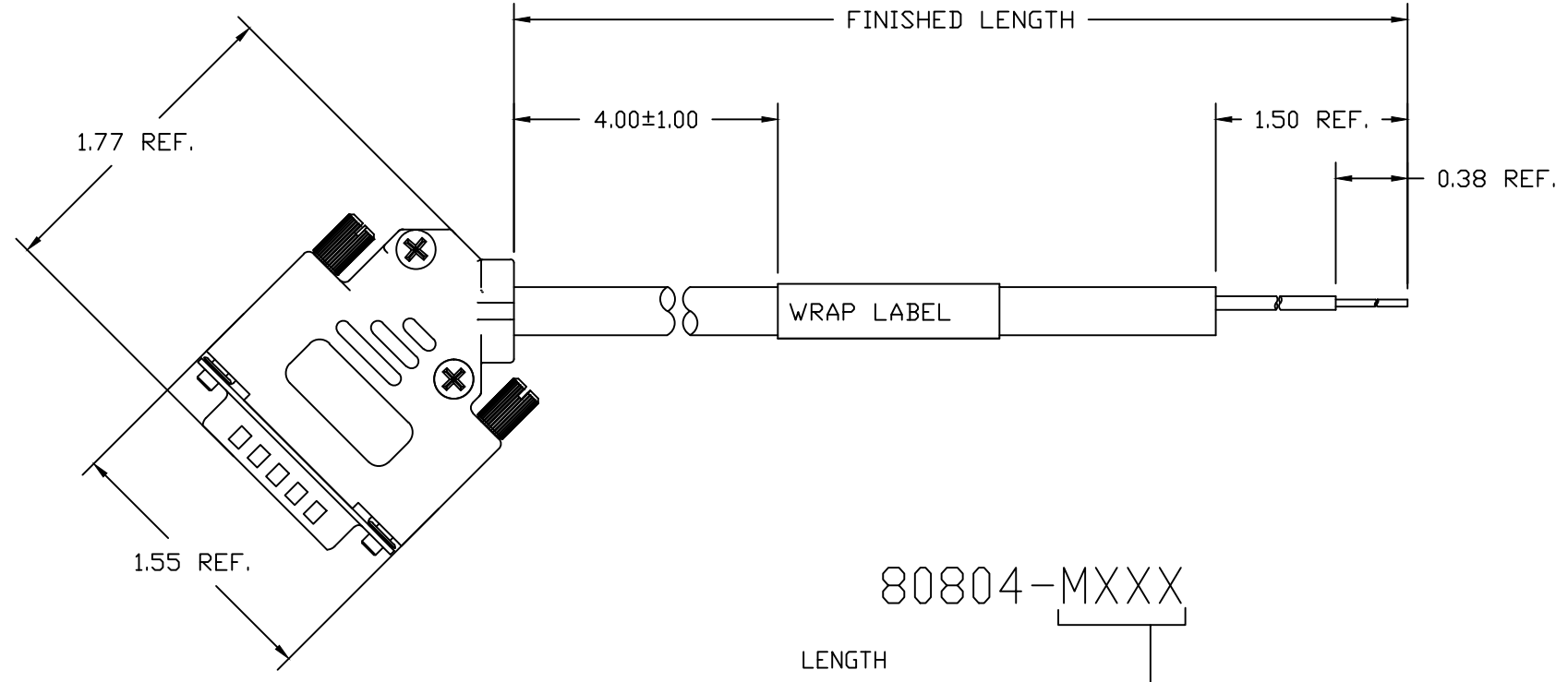


PART NUMBER	ENGINEERING NUMBER	FINISH LENGTH
1200690299	80804-M350	114.84' +24.5'-0 [35M +0.62 -0]

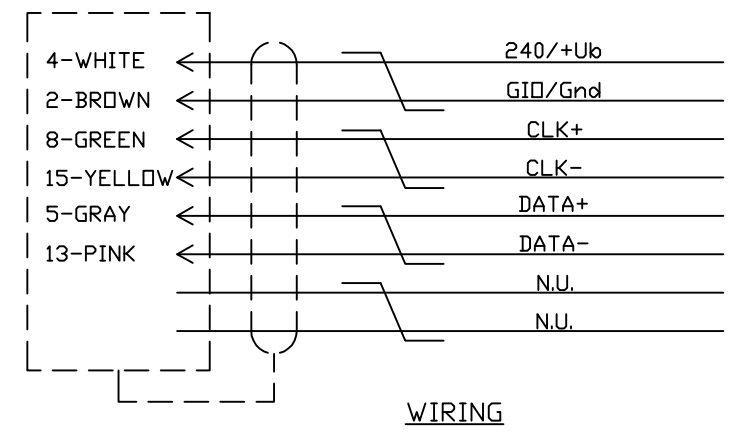
- 2-BROWN
- 4-WHITE
- 5-GRAY
- 8-GREEN
- 13-PINK
- 15-YELLOW



CUSTOMER PRODUCTION APPROVAL
 APPROVED BY: _____
 DATE: _____
 MUST BE SIGNED AND RETURNED BEFORE
 PRODUCTION WILL BEGIN.

SALES DRAWING

- M010 - 1M
- M050 - 5M
- M200 - 20M



NOTES:

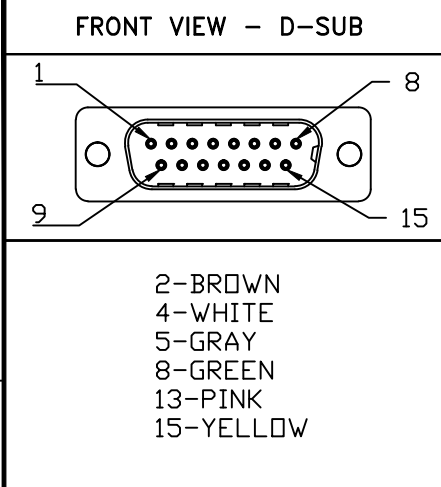
MECHANICAL
D-SUB FACE
 SHELLS: TIN/CADMIUM/ZINC PLATED STEEL
 INSULATOR: SELF EXTINGUISHING THERMOPLASTIC TO UL CLASS 94
 CONTACT: Ø 0.1 MM. COPPER ALLOY, GXT/GOLD OVER NICKEL PLATING
 SUPPLIER: FCI PART NUMBER DAP15P065TXLF

D-SUB OUTER SHELL
 MATERIAL: ZINC DIE-CAST, NICKEL PLATED
 STRAIN RELIEF: POLYCARBONATE (UL94V-0)
 SUPPLIER: FCI PART NUMBER 8655MHRA1501LF

CABLE
 TYPE: 24 AWG 4 PAIR CONDUCTORS CP (TP) GRAY PUR JACKET
 WRAP LABEL: MARKED WITH P/N, DATE CODE, VOLTAGE & AMPERAGE

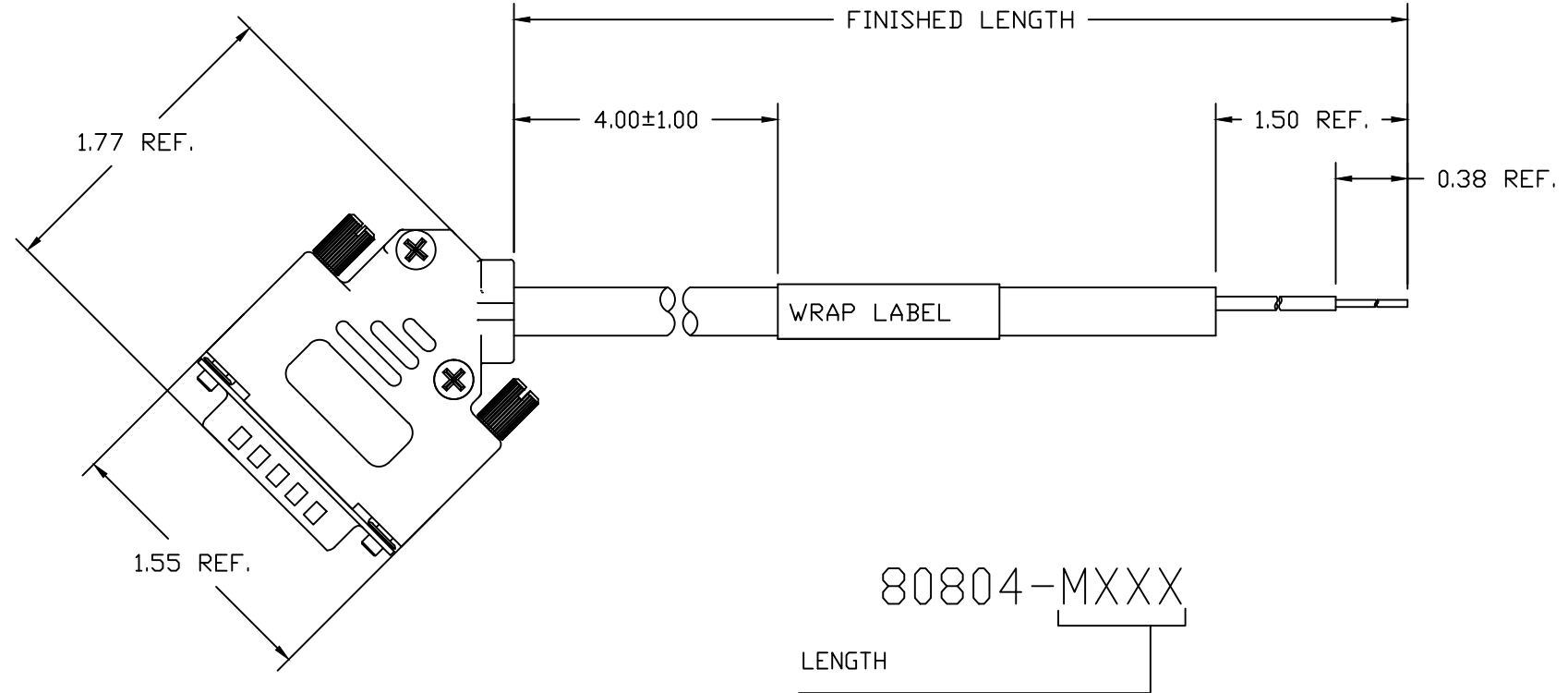
ELECTRICAL
FACE
 OPERATING TEMP.: -20°C TO +70°C
 VOLTAGE: 30V
 AMPERAGE: 2A

INITIAL RELEASE EC NO: SCRNOVICH DRWN: BARDEN 2013/07/23 CHKD: BWOODMAN APPR: BWOODMAN 2013/09/19	DESCRIPTION REV	QUALITY SYMBOLS ▽=0 ∇=0	GENERAL TOLERANCES (UNLESS SPECIFIED)		DIMENSION STYLE INCH ONLY		SCALE NTS	DESIGN UNITS INCH	THIRD ANGLE PROJECTION			
				mm	INCH	DRAWN BY	DATE	TITLE				
			4 PLACES	±---	±---	BARDEN	2013/02/25	D-SUB ASSEMBLY 15P 45D 24/4P PUR SHIELDED MOLEX INCORPORATED				
			3 PLACES	±---	±.005	CHECKED BY	DATE					
2 PLACES	±0.13	±.010	BWOODMAN	2013/07/29	MOLEX INCORPORATED SD-120069-026 1 OF 1							
1 PLACE	±0.25	±.020	APPROVED BY	DATE								
ANGULAR ±.5°			DRAFT WHERE APPLICABLE MUST REMAIN WITHIN DIMENSIONS		SEE CHART		MATERIAL NO.		DOCUMENT NO.			
SIZE B			THIS DRAWING CONTAINS INFORMATION THAT IS PROPRIETARY TO MOLEX INCORPORATED AND SHOULD NOT BE USED WITHOUT WRITTEN PERMISSION									



2-BROWN
4-WHITE
5-GRAY
8-GREEN
13-PINK
15-YELLOW

PART NUMBER	ENGINEERING NUMBER	FINISH LENGTH
1200690299	80804-M350	114.84' +24.5'-0 [35M +0.62 -0]



CUSTOMER PRODUCTION APPROVAL
APPROVED BY: _____
DATE: _____
MUST BE SIGNED AND RETURNED BEFORE
PRODUCTION WILL BEGIN.

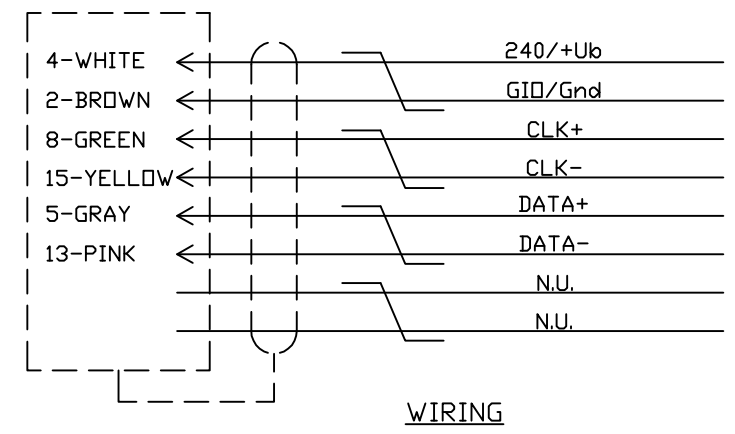
SALES DRAWING

NOTES:

MECHANICAL
D-SUB FACE
SHELLS: TIN/CADMIUM/ZINC PLATED STEEL
INSULATOR: SELF EXTINGUISHING THERMOPLASTIC TO UL CLASS 94
CONTACT: Ø 0.1 MM. COPPER ALLOY, GXT/GOLD OVER NICKEL PLATING
SUPPLIER: FCI PART NUMBER DAP15P065TXLF
D-SUB OUTER SHELL
MATERIAL: ZINC DIE-CAST, NICKEL PLATED
STRAIN RELIEF: POLYCARBONATE (UL94V-0)
SUPPLIER: FCI PART NUMBER 8655MHRA1501LF
CABLE
TYPE: 24 AWG 4 PAIR CONDUCTORS CP (TP) GRAY PUR JACKET
WRAP LABEL: MARKED WITH P/N, DATE CODE, VOLTAGE & AMPERAGE

ELECTRICAL
FACE
OPERATING TEMP.: -20°C TO +70°C
VOLTAGE: 30V
AMPERAGE: 2A

M010 - 1M
M050 - 5M
M200 - 20M



INITIAL RELEASE EC NO: SCRNOVICH DRWN: BARDEN 2013/07/23 CHKD: BWOODMAN APPR: BWOODMAN 2013/09/19 REV A	QUALITY SYMBOLS ▽=0 ∇=0	GENERAL TOLERANCES (UNLESS SPECIFIED)		DIMENSION STYLE INCH ONLY		SCALE NTS	DESIGN UNITS INCH	THIRD ANGLE PROJECTION		
		4 PLACES	±---	±---	DRAWN BY	DATE	TITLE			
		3 PLACES	±---	±.005	BARDEN	2013/02/25	D-SUB ASSEMBLY 15P 45D 24/4P PUR SHIELDED MOLEX INCORPORATED			
		2 PLACES	±0.13	±.010	BWOODMAN	2013/07/29				
1 PLACE	±0.25	±.020	BWOODMAN	2013/09/19	MATERIAL NO. SEE CHART		DOCUMENT NO. SD-120069-026		SHEET NO. 1 OF 1	
DRAFT WHERE APPLICABLE MUST REMAIN WITHIN DIMENSIONS		THIS DRAWING CONTAINS INFORMATION THAT IS PROPRIETARY TO MOLEX INCORPORATED AND SHOULD NOT BE USED WITHOUT WRITTEN PERMISSION								