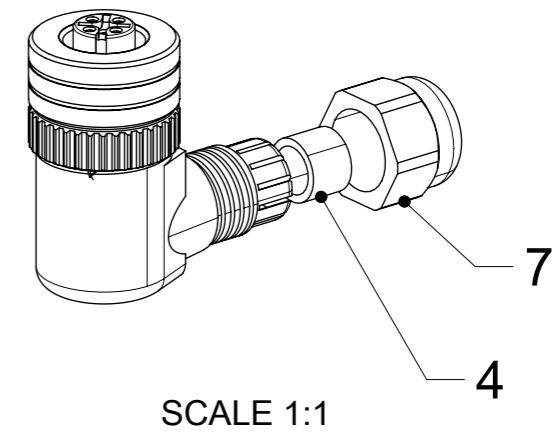
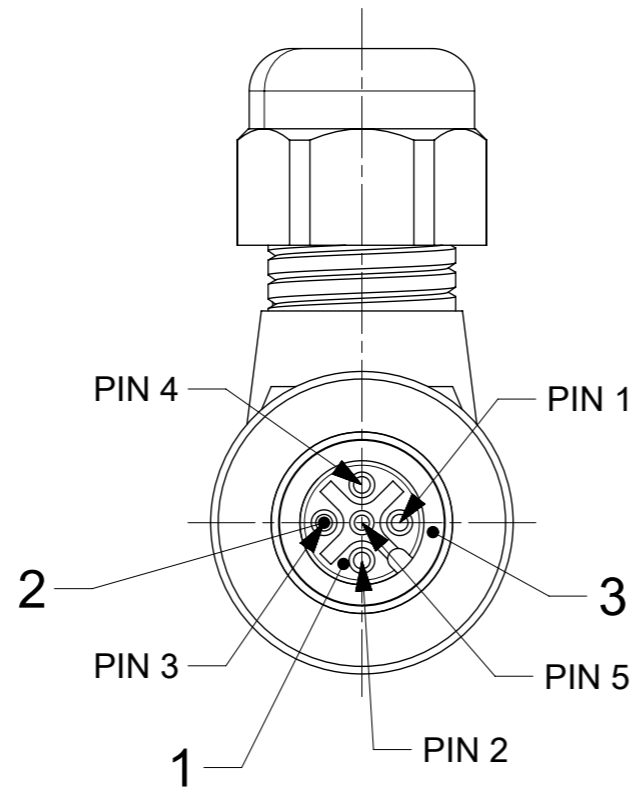
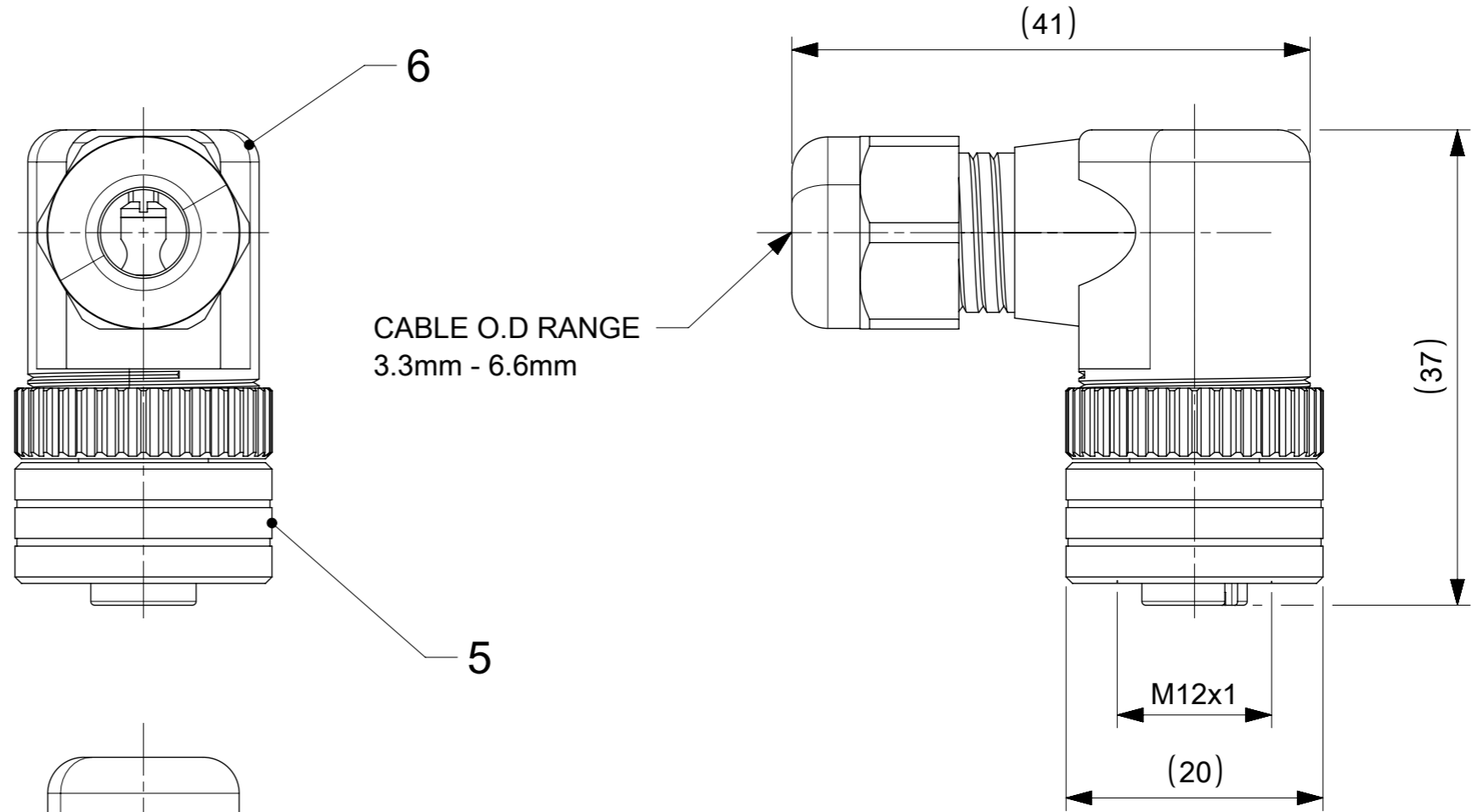


NOTES :

VOLTAGE RATING : 250V AC/ 300V DC
 AMPERAGE RATING : 4 AMPS
 PROTECTION : IP67
 OPERATING TEMP : -25°C TO +90°C
 CSA CERTIFACTIONS : CSA CERTIFIED ,
 FILE No. LR6837

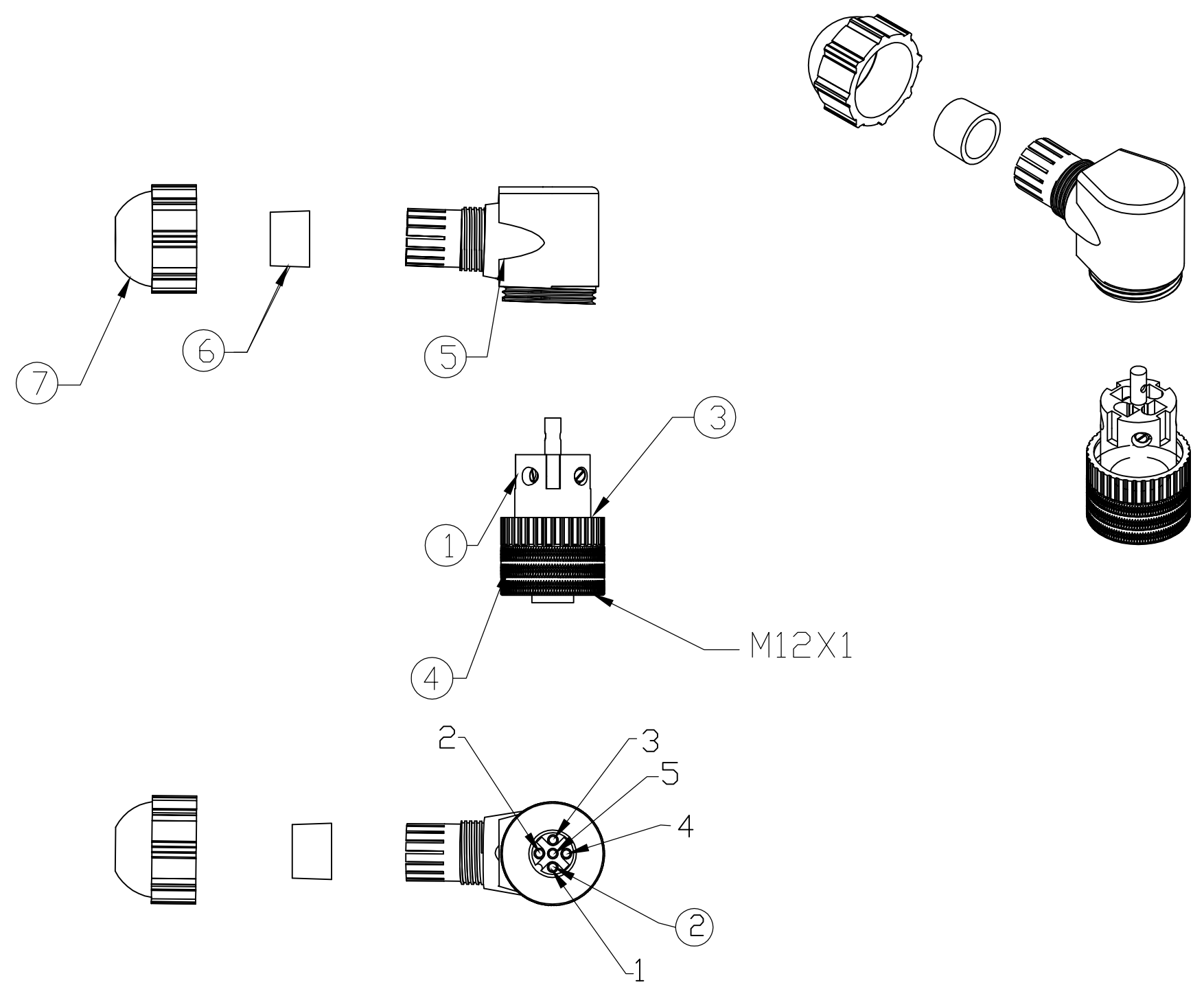
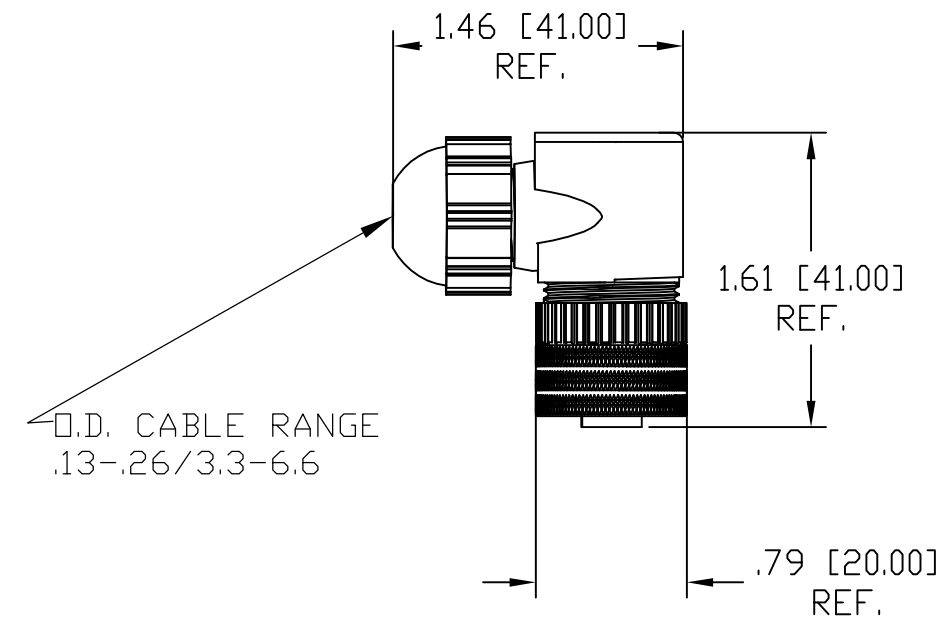


ITEM	QTY.	DESCRIPTION	MATERIAL	COLOR/FINISH
1	1	INSERT	PA	BLACK
2	5	CONTACTS	COPPER ALLOY	SILVER PLATED
3	1	O-RING	NITRILE	BLACK
4	1	GROMMET	CR/NBR	BLACK
5	1	COUPLING NUT	BRASS	Ni-PLATED
6	-	OVERMOULD	PA	BLACK
7	1	HUT NUT	PA	BLACK

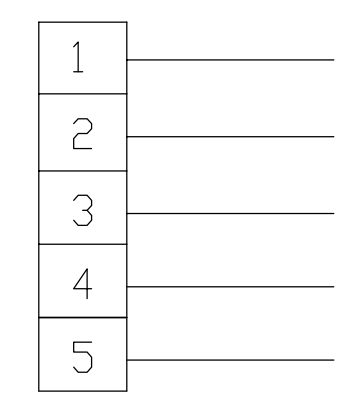
DOCUMENT STATUS	P1	RELEASE DATE	2021/04/06	07:46:59
-----------------	----	--------------	------------	----------

FUNCTIONAL SYMBOLS		THIS DRAWING CONTAINS INFORMATION THAT IS PROPRIETARY TO MOLEX ELECTRONIC TECHNOLOGIES, LLC AND SHOULD NOT BE USED WITHOUT WRITTEN PERMISSION		CURRENT REV DESC:		ENG No. 8A5001-31 	
▽/A = 0	mm	SCALE	2:1	EC NO: 659361		FA M12 5P FE RA PG7	
▽/E = 0	GENERAL TOLERANCES (UNLESS SPECIFIED)			DRWN: SSM		2021/03/22	
▽/V = 0	ANGULAR TOL ± 0.5°			CHK'D: RSILLER		2021/04/06	
DIVISIONAL SYMBOLS		4 PLACES ±		APPR: RSILLER		2021/04/06	
		3 PLACES ±		INITIAL REVISION:		DOCUMENT NUMBER	
		2 PLACES ± 0.05		DRWN: SSM		1200710044	
		1 PLACE ± 0.1		APPR: RSILLER		PSD 000 A	
		0 PLACES ± 0.5		2021/03/22		REVISION	
DRAFT WHERE APPLICABLE MUST REMAIN WITHIN DIMENSIONS		THIRD ANGLE PROJECTION		DRAWING		MATERIAL NUMBER	
				A3-SIZE		120071	
		SERIES		CUSTOMER		SHEET NUMBER	
		120071		GENERAL MARKET		1 OF 1	

MATERIAL NUMBER	ENGINEERING NUMBER
1200710044	8A5001-31



FEMALE FACE VIEW



WIRING CHART

VOLTAGE RATING	30VAC/36VDC
AMPERAGE RATING	4 AMPS
PROTECTION	IP67
OPERATING TEMPERATURE	-25°C TO 90°C
CSA CERTIFICATIONS	CSA CERTIFIED, FILE NO. LR6837

ITEM		COMPONENT	MATERIAL	FINISH
1	1	INSERT	POLYAMIDE	BLACK
2	5	CONTACTS	COPPER ALLOY	SILVER PLATED
3	1	O-RING	NITRILE	BLACK
4	1	COUPLING NUT	BRASS	NICKEL PLATED
5	1	MOLDED BODY	POLYAMIDE	BLACK
6	1	GROMMET	NITRILE	BLACK
7	1	CORD GRIP BODY	POLYAMIDE	BLACK

RELEASE EC NO: WEU2010-0045 DRWN: TWOLDEGE 8/18/09 CH'KD: BWOODMAN APPR: JFMURPHY 2009/08/21	DESCRIPTION REV A	QUALITY SYMBOL	GENERAL TOLERANCES (UNLESS SPECIFIED)	DIMENSION STYLE	SCALE	DESIGN UNITS	THIRD ANGLE PROJECTION	
		$\nabla=0$ $\sphericalangle=0$	4 PLACES ±--- 3 PLACES ±--- 2 PLACES ±--- 1 PLACE ±0.3	mm INCH ±--- ±--- ±--- ±--- ±--- ±.01 ±--- ±---	DRAWN BY DATE TWOLDEGE 2009/08/18 CHECKED BY DATE BWOODMAN 2009/08/18 APPROVED BY DATE	TITLE MIC 5P FEMALE ATTACH 90D .13-.26 O.D. CABLE RANGE PG7 CABLE FITTING	MOLEX MOLEX INCORPORATED	SHEET NO. 1 OF 1
		DRAFT WHERE APPLICABLE MUST REMAIN WITHIN DIMENSIONS	MATERIAL NO. 1200710044	DOCUMENT NO. SD-120071-010	THIS DRAWING CONTAINS INFORMATION THAT IS PROPRIETARY TO MOLEX INCORPORATED AND SHOULD NOT BE USED WITHOUT WRITTEN PERMISSION			
		SIZE C						