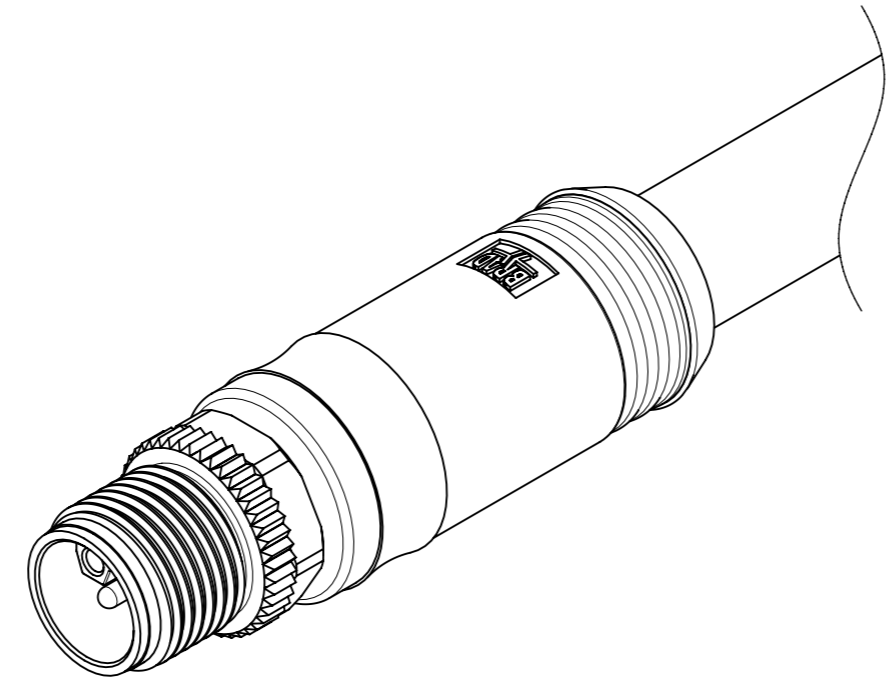
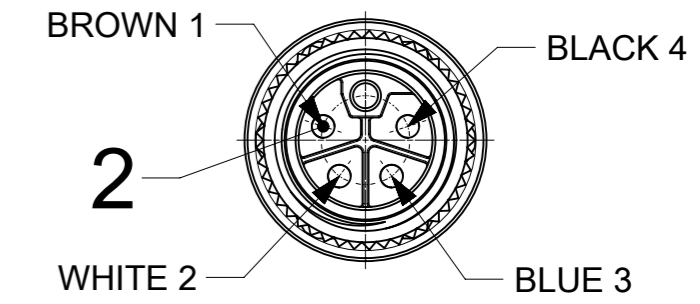


MATING SIDE



NOTES:

RATED VOLTAGE: MAX. 63V AC/DC  
 RATED CURRENT: MAX. 16A at 40°C (derating has to be considered)  
 IP RATING: IP67 (mated and locked condition)  
 TEMPERATURE RANGE: -25°C TO +85°C

CABLE PRINTING (sequence as shown below):  
 - MOLEX engineering no. (see page 2)  
 - MOLEX material no. (see page 2)  
 - MOLEX MAX. 63V AC/DC MAX. 16 A USR  
 - MOLEX AND DATE OF MANUFACTURING (YY=YEAR; WW=WEEK): MXYWW  
 - Not for current interrupting  
 - PROFINET 24V Power 4x2,5

PART ACCORDING PRODUCT SPEC: 1205010169  
 PACKAGING ACCORDING PACKAGING SPEC: 1201202000

TABLE 1

POS	DESCRIPTION	MATERIAL	FINISH
1	NUT M12 MA	BRASS	Ni
2	CONTACT 15 MA	BRASS	Au
3	INSERT	PA	BLACK
4	OVERMOLD	TPE	BLACK
5	CABLE 4x2.5 D10.1 WSOR	PUR	BLACK
OPTIONAL 6	ID CARRIER	-	-

FUNCTIONAL SYMBOLS $\nabla_A = 0$ $\nabla_E = 0$ $\nabla_{E'} = 0$	THIS DRAWING CONTAINS INFORMATION THAT IS PROPRIETARY TO MOLEX ELECTRONIC TECHNOLOGIES, LLC AND SHOULD NOT BE USED WITHOUT WRITTEN PERMISSION	SCALE 2:1		 CSE M12 4P LC MA STR WSOR BK XM UNSH PRODUCT CUSTOMER DRAWING				
	GENERAL TOLERANCES (UNLESS SPECIFIED)	EC NO: 735577						CURRENT REV DESC: UPDATED ATTRIBUTE TO GENERAL MARKET IN ECTR
	DIVISIONAL SYMBOLS	ANGULAR TOL ± 1.0°	4 PLACES ±	3 PLACES ±	2 PLACES ± 0.05	1 PLACE ± 0.3	0 PLACES ± 0.5	EC NO: 735577 DRWN: NIKHIS3 2023/01/12 CHK'D: RSILLER 2023/01/19 APPR: RSILLER 2023/01/19 INITIAL REVISION: DRWN: FDAFERNER 2020/05/13 APPR: RSILLER 2021/10/05
DRAFT WHERE APPLICABLE MUST REMAIN WITHIN DIMENSIONS		THIRD ANGLE PROJECTION	DRAWING	SERIES	MATERIAL NUMBER	CUSTOMER	SHEET NUMBER	
			A3-SIZE	120500	SEE TABLE 2	GENERAL MARKET	1 OF 2	

# ENGINEERING NO - NUMERICAL CODE (Available parts see PART LIST table. Other parts available upon request).

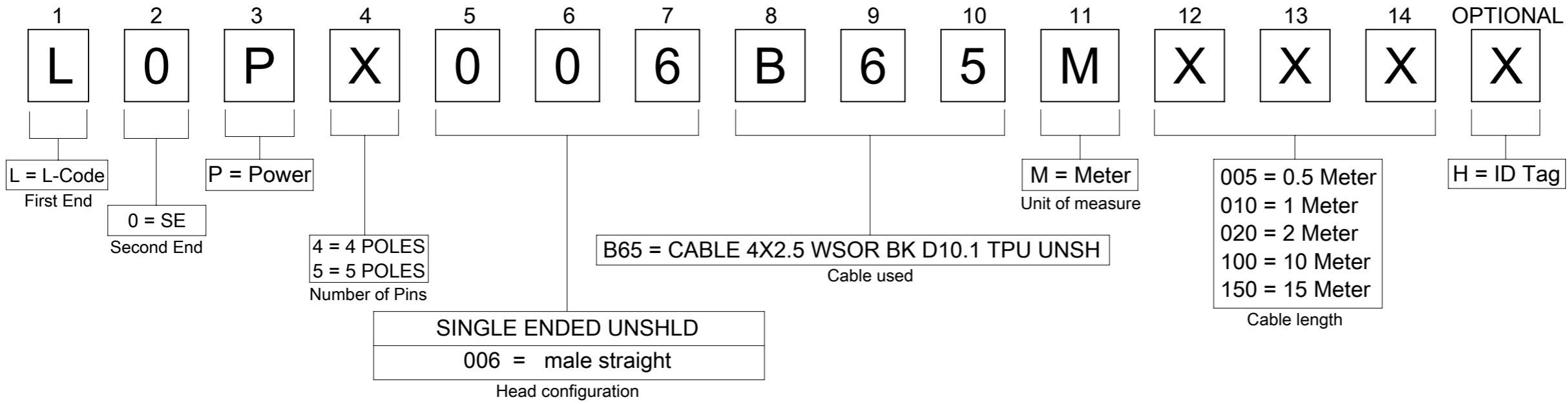

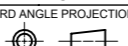


TABLE 2

NOMINAL SECTION 2,5mm <sup>2</sup>			
MATERIAL NO.	ENGINEERING NO.	L [mm]	TOLERANCE [mm]
1205000242	L0P4006B65M010	1000	+40
1205000243	L0P4006B65M020	2000	+60
1205000244	L0P4006B65M030	3000	+60
1205000245	L0P4006B65M050	5000	+60
1205000246	L0P4006B65M100	10000	+80
1205000247	L0P4006B65M150	15000	+140
1205000248	L0P4006B65M200	20000	+140

FUNCTIONAL SYMBOLS	THIS DRAWING CONTAINS INFORMATION THAT IS PROPRIETARY TO MOLEX ELECTRONIC TECHNOLOGIES, LLC AND SHOULD NOT BE USED WITHOUT WRITTEN PERMISSION		
	DIMENSION UNITS <b>mm</b>	SCALE <b>1:1</b>	CURRENT REV DESC: UPDATED ATTRIBUTE TO GENERAL MARKET IN ECTR
DIVISIONAL SYMBOLS	GENERAL TOLERANCES (UNLESS SPECIFIED)		  CSE M12 4P LC MA STR WSOR BK XM UNSH  PRODUCT CUSTOMER DRAWING
	ANGULAR TOL	± 1.0 °	
	4 PLACES	±	
	3 PLACES	±	
	2 PLACES	± 0.05	
1 PLACE	± 0.3	EC NO: 735577 DRWN: NIKHIS3 CHK'D: RSILLER APPR: RSILLER	
0 PLACES	± 0.5	INITIAL REVISION: DRWN: FDAFERNER APPR: RSILLER	
DRAFT WHERE APPLICABLE MUST REMAIN WITHIN DIMENSIONS		THIRD ANGLE PROJECTION 	DRAWING <b>A3-SIZE</b>
		SERIES <b>120500</b>	MATERIAL NUMBER SEE TABLE 2
		CUSTOMER GENERAL MARKET	DOCUMENT NUMBER <b>1205000242</b>
		SHEET NUMBER 2 OF 2	DOC TYPE PSD
			DOC PART 000
			REVISION A1