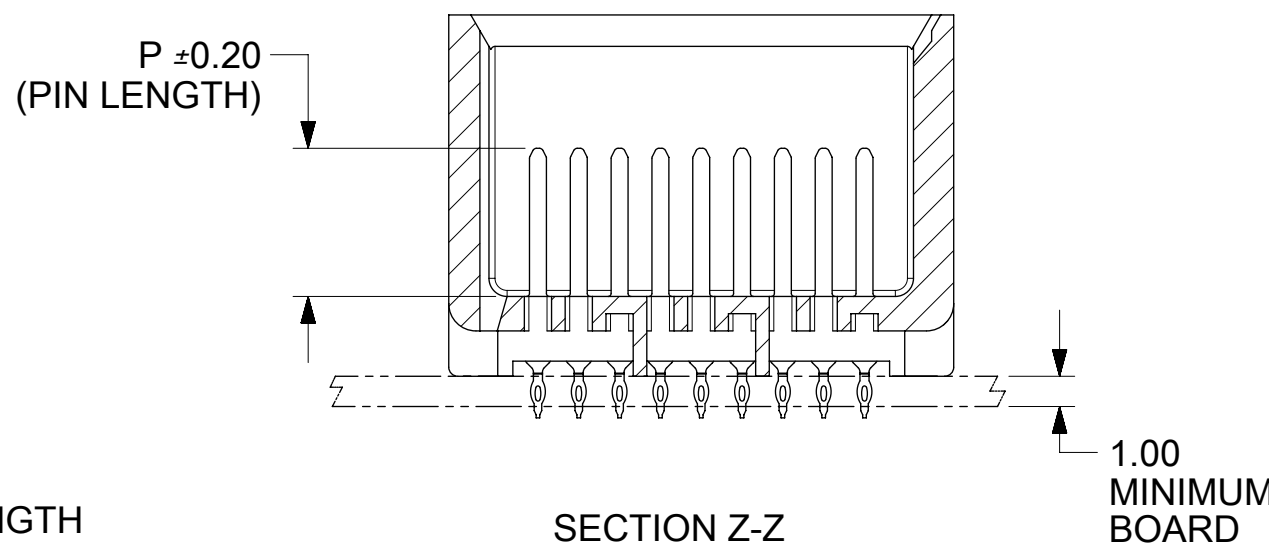
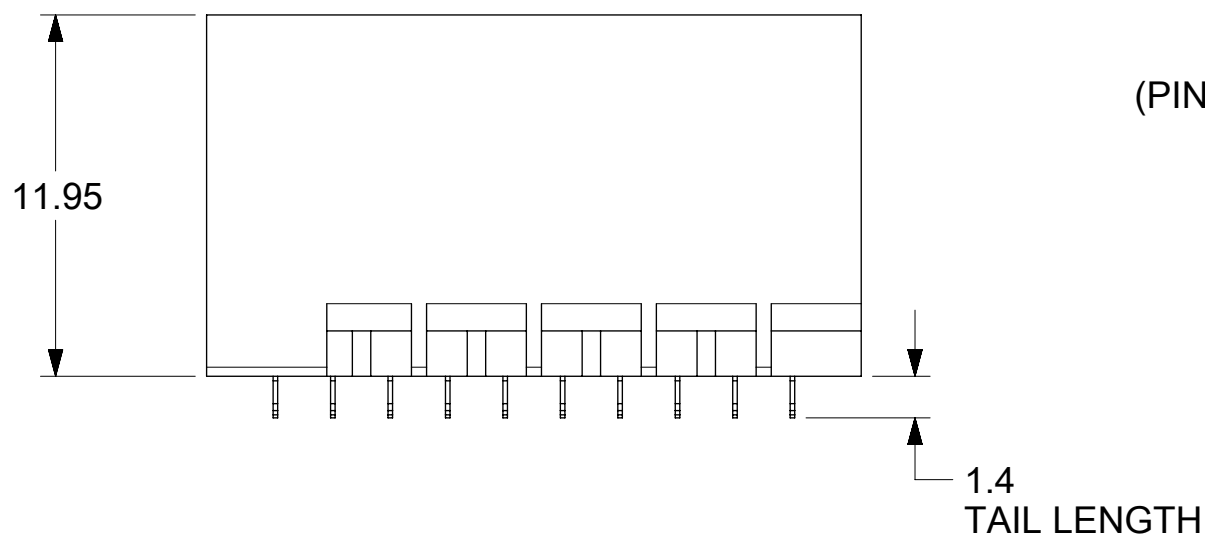
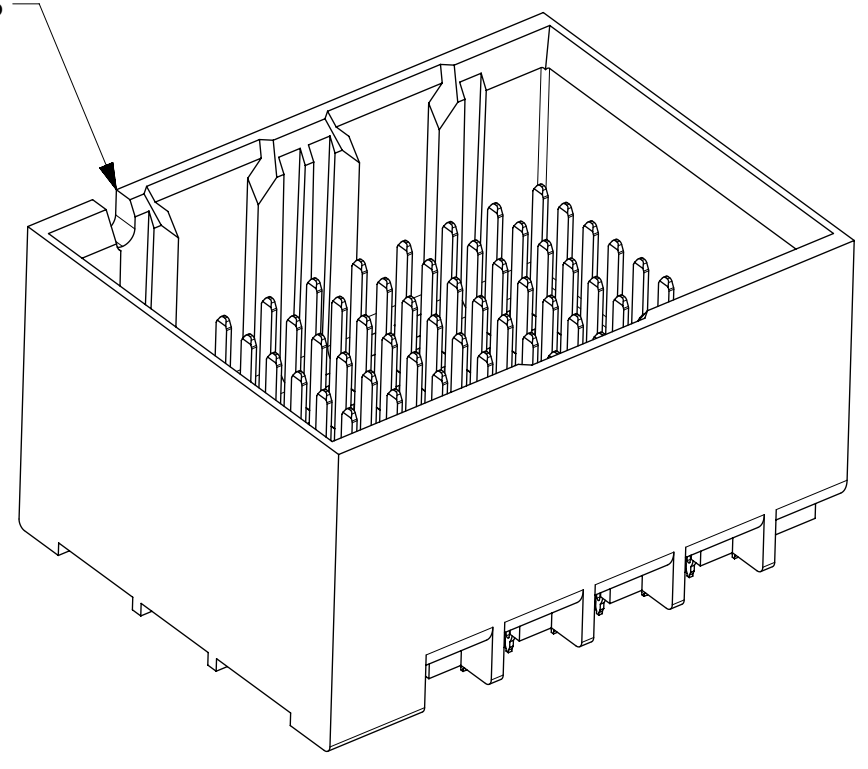


SEE PART NUMBER CHART AND PART NUMBER LOGIC (9 HOLES PER COLUMN)

UNGUIDED BACKPLANE HOLE PATTERN (CONNECTOR SIDE) SEE NOTE 9



NOTCH DESIGNATES ROW A



- NOTES:**
1. MATERIALS: HOUSING - LIQUID CRYSTAL POLYMER (LCP) GLASS-FILLED, UL94V-0
TERMINALS - HIGH PERFORMANCE COPPER ALLOY
 2. FINISH: 10 μINCH MIN GOLD IN CONTACT AREA.
SELECTIVE MATE TIN ON PCB TAILS, NICKEL OVERALL.
 3. REFER TO MOLEX PRODUCT SPECIFICATION PS-76060-999 FOR PERFORMANCE SPECIFICATIONS AND ADDITIONAL PCB INFORMATION.
 4. THIS PART CONFORMS TO CLASS B REQUIREMENTS OF MOLEX COSMETIC SPEC PS-45499-002.
 5. PARTS PACKAGED PER PK-70873-7700.
 6. SEE SHEETS 2 & 3 FOR PART NUMBERS AND BOARD RELATIONSHIPS.
 7. MATES WITH IMPACT DC SERIES NO. 76170.
 8. REFER TO MOLEX PCB ROUTING GUIDE AS-76060-990 FOR ANTIPAD AND ROUTING RECOMMENDATIONS.
 9. "THESE DIMENSIONS REPRESENT THE AREA NEEDED TO ACCOMMODATE CONNECTOR INSERTION AND REPAIR ON THE PC BOARD. THIS IS REFERRED TO AS THE "CONNECTOR KEEP OUT ZONE" AND DOES NOT REPRESENT THE ACTUAL PERIMETER OF THE CONNECTOR. WHEN LAYING OUT A PC BOARD FOR CONNECTORS STACKED TOGETHER. USE A 1.9mm PROGRESSION."

QUALITY SYMBOLS ▽ = 0 ▽ = 0 ▽ = 0 ▼ = 0 ▽ = 0 ⊠ = 0 ■ = 0 ▽ = 0	THIS DRAWING CONTAINS INFORMATION THAT IS PROPRIETARY TO MOLEX ELECTRONIC TECHNOLOGIES, LLC AND SHOULD NOT BE USED WITHOUT WRITTEN PERMISSION		GENERAL TOLERANCES (UNLESS SPECIFIED) ANGULAR TOL ± 0.5 °		DIMENSION UNITS mm	SCALE 4:1				
	EC NO: 123283 DRWN: KUCHILA CHKD: KUCHILA APPR: PRAMASWAMY	2017/10/13 2017/10/13 2017/10/18	4 PLACES ± 3 PLACES ± 2 PLACES ± 0.13 1 PLACE ± 0.25 0 PLACES ±	DRWN BY JBINGHAM	DATE 2011/11/16	CHKD BY JLAURX		DATE 2011/11/16	PRODUCT CUSTOMER DRAWING SERIES: 171292 MATERIAL NUMBER: SEE CHART CUSTOMER: GENERAL MARKET	
MIGRATED TO NX		DRAFT WHERE APPLICABLE MUST REMAIN WITHIN DIMENSIONS	DRAWING SIZE C	THIRD ANGLE PROJECTION	APPR BY JLAURX	DATE 2011/12/02	DOCUMENT NUMBER SD-171292-0001	DOC TYPE PSD		DOC PART 001

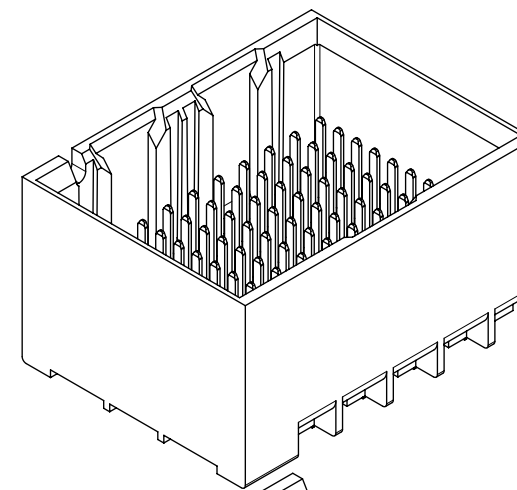
PART NUMBER CHART

MATERIAL NUMBER	# OF COLUMNS	# OF DIFF PAIR	DIM "A"	DIM "B"	DUAL END WALL OPTION
171292-132*	6	18	14.1	9.50	
171292-182*	8	24	17.9	13.30	
171292-112*	10	30	21.7	17.10	
171292-162*	16	48	33.1	28.50	

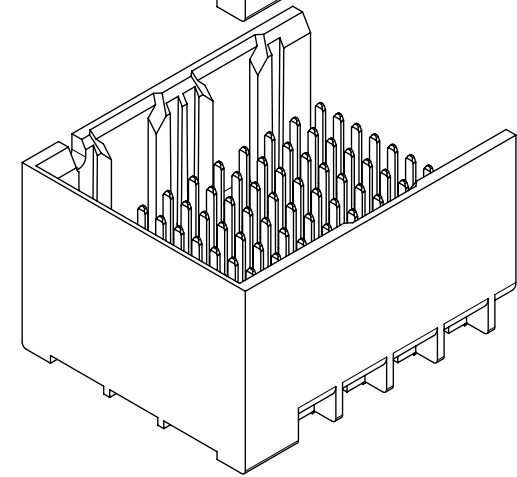
MATERIAL NUMBER	# OF COLUMNS	# OF DIFF PAIR	DIM "A"	DIM "B"	LEFT END WALL OPTION
171292-181*	8	24	16.5	13.30	
171292-111*	10	30	20.3	17.10	
171292-161*	16	48	31.7	28.50	

MATERIAL NUMBER	# OF COLUMNS	# OF DIFF PAIR	DIM "A"	DIM "B"	RIGHT END WALL OPTION
171292-183*	8	24	16.5	13.30	
171292-113*	10	30	20.3	17.10	
171292-163*	16	48	31.7	28.50	

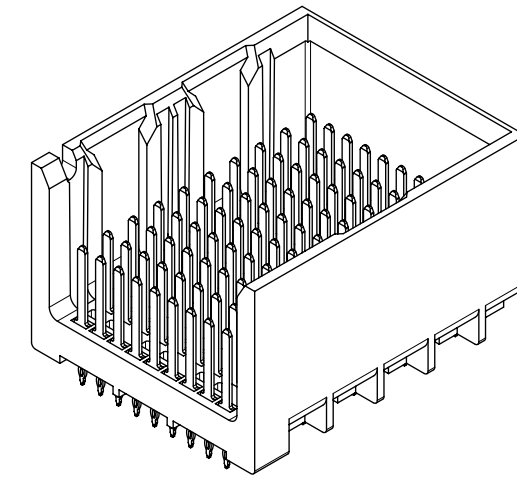
MATERIAL NUMBER	# OF COLUMNS	# OF DIFF PAIR	DIM "A"	DIM "B"	OPEN WALL OPTION
171292-180*	8	24	15.1	13.30	
171292-110*	10	30	18.9	17.10	
171292-160*	18	48	30.4	28.50	



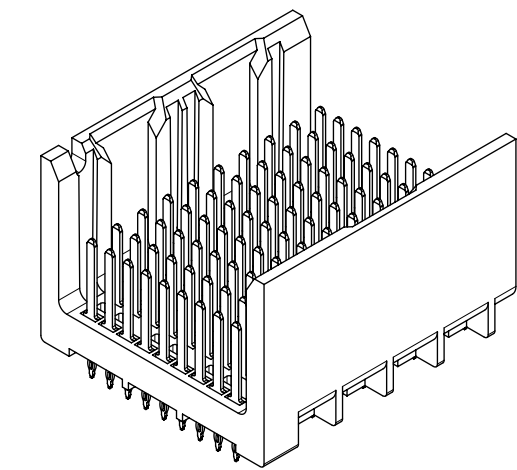
DUAL END
WALL OPTION



LEFT END
WALL OPTION



RIGHT END
WALL OPTION



OPEN
WALL OPTION

PART NUMBER LOGIC

171292- * * * *

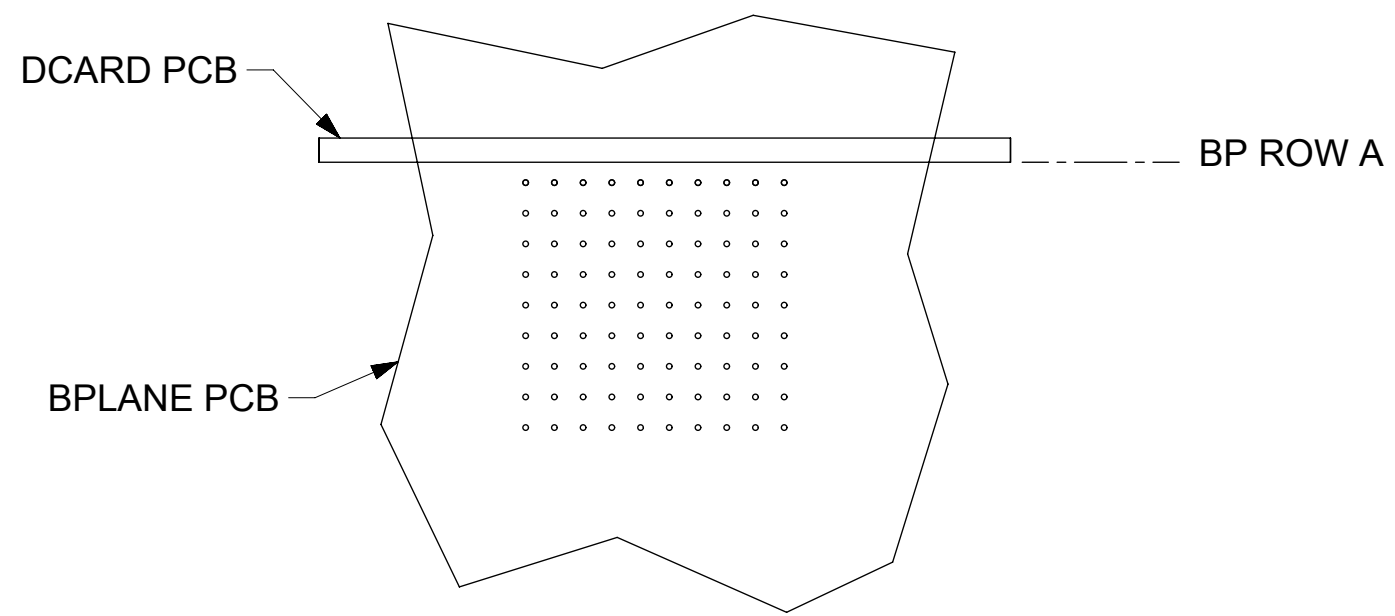
MODULE TYPE
1 = UNGUIDED, MATTE TIN

OF COLUMNS
1 = 10 COL
3 = 6 COL
6 = 16 COL
8 = 8 COL

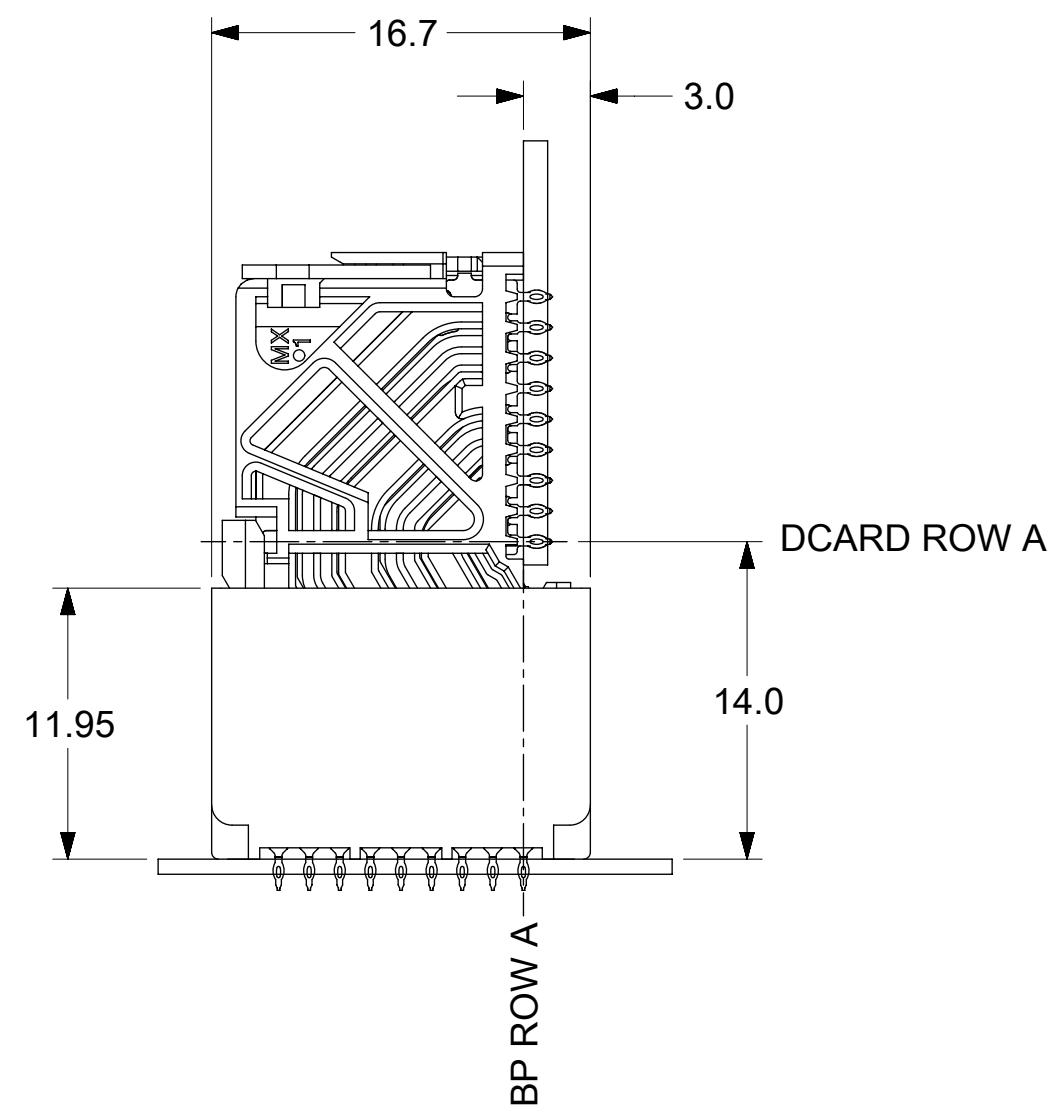
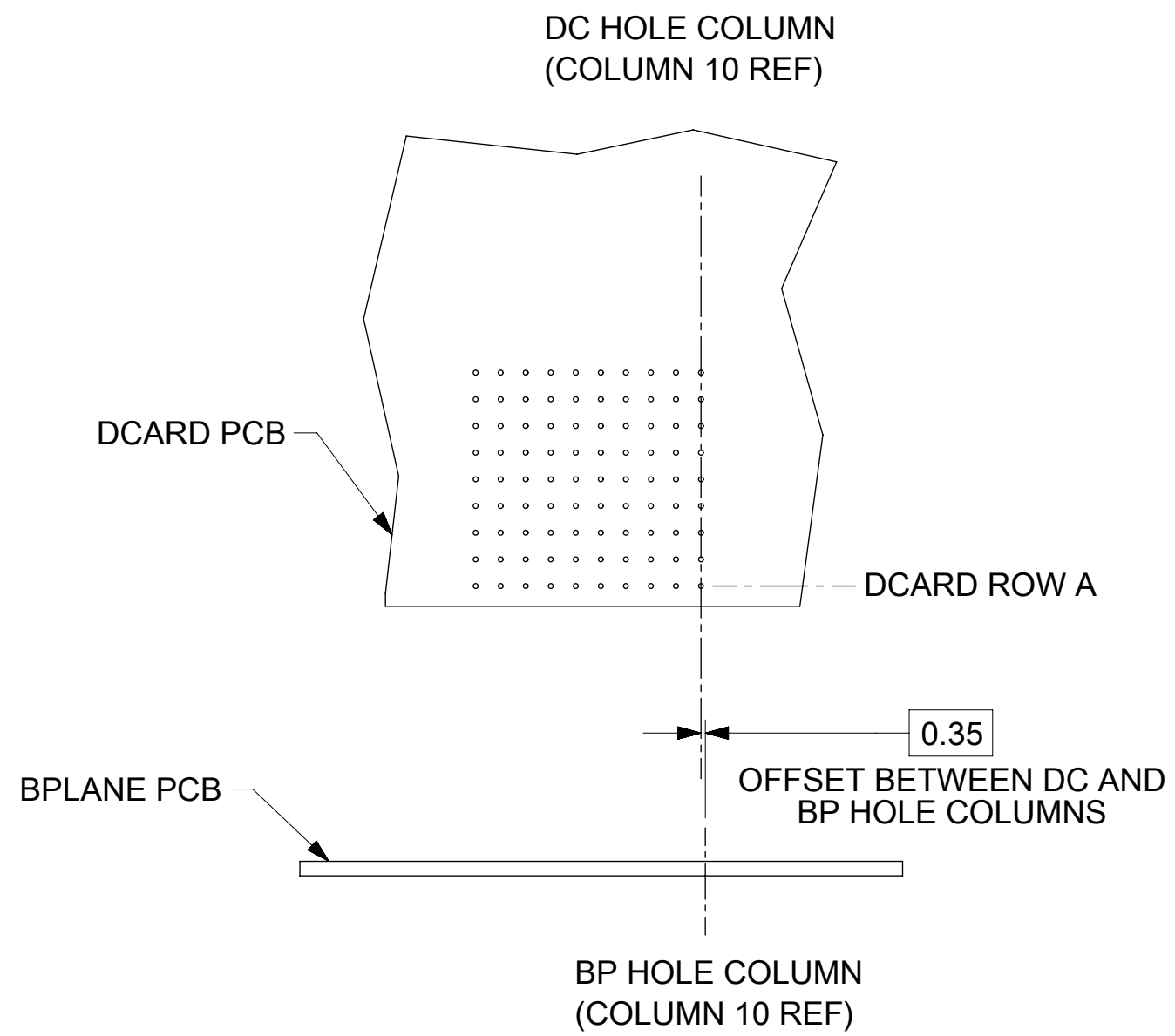
PIN LENGTH (P)
3 = 4.50 (SHORT COMPLIANT, 0.46±0.05 PTH)
4 = 4.90 (SHORT COMPLIANT, 0.46±0.05 PTH)
5 = 5.50 (SHORT COMPLIANT, 0.46±0.05 PTH)
6 = 4.50 (MICRO COMPLIANT, 0.39±0.05 PTH)
7 = 4.90 (MICRO COMPLIANT, 0.39±0.05 PTH)
8 = 5.50 (MICRO COMPLIANT, 0.39±0.05 PTH)

END WALL OPTIONS
0 = OPEN ENDS
1 = LEFT END WALL
2 = DUAL END WALL
3 = RIGHT END WALL

QUALITY SYMBOLS	THIS DRAWING CONTAINS INFORMATION THAT IS PROPRIETARY TO MOLEX ELECTRONIC TECHNOLOGIES, LLC AND SHOULD NOT BE USED WITHOUT WRITTEN PERMISSION									
▽ = 0	EC NO: 123283 DRWN: KUCHILA CHKD: KUCHILA APPR: PRAMASWAMY MIGRATED TO NX 2017/10/13 2017/10/13 2017/10/18	GENERAL TOLERANCES (UNLESS SPECIFIED)		DIMENSION UNITS	SCALE					
▽ = 0		ANGULAR TOL ± 0.5 °		mm	2.5:1					
▽ = 0		4 PLACES ±		DRWN BY	DATE	IMPACT 3 PAIR BACKPLANE UNGUIDED ASSEMBLY SALES DRAWING				
▽ = 0		3 PLACES ±		JBINGHAM	2011/11/16					
▽ = 0		2 PLACES ± 0.13		CHKD BY	DATE	PRODUCT CUSTOMER DRAWING				
▽ = 0		1 PLACE ± 0.25		JLAURX	2011/11/16					
▽ = 0		0 PLACES ±		APPR BY	DATE	SERIES MATERIAL NUMBER CUSTOMER 171292 SEE CHART GENERAL MARKET				
▽ = 0		DRAFT WHERE APPLICABLE MUST REMAIN WITHIN DIMENSIONS		JLAURX	2011/12/02					
▽ = 0		DRAWING SIZE		THIRD ANGLE PROJECTION	C		DOCUMENT NUMBER DOC TYPE DOC PART SHEET NUMBER SD-171292-0001 PSD 001 2 OF 3			



**IMPACT 3 PAIR
BOARD RELATIONSHIPS**



QUALITY SYMBOLS ▽ = 0 ▽ = 0 ▽ = 0 ▼ = 0 ▽ = 0 ⊠ = 0 ■ = 0 ▽ = 0	THIS DRAWING CONTAINS INFORMATION THAT IS PROPRIETARY TO MOLEX ELECTRONIC TECHNOLOGIES, LLC AND SHOULD NOT BE USED WITHOUT WRITTEN PERMISSION										
	MIGRATED TO NX EC NO: 123283 DRWN: KUCHILA CHKD: KUCHILA REV APPR: PRAMASWAMY	2017/10/13	2017/10/13	GENERAL TOLERANCES (UNLESS SPECIFIED)		DIMENSION UNITS	SCALE				
		2017/10/13	2017/10/18	ANGULAR TOL ± 0.5 °		mm	1:1				
		4 PLACES	±	DRAWN BY		DATE		IMPACT 3 PAIR BACKPLANE UNGUIDED ASSEMBLY SALES DRAWING			
		3 PLACES	±	JBINGHAM		2011/11/16					
		2 PLACES	± 0.13	CHKD BY		DATE					
	1 PLACE	± 0.25	JLAURX		2011/11/16		PRODUCT CUSTOMER DRAWING				
	0 PLACES	±	APPR BY		DATE		SERIES	MATERIAL NUMBER	CUSTOMER		
	DRAFT WHERE APPLICABLE MUST REMAIN WITHIN DIMENSIONS		C		THIRD ANGLE PROJECTION		171292	SEE CHART	GENERAL MARKET		
			DRAWING SIZE		THIRD ANGLE PROJECTION		DOCUMENT NUMBER		DOC TYPE	DOC PART	SHEET NUMBER
		C		THIRD ANGLE PROJECTION		SD-171292-0001		PSD	001	3 OF 3	