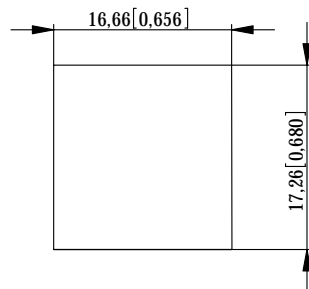


RECOMMENDED PANEL CUTOUT
EMPFOHLENER FRONTPLATTEN AUSSCHNITT



MATERIALS AND FINISH

HOUSING: GLASS FILLED POLYESTER UL 94 V-0 BLACK
 SHIELDING: Cu ALLOY, PLATED WITH Ni
 CONTACTS: PHOSPHOR BRONZE
 CONTACT FINISH: Au, 0.8 μm (30 μin) OVER Ni
 TERMINAL FINISH: Sn MATTE
 LED LENS: EPOXY

MECHANICAL CHARACTERISTICS

DURABILITY: 1000 MATING CYCLES
 OPERATING TEMPERATURE: 0°C TO 70°C

NOTE 1: RoHS COMPLIANT; PRINT "RC" WITH DATE CODE

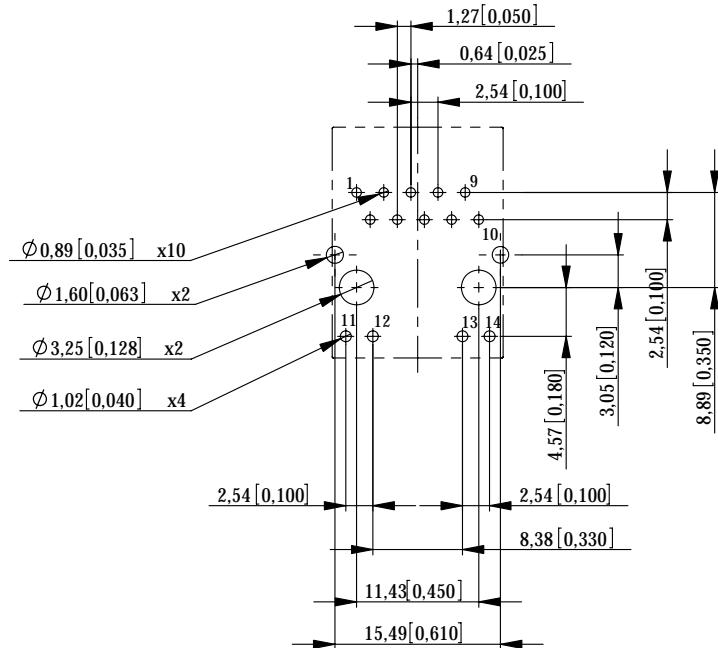
| NO. IDENT.-NR. | LED 2 LEFT LED 2 LINKS | LED 1 RIGHT LED 1 RECHTS | LED CODE |
|----------------|---------------------------|-----------------------------|----------|
| 203342 | YELLOW | GREEN | L1 |
| 203343 | GREEN | YELLOW | L2 |
| 203344 | GREEN | GREEN | L3 |
| 203345 | GREEN | RED | L4 |
| 203346 | ORANGE/GREEN | ORANGE/GREEN | L9 |

| | | | |
|--|------------|---|---|
| Information: SCHEMATIC NUMBER: M5B01 | | Tolerances | Scale 2:1 |
| All rights reserved. Only for Information. To insure that this is the latest version of this drawing, please contact one of the ERNI companies before using. | | Subject to modification without prior notice. Drawing will not be updated. | Designation MOD - JACK MJIMV 1x1,8C10T, VERTICAL, INT.MAG., LED |
| ERNI www.ERNI.com | | 203341 | |
| A | 30.03.2006 | 1 (1/2) | |
| Index | Date | A3 | |
| Class | | MAXMJ | |

Copyright protection reserved from ERNI AG

ELECTRICAL SCHEMATICS 1000 BASE T - M5B01
ELEKTRISCHER SCHALTPLAN

RECOMMENDED PCB LAYOUT (COMPONENT SIDE VIEW)
EMPFOHLENES LEITERPLATTEN-LAYOUT (BESTÜCKUNGSSEITE)
TOL ±0.05 [0.002] UNLESS NOTED



MAGNETICS SPECIFICATIONS @ 25°C

URNS RATIO: 1CT:1CT ±3%

OCL(100 KHz, 0.1 V, 8 mA) 350 µH MIN

INSERTION LOSS:

1-100 MHz -1.1 dB MAX

RETURN LOSS:

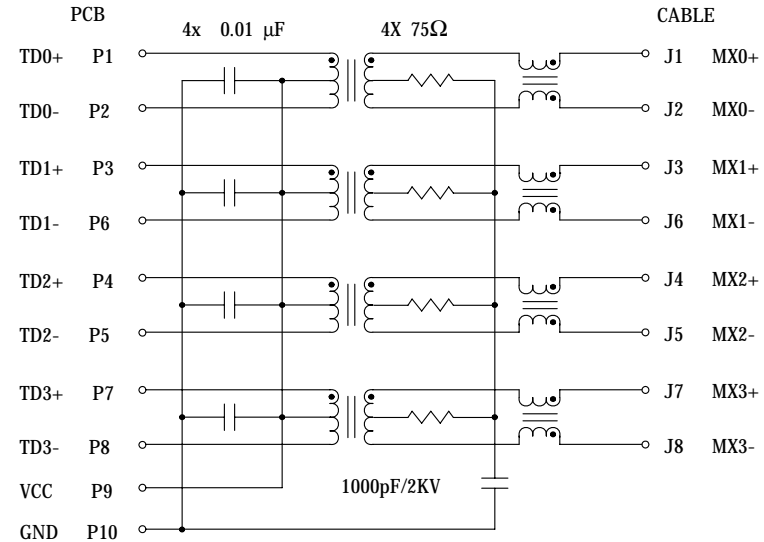
1-40 MHz -18 dB MIN
60 MHz -14 dB MIN
80 MHz -12 dB MIN
100 MHz -10 dB MIN

CROSSTALK:

1-100 MHz -35 dB TYP

CMR:

0.1 - 30 MHz -50 dB TYP
30 - 60 MHz -40 dB TYP
60 - 100 MHz -35 dB TYP
ISOLATION 1500 Vrms



LED SPECIFICATIONS
LED ANWEISUNG

| COLOR FARBE | V _f TYP | V _f MAX | I _f mA | CIRCUIT DIAGRAM SCHALTPLAN |
|----------------|-----------------------|-----------------------|----------------------|-------------------------------|
| YELLOW | 2.1 | 2.5 | 20 | |
| GREEN | 2.2 | 2.5 | 20 | |
| RED | 2.25 | 2.5 | 20 | |
| ORANGE/GREEN | 2.05/2.2 | 2.5 | 20 | |

| | | |
|--|---|---|
| Information: | Tolerances All Dimensions in mm | Scale 2:1 |
| All rights reserved. Only for Information. To insure that this is the latest version of this drawing, please contact one of the ERNI companies before using. | Subject to modification without prior notice. Drawing will not be updated. | Designation MOD - JACK MJIMV 1x1,8C10T,VERTICAL,INT.MAG., LED |
| www.ERNI.com | 203341 | 1 (2/2) A3 |
| Class | | MAXMJ |