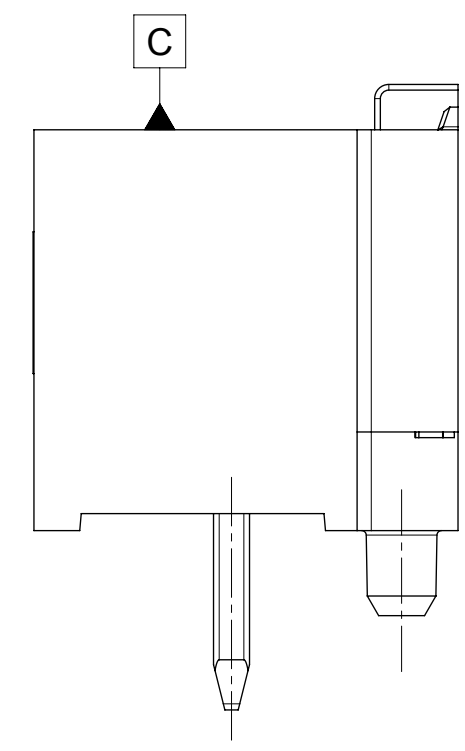
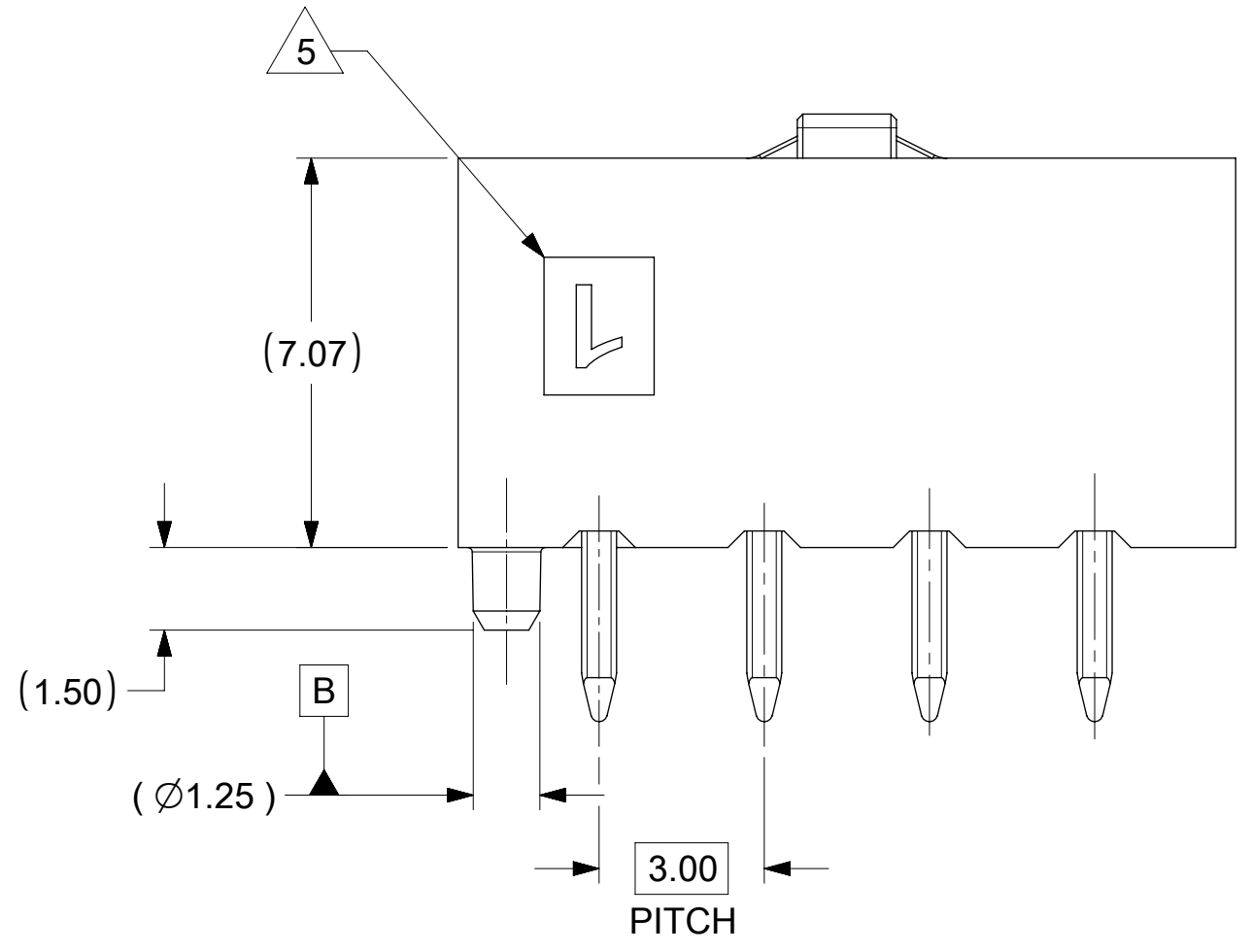
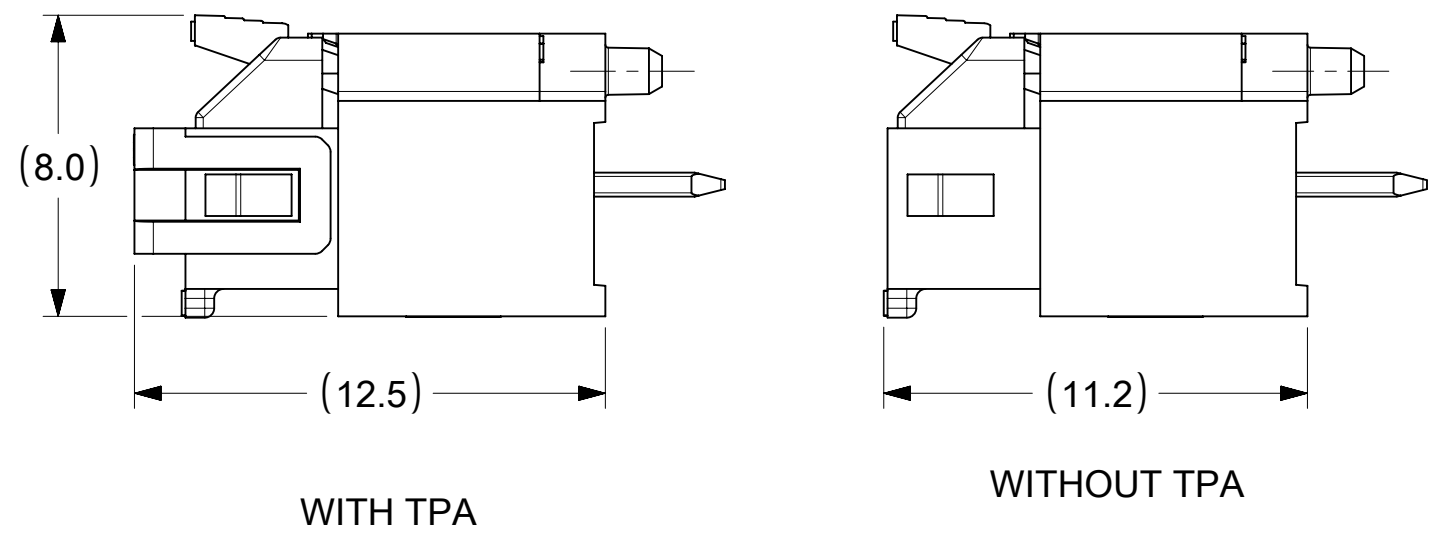


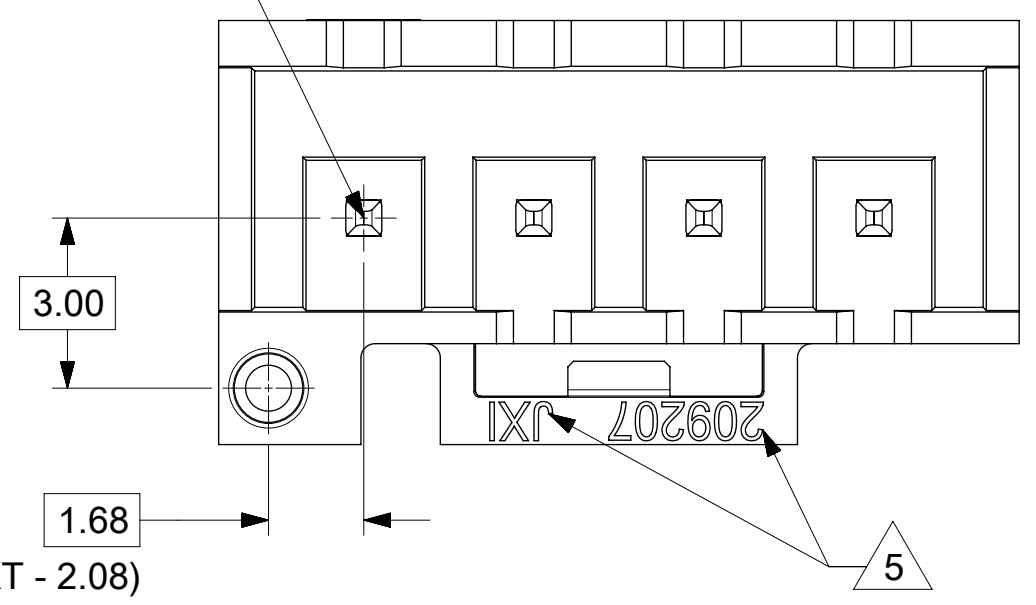
ISOMETRIC VIEW FOR 4 CKT
HEADER ASSEMBLY



ASSEMBLY DIMENSIONS



⊕ Ø0.40 C B



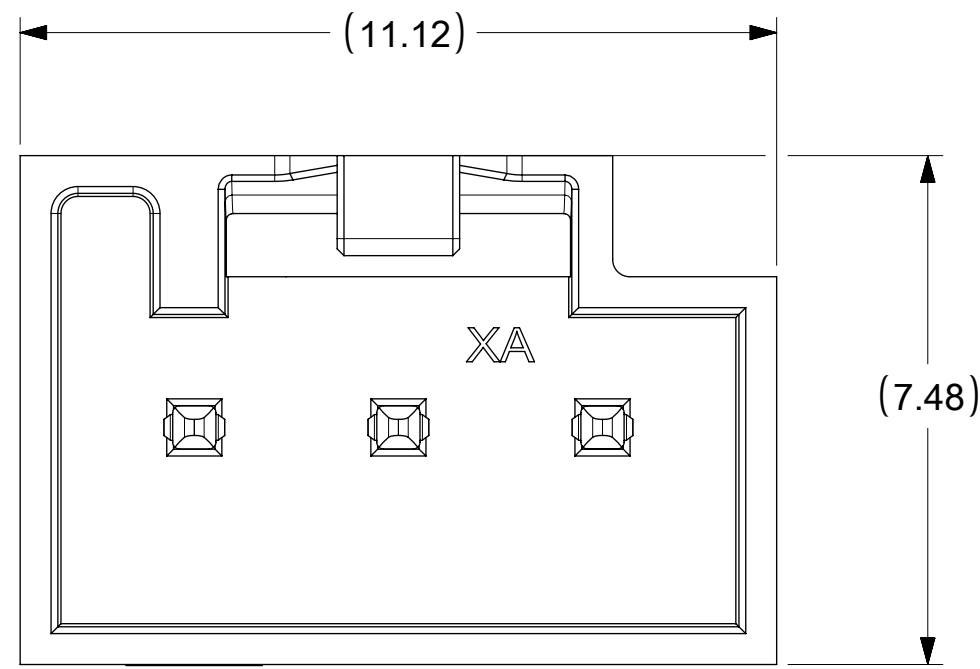
- NOTES:
- MATERIAL:
 - HOUSING: LIQUID CRYSTAL POLYMER, RATED UL 94V-0, COLOUR-BLACK
 - TERMINAL: COPPER ALLOY PLATING: TIN OVER NICKEL OVERALL.
 - PRODUCT SPECIFICATION: 2092080000-PS
 - PACKAGING SPECIFICATION: 2092080002-PK
 - COSMETIC SPECIFICATION: PS-45499-002 CLASS B
 - CIRCUIT ID, CAVITY ID, SERIES NUMBER, FACTORY ID LOCATION

HEADER ASSEMBLY PN	CKT	HOUSING PN	TERMINAL PN	DIM. "B"
2092080002	2	2092070002	2117310001	8.92
2092080003	3	2092070003		11.12
2092080004	4	2092070004		14.12

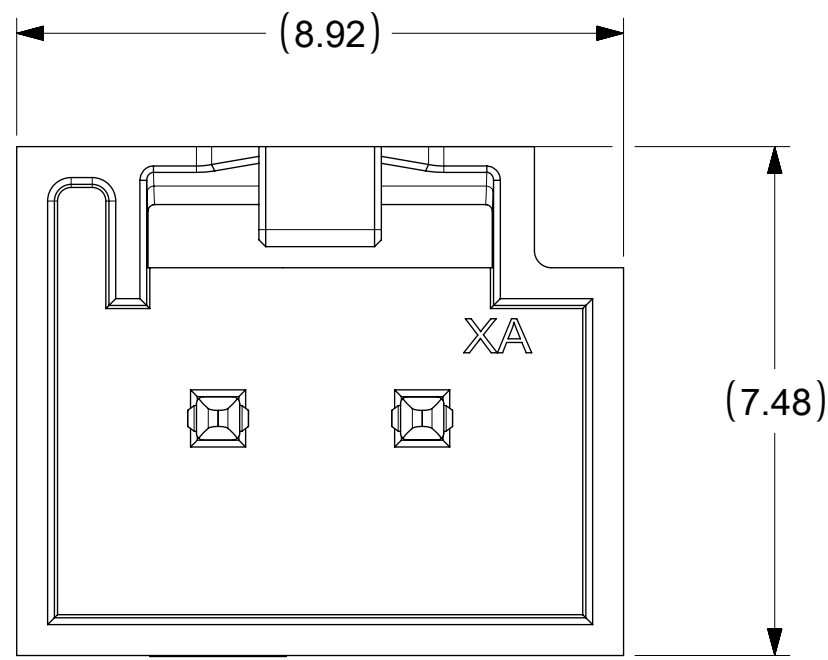
THIS DRAWING CONTAINS INFORMATION THAT IS PROPRIETARY TO MOLEX ELECTRONIC TECHNOLOGIES, LLC AND SHOULD NOT BE USED WITHOUT WRITTEN PERMISSION

DIMENSION UNITS	SCALE	CURRENT REV DESC:		molex			
mm	6:1						
GENERAL TOLERANCES (UNLESS SPECIFIED)				HEADER ASSEMBLY FOR KK PLUS 300 WTB CONNECTOR SYSTEM			
ANGULAR TOL ± °							
4 PLACES ±	EC NO: 707267		2022/05/16		PRODUCT CUSTOMER DRAWING		
3 PLACES ±	DRWN: SHRUTJ		2022/05/18				
2 PLACES ± 0.25	CHK'D: SHRUTJ		2022/05/19		DOCUMENT NUMBER		
1 PLACE ± 0.3	APPR: ISHWARG		INITIAL REVISION:				2092080000-SD
0 PLACES ±	DRWN: GSHARMA		2019/01/16		DOC TYPE		
DRAFT WHERE APPLICABLE MUST REMAIN WITHIN DIMENSIONS		THIRD ANGLE PROJECTION		DRAWING			DOC PART
		C-SIZE		SERIES		REVISION	
		209208		MATERIAL NUMBER		PSD 000 A2	
				CUSTOMER		SHEET NUMBER	
				GENERAL MARKET		1 OF 2	

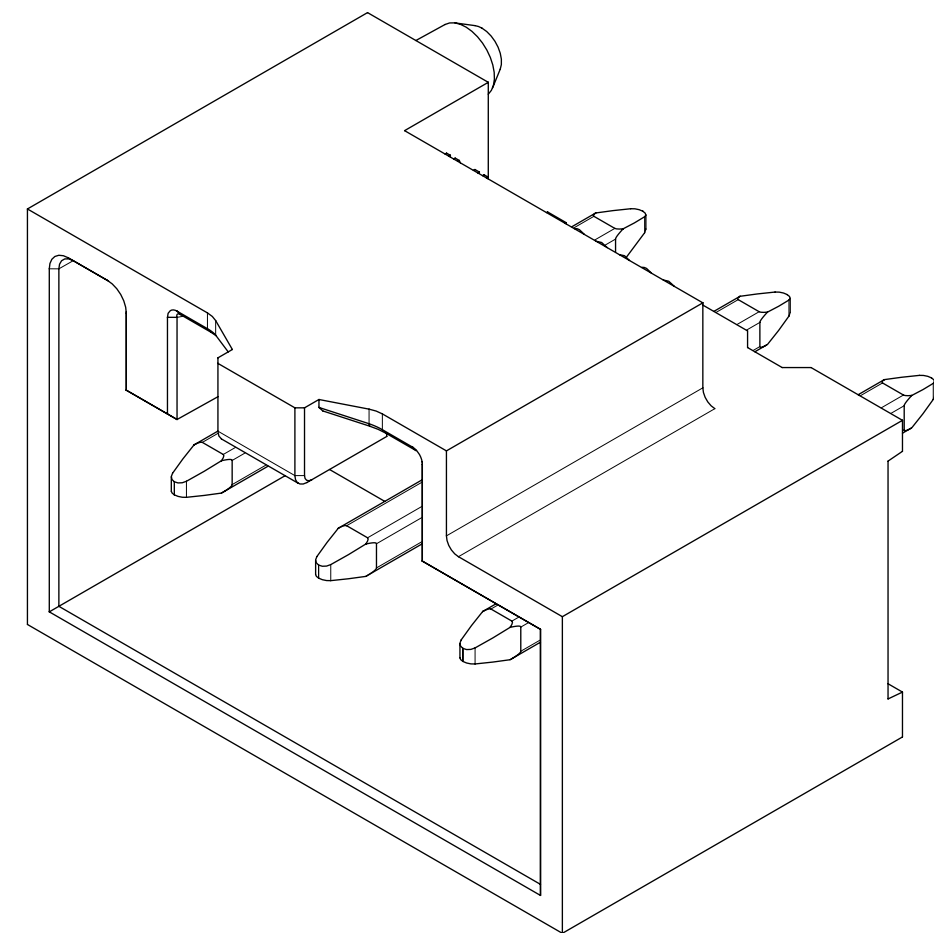
POLARIZATION



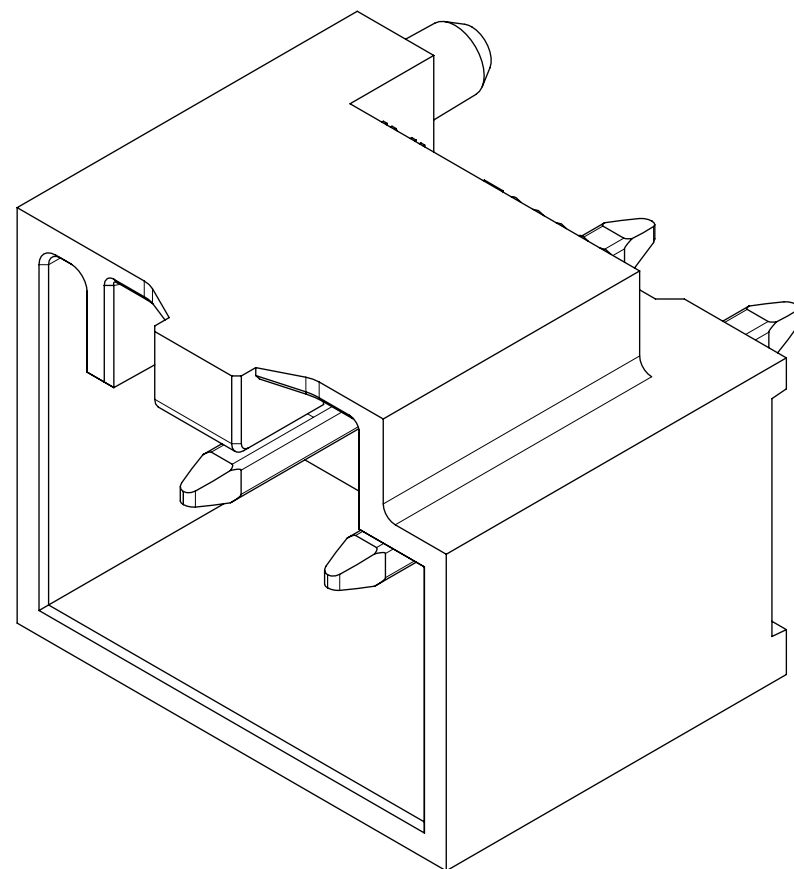
3 & 4 CKT HEADER ASSEMBLY



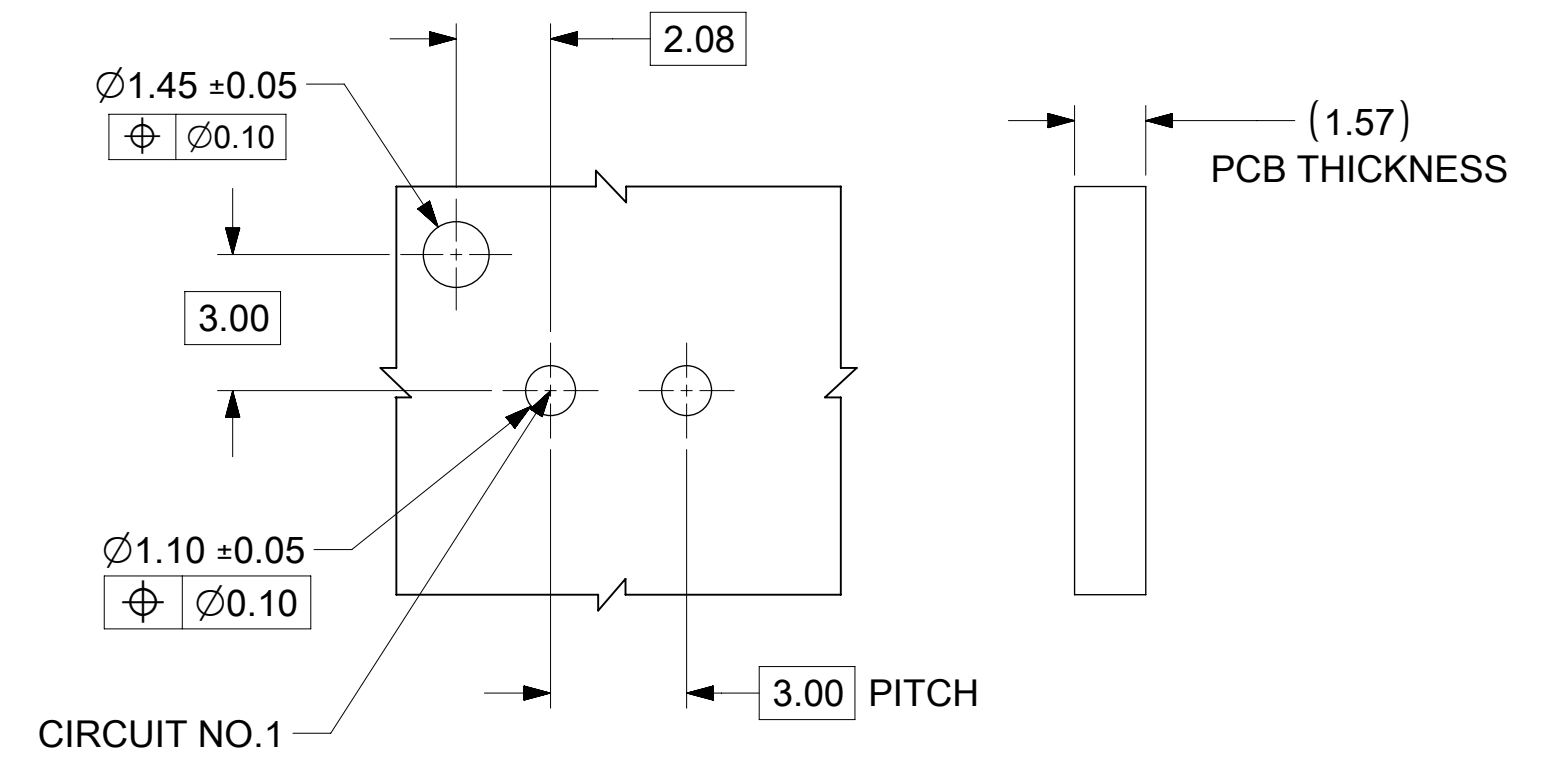
2 CKT HEADER ASSEMBLY



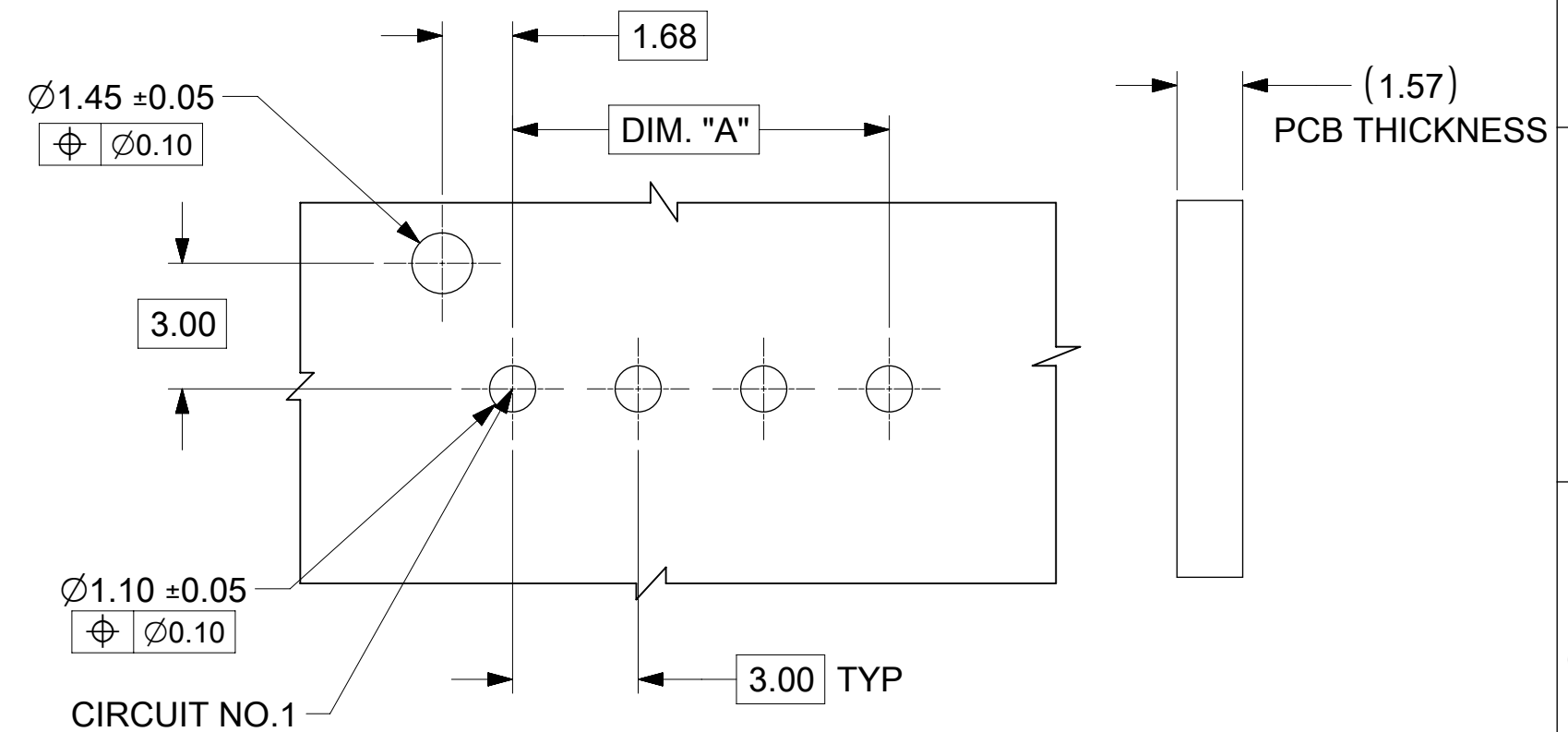
ISOMETRIC VIEW FOR
3 & 4 CKT HEADER ASSEMBLY



ISOMETRIC VIEW FOR
2 CKT HEADER ASSEMBLY



RECOMMENDED PCB HOLE LAYOUT
FOR 2CKT HEADER ASSEMBLY FROM MATING SIDE



RECOMMENDED PCB HOLE LAYOUT
FOR 3CKT & 4CKT HEADER ASSEMBLY FROM MATING SIDE

THIS DRAWING CONTAINS INFORMATION THAT IS PROPRIETARY TO MOLEX ELECTRONIC TECHNOLOGIES, LLC AND SHOULD NOT BE USED WITHOUT WRITTEN PERMISSION

DIMENSION UNITS		SCALE		CURRENT REV DESC:											
mm		8:1													
GENERAL TOLERANCES (UNLESS SPECIFIED)								HEADER ASSEMBLY FOR KK PLUS 300 WTB CONNECTOR SYSTEM							
ANGULAR TOL ± °								PRODUCT CUSTOMER DRAWING							
4 PLACES ±		EC NO: 707267		DRWN: SHRUTJ		2022/05/16		DOCUMENT NUMBER							
3 PLACES ±		CHK'D: SHRUTJ		APPR: ISHWARG		2022/05/19		2092080000-SD		DOC TYPE		DOC PART		REVISION	
2 PLACES ± 0.25		INITIAL REVISION:		DRWN: GSHARMA		2019/01/16		PSD		000		A2			
1 PLACE ± 0.3		APPR: ISHWARG		MATERIAL NUMBER		CUSTOMER		SHEET NUMBER							
0 PLACES ±		DRAFT WHERE APPLICABLE MUST REMAIN WITHIN DIMENSIONS		THIRD ANGLE PROJECTION		DRAWING		SERIES		GENERAL MARKET		2 OF 2			

DOCUMENT STATUS	P1	RELEASE DATE	2022/05/19	05:54:25
-----------------	----	--------------	------------	----------