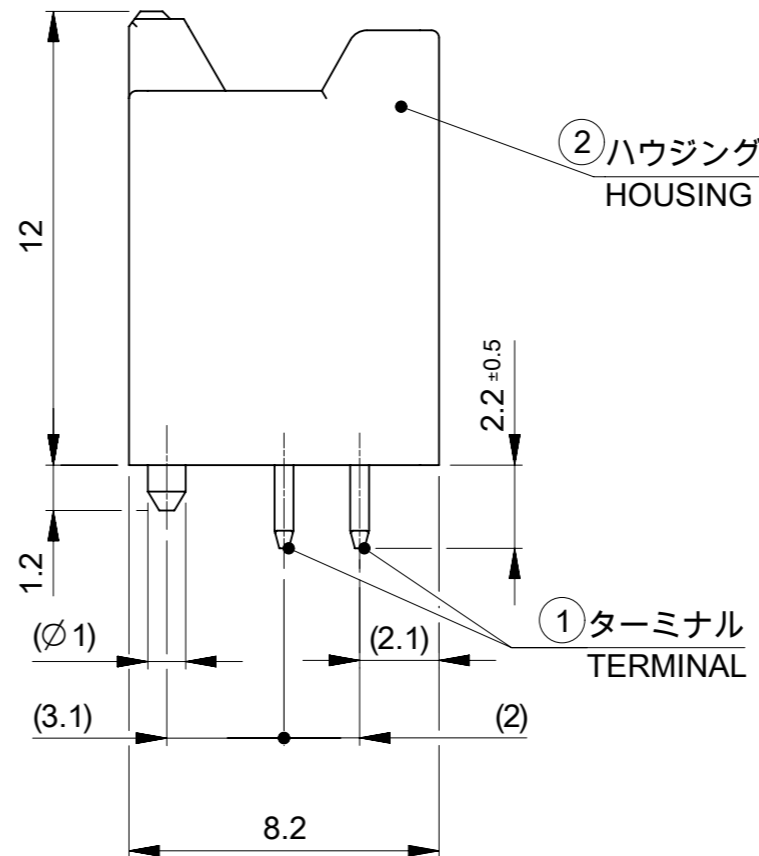
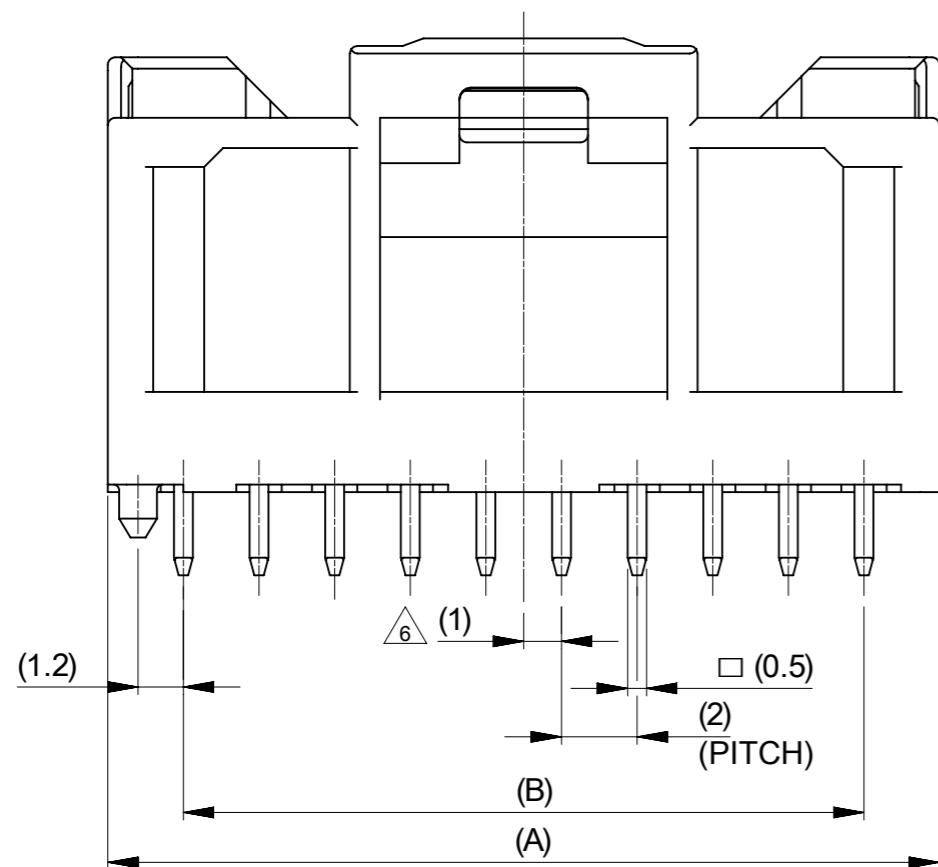
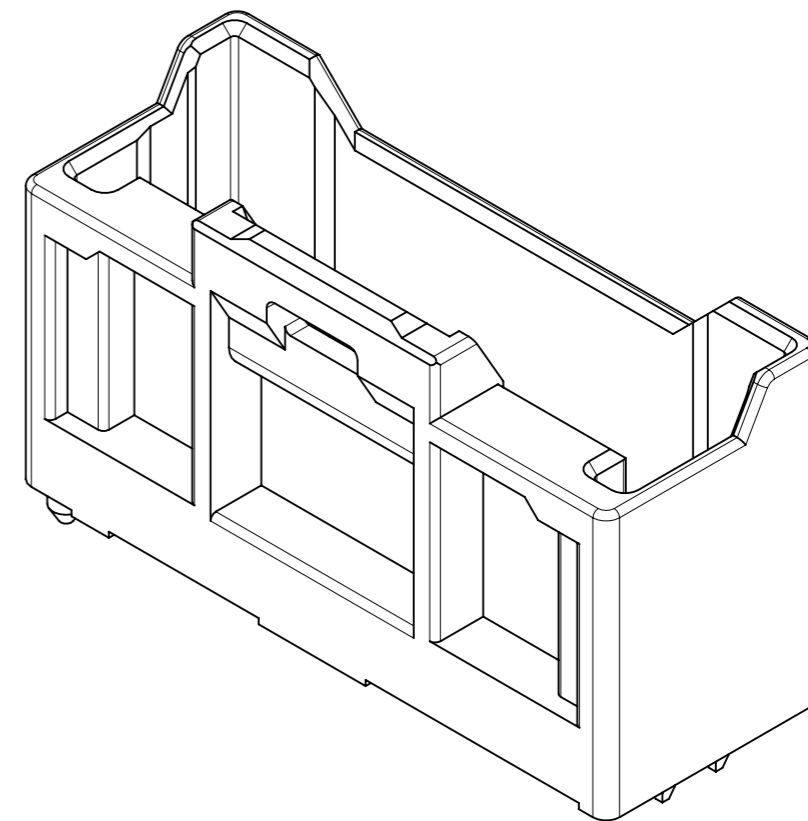
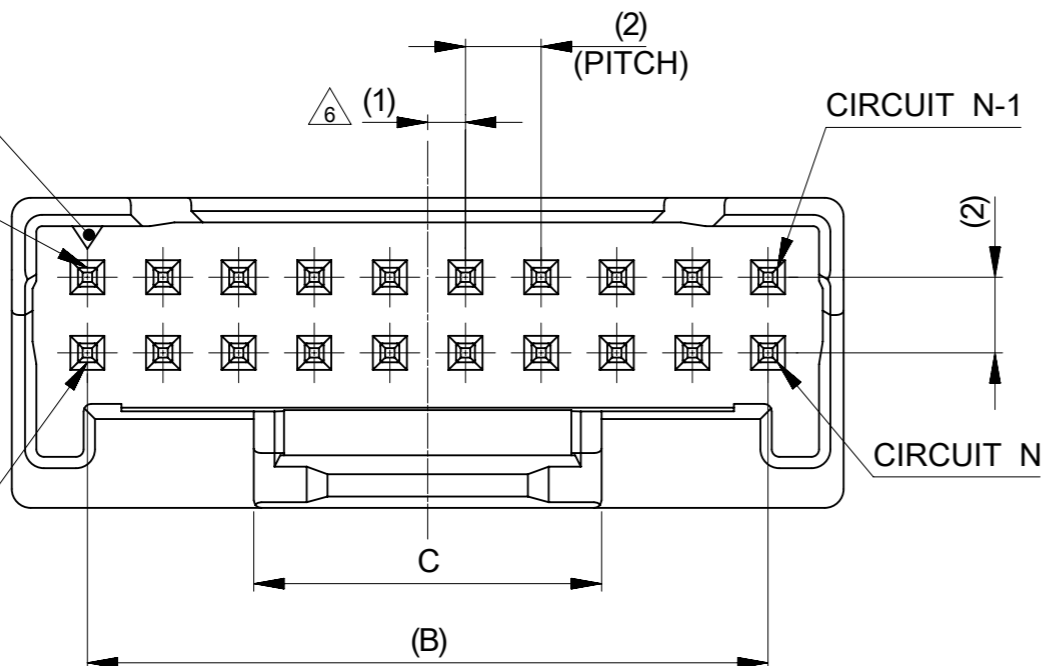


CIRCUIT 1  
INDICATOR MARK

CIRCUIT 1

CIRCUIT 2



9.2	38	42	501645	4050	40
9.2	36	40	↑	3850	38
9.2	34	38		3650	36
9.2	32	36		3450	34
9.2	30	34		3250	32
9.2	28	32		3050	30
9.2	26	30		2850	28
9.2	24	28		2650	26
9.2	22	26		2450	24
9.2	20	24		2250	22
9.2	18	22		2050	20
9.2	16	20		1850	18
9.2	14	18		1650	16
9.2	12	16		1450	14
9.2	10	14	↓	1250	12
7.3	8	12	501645	1050	10
C	B	A	発注番号 ORDER No.	極数 CIRCUIT SIZE	

TABLE 1

番号 No.	部品 PART	材質 MATERIAL
①	ターミナル TERMINAL	黄銅, BRASS
	コンタクト CONTACT	下地めっき UNDER PLATING 銅めっき 1.0 micro-meter MIN COPPER PLATING 1.0 micro-meter MIN
	テール SOLDER TAIL	無光沢錫めっき(リフロー処理) 1.0 micro-meter MIN MATTE TIN PLATING (REFLOW TREATMENT) 1.0 micro-meter MIN
②	ハウジング HOUSING	ポリアミド(PA)ガラス入り, UL94V-0, 色: ナチュラル (ホワイト) POLYAMIDE(PA) GLASS FILLED, UL94V-0, COLOR : NATURAL (WHITE)

THIS DRAWING CONTAINS INFORMATION THAT IS PROPRIETARY TO MOLEX ELECTRONIC TECHNOLOGIES, LLC AND SHOULD NOT BE USED WITHOUT WRITTEN PERMISSION

DIMENSION UNITS mm	SCALE NTS	CURRENT REV DESC:		<b>molex</b>		
GENERAL TOLERANCES (UNLESS SPECIFIED)		EC NO: 732484				
ANGULAR TOL ± 3.0°		4 PLACES ± 0.2		PRODUCT CUSTOMER DRAWING		
3 PLACES ± 0.2		DRWN: SNAKAMURA08 2022/12/15		DOCUMENT NUMBER		
2 PLACES ± 0.2		CHK'D: KOMURAKAMI 2023/03/03		DOC TYPE DOC PART REVISION		
1 PLACE ± 0.2		APPR: SAKIYAMA 2023/03/03		5016450002-SD PSD 000 B		
0 PLACES ± 0.2		INITIAL REVISION:		MATERIAL NUMBER CUSTOMER SHEET NUMBER		
DRAFT WHERE APPLICABLE MUST REMAIN WITHIN DIMENSIONS		DRWN: SNAKAMURA08 2019/10/01		SEE CHART GENERAL 1 OF 2		
THIRD ANGLE PROJECTION		APPR: KOMURAKAMI 2019/11/28		A3-SIZE 501645		

**NOTES.**

- 1. 材料及び仕上げ(めっき仕様) : TABLE 1 参照  
MATERIAL AND FINISHES : SEE TABLE 1
- 2. 製品仕様書 : PS-501646-001  
PRODUCT SPECIFICATION:PS-501646-001
- 3. 嵌合相手:  
MATES WITH:

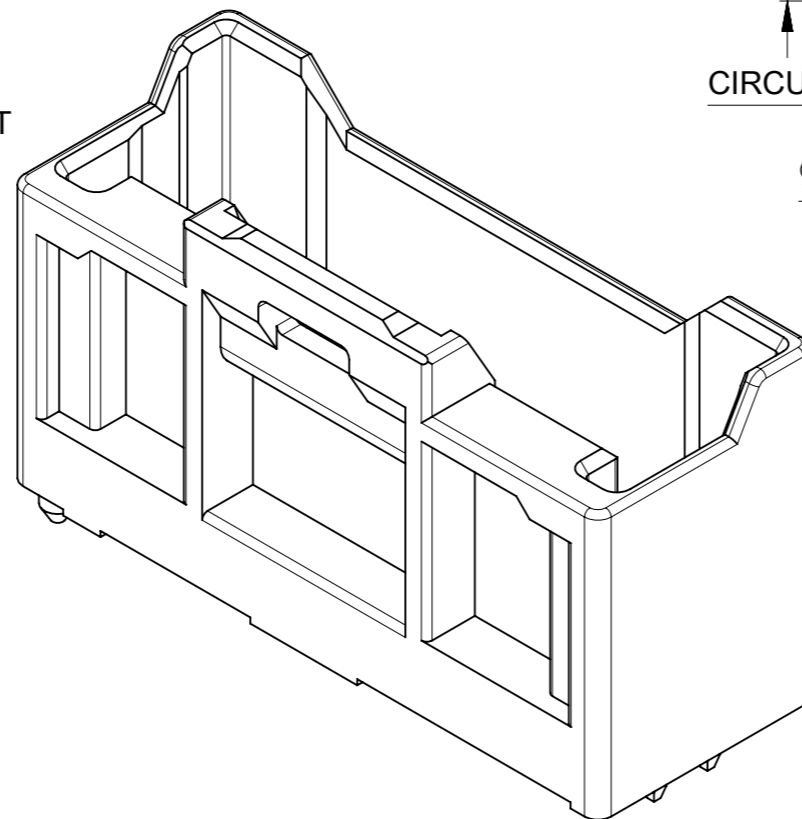
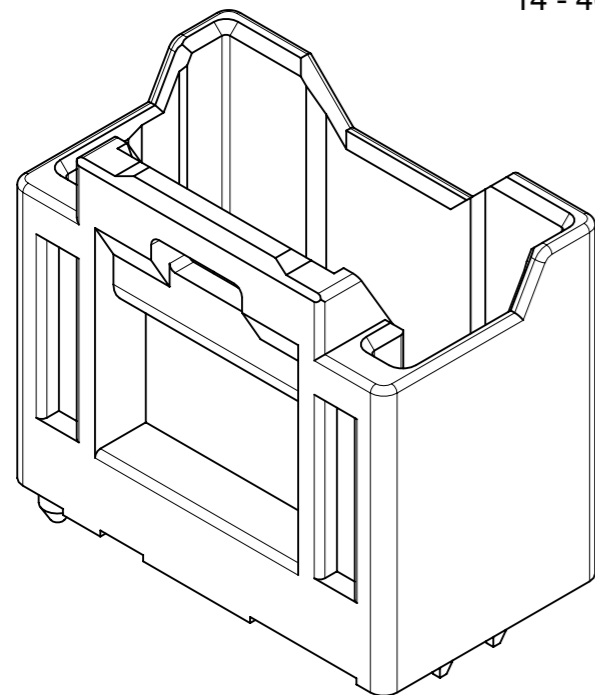
リセプタクルハウジング RECEPTACLE HOUSING	501646 SERIES	
圧着端子 RECEPTACLE CRIMP TERMINAL	AWG #22-26 錫めっき AWG #22-26 TIN PLATING	501647 SERIES
	AWG #26-28 錫めっき AWG #26-28 TIN PLATING	501648 SERIES

- 4. アプリケーション仕様書(コネクタ取扱い説明書) : 5016460000 PS A01  
APPLICATION SPECIFICATION(CONNECTOR MANNUAL): 5016460000 PS A01
- 5. 本製品は錫めっき品です。  
THIS PRODUCT IS A TIN PLATING.
- 6. 極数/2 = 偶数に適用  
APPLY FOR CIRCUIT SIZE / 2 =EVEN
- 7. ターミナルに錫めっきを使用している為、外観に摺動痕が付く場合があります。  
THE WOUND OF FRICTION MIGHT ADHERE TO EXTERNALS  
BECAUSE THE TIN PLATING IS USED FOR TERMINAL.
- 8. 梱包仕様書: SPK-501645-001  
PACKING INFORMATION : SPK-501645-001

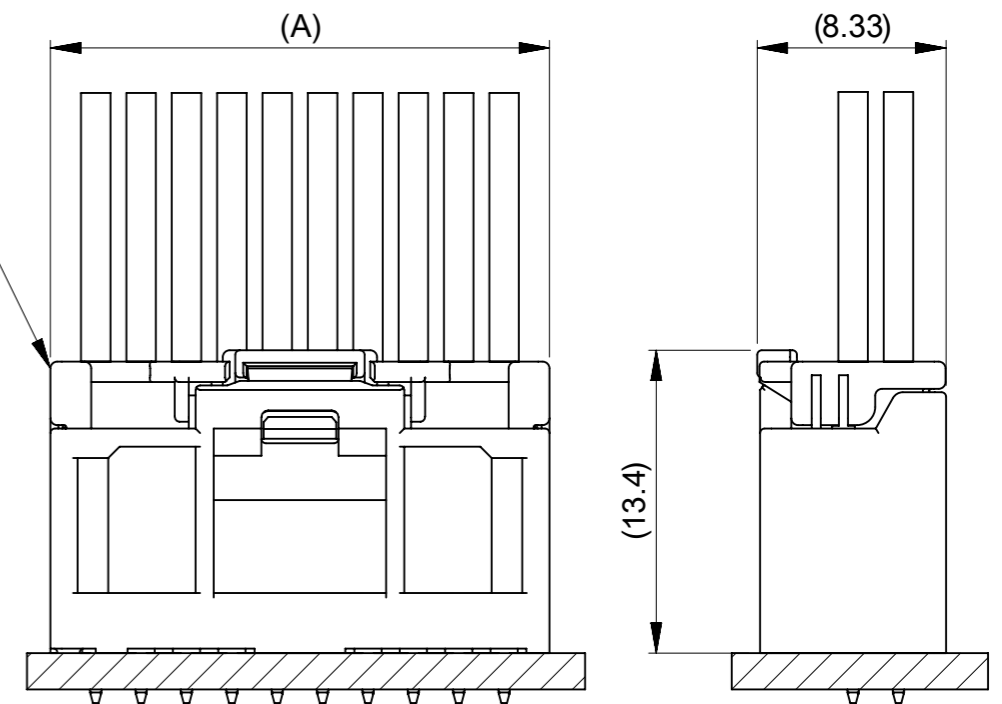
**製品形状  
PRODUCT SHAPE**

10 - 12極  
10 - 12 CIRCUIT

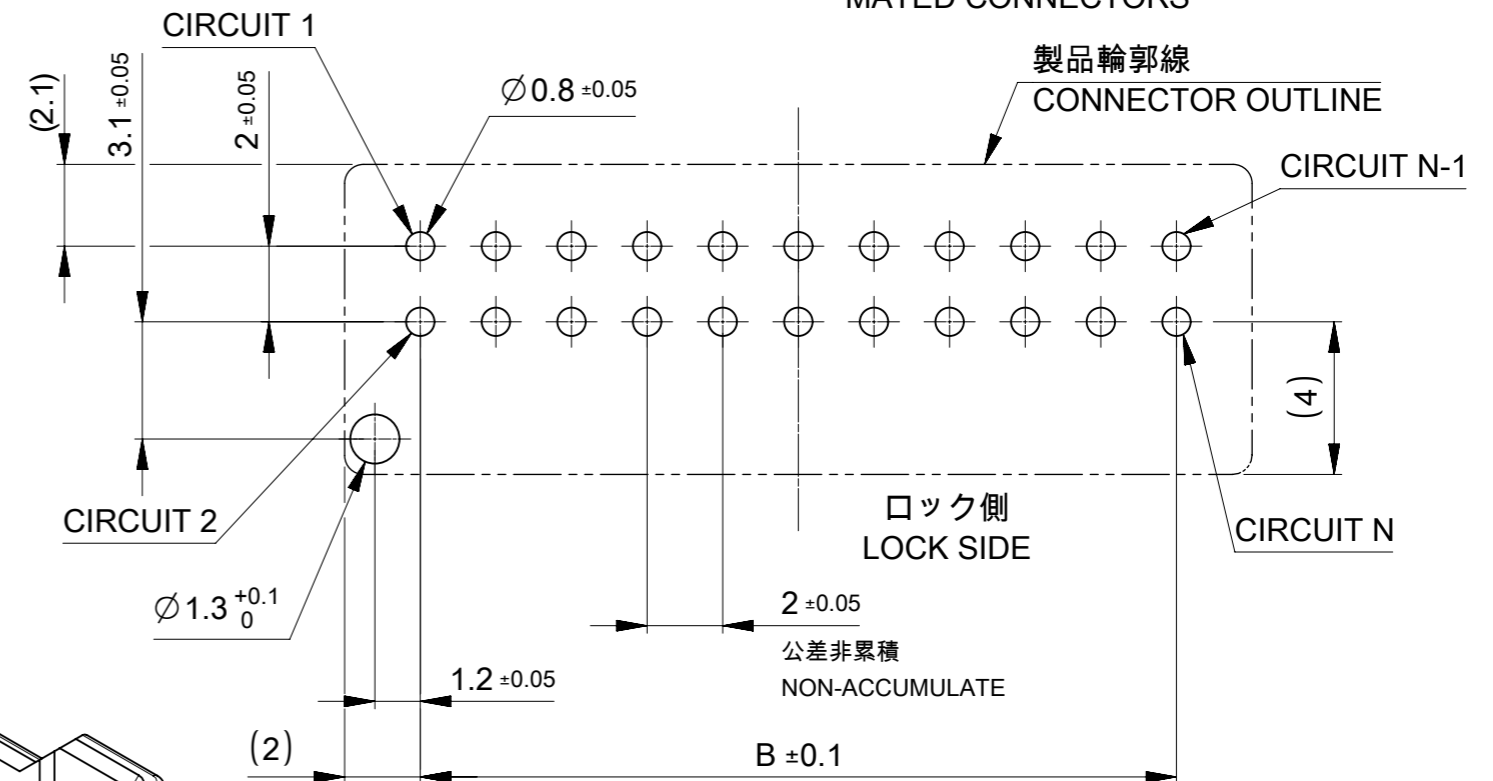
14 - 40極  
14 - 40 CIRCUIT



嵌合相手:501646シリーズ  
MATE WITH 501646 SERIES



嵌合状態図  
MATED CONNECTORS



基板取付穴推奨寸法(マウント面)

POLARIZED RECOMMENDED PWB LAYOUT HOLE DIMENSION (MOUNTING SIDE)

参考基板厚 t=1.2~1.6

REFERENCE PWB THICKNESS t=1.2~1.6

THIS DRAWING CONTAINS INFORMATION THAT IS PROPRIETARY TO MOLEX ELECTRONIC TECHNOLOGIES, LLC AND SHOULD NOT BE USED WITHOUT WRITTEN PERMISSION		CURRENT REV DESC:		<b>molex</b>	
DIMENSION UNITS	SCALE				
mm	NTS			IGRID 2.0 W/B PLUG ASSEMBLY VERTICAL TIN PLATING SHORT TAIL	
GENERAL TOLERANCES (UNLESS SPECIFIED)				PRODUCT CUSTOMER DRAWING	
ANGULAR TOL	± 3.0 °			DOCUMENT NUMBER	
4 PLACES	± 0.2	EC NO: 732484	2022/12/15	5016450002-SD	
3 PLACES	± 0.2	DRWN: SNAKAMURA08	2023/03/03	DOC TYPE	DOC PART
2 PLACES	± 0.2	CHK'D: KOMURAKAMI	2023/03/03	PSD	000
1 PLACE	± 0.2	APPR: SAKIYAMA	2023/03/03	REVISION	
0 PLACES	± 0.2	INITIAL REVISION:		B	
DRAFT WHERE APPLICABLE MUST REMAIN WITHIN DIMENSIONS		DRWN: SNAKAMURA08	2019/10/01	SHEET NUMBER	
THIRD ANGLE PROJECTION		APPR: KOMURAKAMI	2019/11/28	SEE SHEET 1	GENERAL
DRAWING		SERIES	MATERIAL NUMBER	CUSTOMER	
A3-SIZE		501645	SEE SHEET 1	GENERAL	