

4

3

2

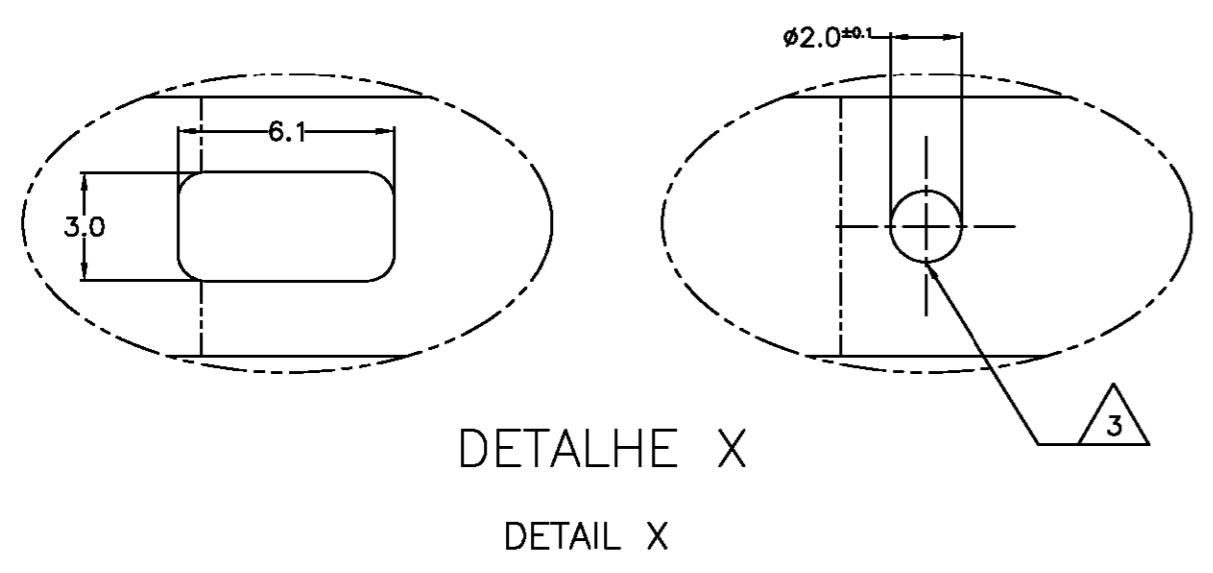
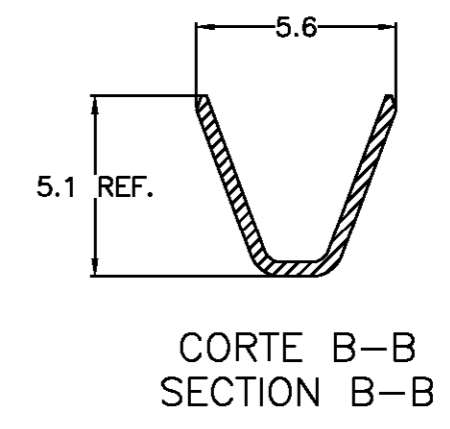
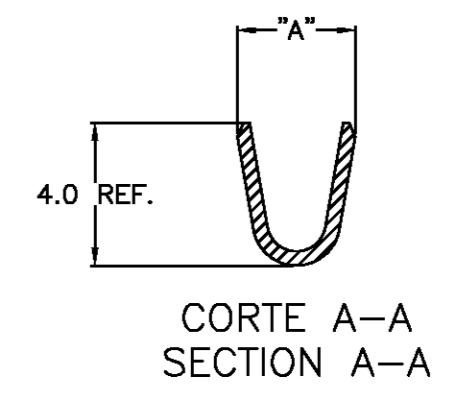
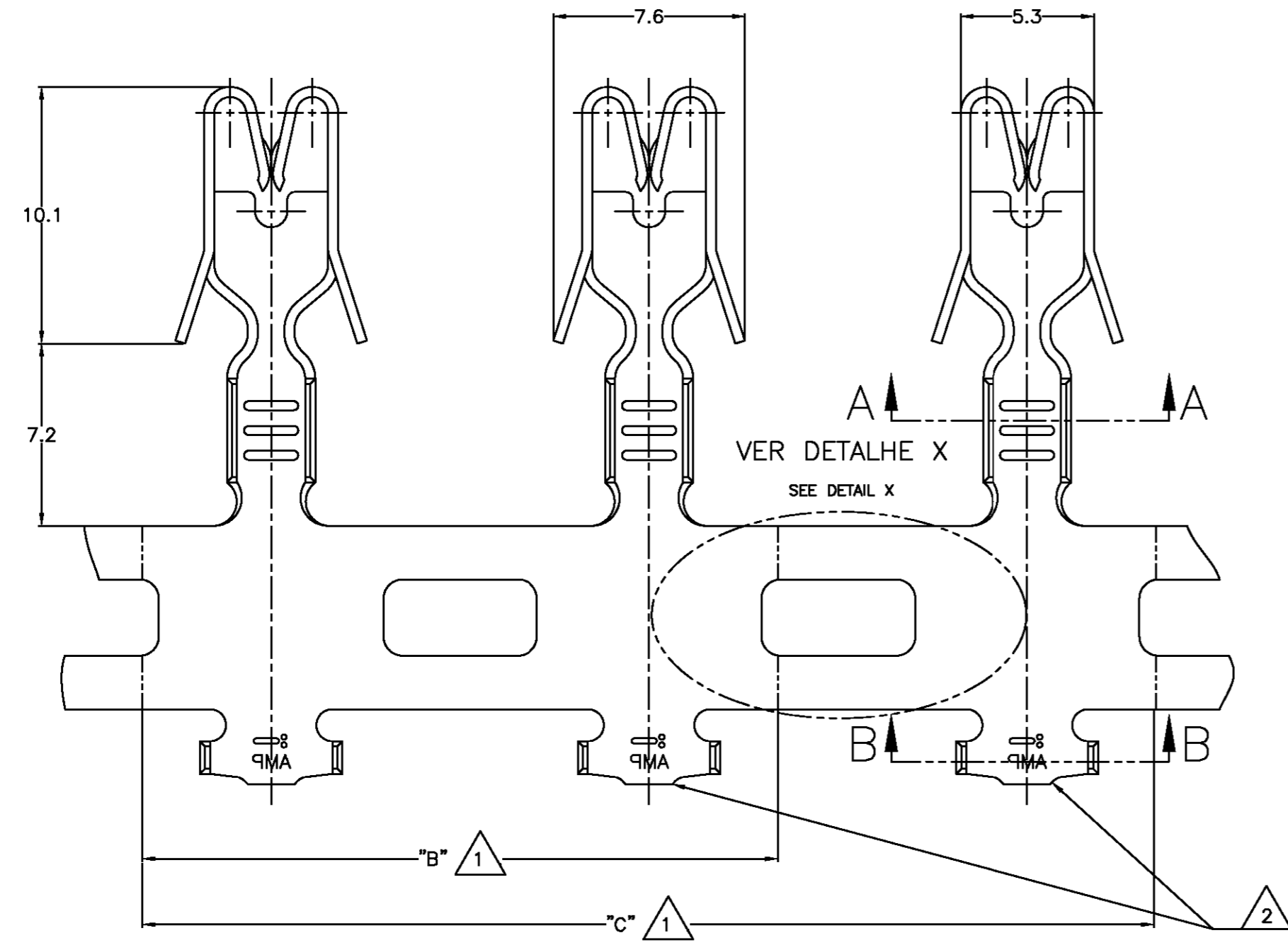
1

THIS DRAWING IS UNPUBLISHED. RELEASED FOR PUBLICATION .19
 © COPYRIGHT 19 BY AMP INCORPORATED. ALL RIGHTS RESERVED. DO NOT SCALE

CAD
 DO NOT REVERSE EXCEPT BY CAD

LOC AP DIST

REVISIONS			DATE	DWN	APVD
P	LTR	DESCRIPTION			
G		REDRAWN BY CAD ECLB0108/99	28APR99	HL	PLF
H		REVISED BY ECLB0067/00	11DEC00	AP	PLF
H1		REVISED PER ECO-09-026444	27NOV09	KK	AEG



OBSOLETE →	40,2	-/-	3,9	3	ESTANHADO/TIN PLATED	LATÃO/BRASS	H	1-626499-4	3
OBSOLETE →	40,2	-/-	3,9	3	-----/-----	LATÃO/BRASS	H	1-626499-3	3
OBSOLETE →	40,2	-/-	3,6	3	ESTANHADO/TIN PLATED	LATÃO/BRASS	H	1-626499-2	
4	40,2	-/-	3,6	3	-----/-----	LATÃO/BRASS	H	1-626499-1	
OBSOLETE →	-/-	25,2	3,9	2	ESTANHADO/TIN PLATED	LATÃO/BRASS	H	626499-4	3
	-/-	25,2	3,9	2	-----/-----	LATÃO/BRASS	H	626499-3	3
	-/-	25,2	3,6	2	ESTANHADO/TIN PLATED	LATÃO/BRASS	H	626499-2	
	-/-	25,2	3,6	2	-----/-----	LATÃO/BRASS	H	626499-1	
	"C"	"B"	"A"	NÚMERO DE CONTATOS NUMBER OF CONTACTS	ACABAMENTO FINISH	MATERIAL	PART REV.	PART NUMBER	
	DIMENSÃO/DIMENSION								

- 1 - DIMENSÃO DE CORTE PARA APLICADOR
APPLICATOR CUT DIMENSION
- 2 - USO OPCIONAL, DE ACORDO COM A NECESSIDADE DO CLIENTE
OPTIONAL USE, ACCORDING TO THE CUSTOMER'S NEED
- 3 - PARA AMP ITÁLIA SOMENTE
FOR AMP ITALY ONLY
- 4 - OBSOLETE PARTS: OBSOLETE CIS STREAMLINING PER D.RENAUD/D.SINISI

THIS DRAWING IS A CONTROLLED DOCUMENT.

DWN H.LIVERARO 22APR99	 AMP do BRASIL Ltda. São Paulo - Brasil
CHK P.L.FARIA 28APR99	
APVD F.ALEXANDRONI 28APR99	
NAME	
PRODUCT SPEC	FUSE CONTACT
APPLICATION SPEC	
WEIGHT	
SIZE A2	CAGE CODE 00779
DRAWING NO C-626499	RESTRICTED TO
CUSTOMER DRAWING	SCALE 5:1 SHEET 1 OF 1 REV H1