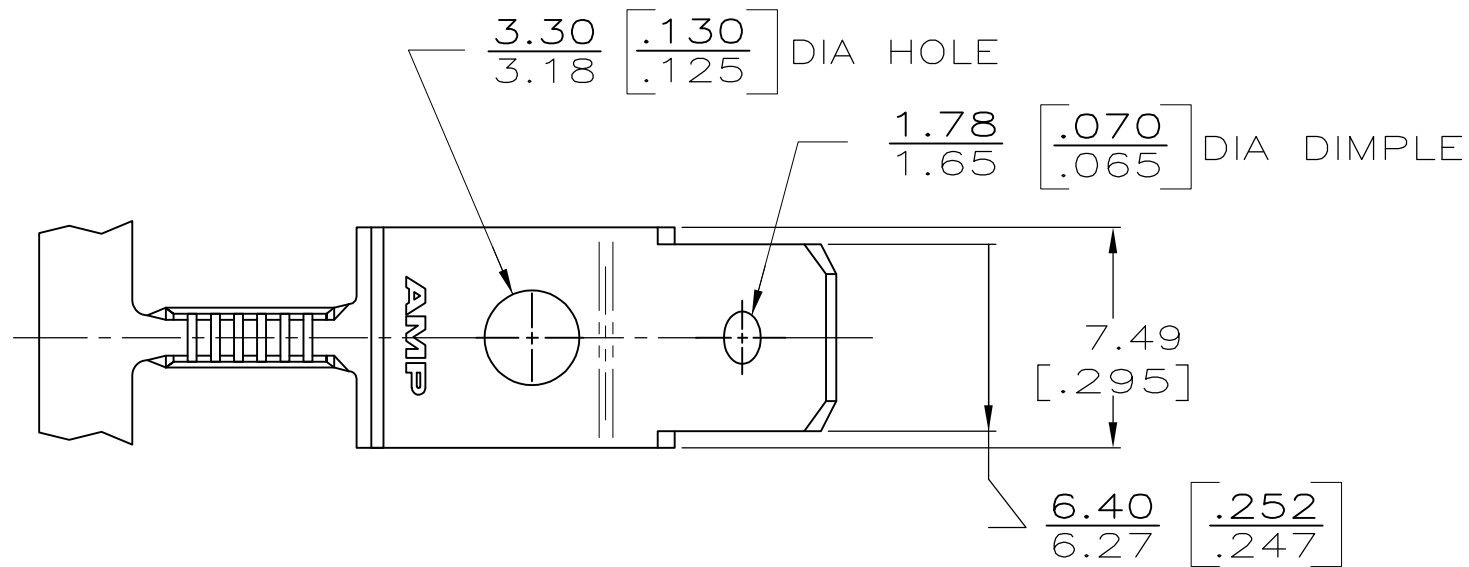
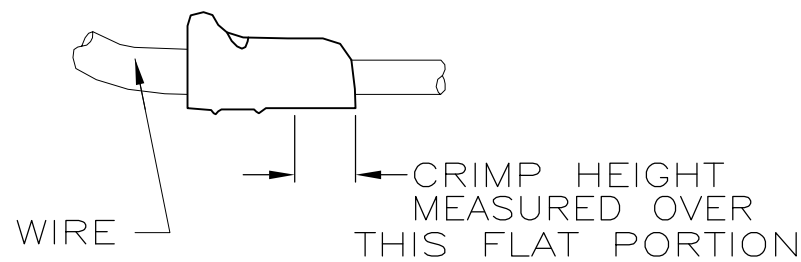
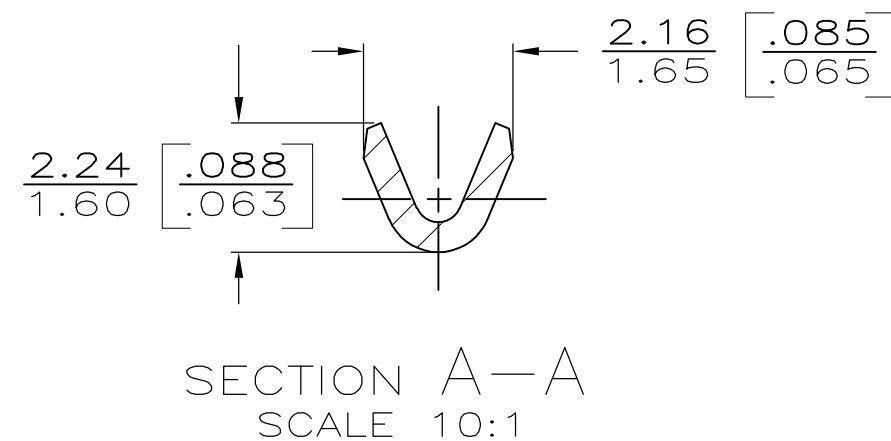
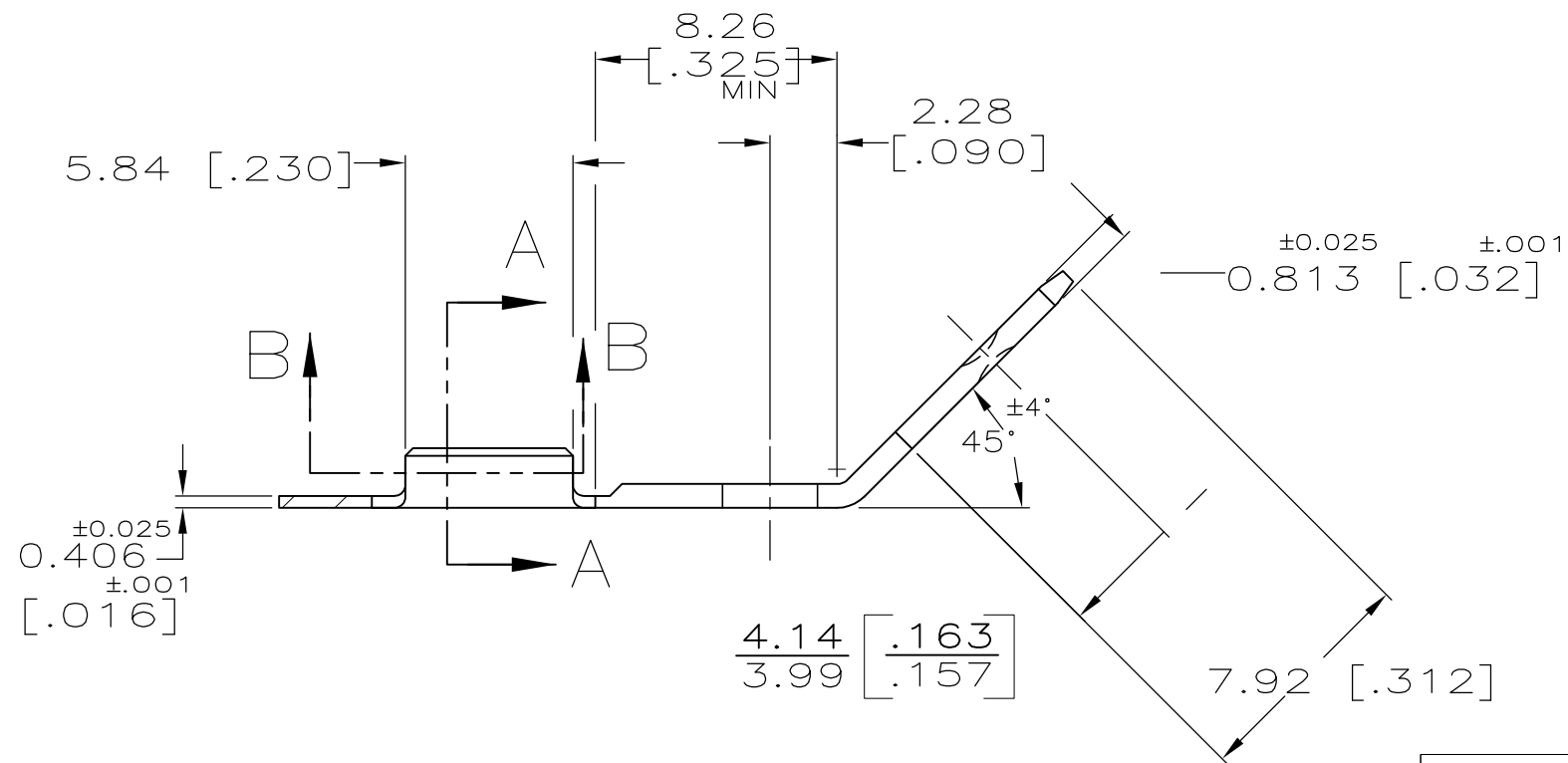


THIS DRAWING IS UNPUBLISHED. RELEASED FOR PUBLICATION ,19  
 © COPYRIGHT 19 BY AMP INCORPORATED. ALL INTERNATIONAL RIGHTS RESERVED.

LOC	DIST	P	F	REVISIONS				
AF	50			ZONE	LTR	DESCRIPTION	DATE	APPD
					P	REVISE PER ECR-13-013738	2/15/14	GRZ/JL



- CONTINUOUS STRIP ON REELS.
- TAB DIMENSIONS ARE IN ACCORDANCE WITH NEMA DC-2 STD.



DO NOT SCALE PRINT. UNLESS SPECIFIED. DIMENSIONS IN mm [INCHES]		DR 2/7/91 JR RUTH	200-566 CMA	63136-1
TOLERANCES ON:		CHK 2/7/91 P FORTNEY	WIRE RANGE	PART NO
2 PLC DEC ± 0.25 [.010]		APPD 2/7/91 R BEAVER	<b>AMP</b> AMP Incorporated Harrisburg, PA 17105-3608	
3 PLC DEC ± -		APPD 2/7/91 D REINER	NAME TAB, FASTON™ AMPLIVAR, 6.35 [.250] SERIES	
ANGLES ± -		PRODUCT SPEC -	SIZE B	CAGE CODE 00779
MATERIAL BRASS		APPLICATION SPEC -	SCALE 4:1	DRAWING NO 63136
FINISH TIN 0.002032 [.000080] MIN WITH VARNISH RESIST		WEIGHT -	SHEET 1 OF 1	